

3403

BRONZE SADDLE FOR C900

*DR25 (CL 100) and DR18 (CL 150)

BODY CASTINGS: Waterworks Bronze (85-5-5-5) per ASTM B584 and AWWA C800.

FASTENERS: Silicon Bronze per ASTM B98.

GASKET: NBR per ASTM D2000; Patented TwinSeal® dual o-ring design incorporating both hydrostatic and mechanical forces to affect a dynamic seal, with a temperature range of -40°F to +248°F.



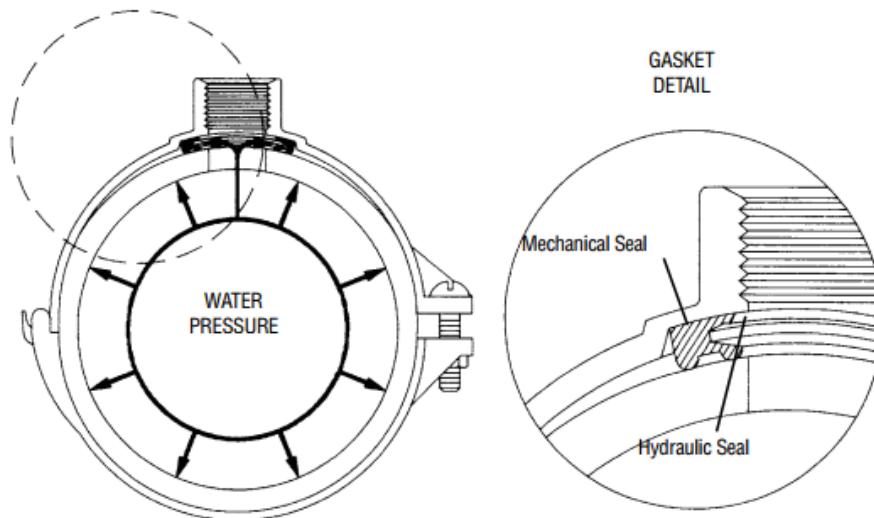
MEETS
AWWA
C800

Nominal Pipe Size		Pipe OD Range		Part number	Outlet Size / List price	
Inches	MM	Inches	MM		3/4 CC - 3/4 NPT 1 CC - 1 NPT	1 1/4 CC - 1 1/4 NPT 1 1/2 CC - 1 1/2 NPT 2 CC - 2 NPT
4	100	4.80	122	3403040+Outlet size+H+Code	\$117.40	\$212.40
6	150	6.90	175	3403060+Outlet size+H+Code	\$142.30	\$285.40
8	200	9.05	230	3403080+Outlet size+H+Code	\$180.20	\$333.30
10	250	11.10	282	3403100+Outlet size+H+Code	\$259.30	\$519.50
12	300	13.20	335	3403120+Outlet size+H+Code	\$323.20	\$592.30

HOW TO ORDER: Choose nominal pipe size x outlet size and thread configuration.

EXAMPLE: 4" C900 O.D. 4.80 with 3/4 CC outlet. Order 3403 - 4 x 3/4 CC.

Part Number: 3403040075HB .



Outlet	Outlet size	Thread standard	Outlet code
3/4	075	NPT	C
		CC	B
1	100	NPT	E
		CC	D
1 1/4	125	NPT	G
		CC	F
1 1/2	150	NPT	I
		CC	H
2	200	NPT	K
		CC	J

IP = NPT CC=AWWA

PowerSeal's patented dual o-ring TwinSeal® gasket incorporates both hydrostatic and mechanical forces to affect a positive seal on all pipe surfaces. As the distribution system's pressure increases, the tightness of the seal is equally increased. This unique design compensates for expansion and contraction due to pressure or temperature variances in water mains and service lines.