



**PowerSeal**  
PIPELINE PRODUCTS CORPORATION

# SERVICE SADDLES

## CAST STAINLESS STEEL SADDLE

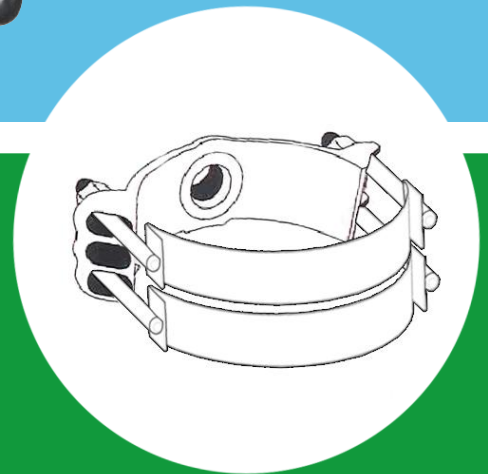
3417AS / 3417AS-SW



Model 3417AS



- Cast Stainless Steel body 18-8 per ASTM A743.
- One side closed lug allows preassembly
- Eliminates vulnerable epoxy coatings.
- Patented TwinSeal gasket design
- Various saddle straps available
- For use on PVC, DI, Cast and AC pipes



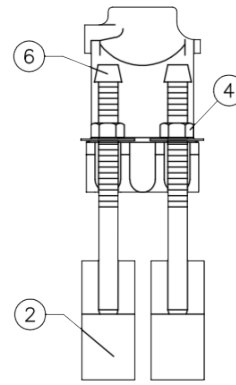
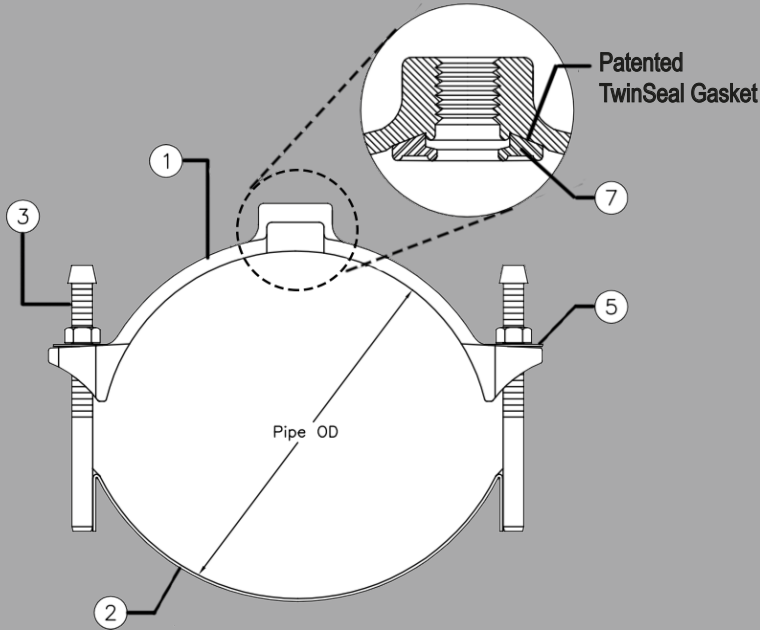
**1-800-800-0932**

www.powerseal.com • 701 Pleasant View Drive Wichita Falls, TX 76306 • 9407675566 fax: 9407238378

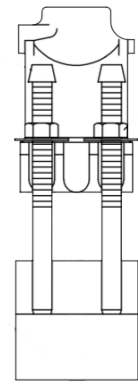
**FITTING SOLUTIONS FOR HARSH ENVIRONMENTS**



## COMPONENT REFERENCE



3417AS  
Double Wide Strap



3417AS - SW  
Single Wide Strap

## FEATURES & BENEFITS

- Heavy duty cast stainless steel construction.
- Patented "Twinseal" o-ring gasket (nitrile).
- Wide range.
- Time proven design.
- Available with NPT or AWWA (CC) threads.
- Straps - heavy gauge corrosion resistant stainless steel.
- Heavy hex nuts and washers.
- Double strap models straps are 1 1/2" wide, single wide models straps range from 3" to 5" according to diameter.

## MATERIAL SPECIFICATIONS

ITEM	QTY	PART NUM	MATERIAL	MAT. SPEC.
1	1	Saddle	Stainless Steel Type 304	ASTM A240
2	2	Strap	Stainless Steel Type 304	ASTM A240
3	4	Bolt	Stainless Steel Type 304	ASTM A193
4	4	Heavy-Hex Nut	Stainless Steel Type 304	ASTM A193
5	4	Washer	Stainless Steel Type 304	ASTM A240
6	4	Thread Cap	Plastic	701-89 Black
7	1	Gasket *	Nitrile (NBR)	ASTM D2000

\* Patented TwinSeal

# 1-800-800-0932

www.powerseal.com • 940-767-5566 fax: 940-723-8378  
701 Pleasant View Drive Wichita Falls, TX 76306



## FITTING SOLUTIONS FOR HARSH ENVIRONMENTS