



# 3506AS

## ALL STAINLESS POWERMAX

Wide range coupling

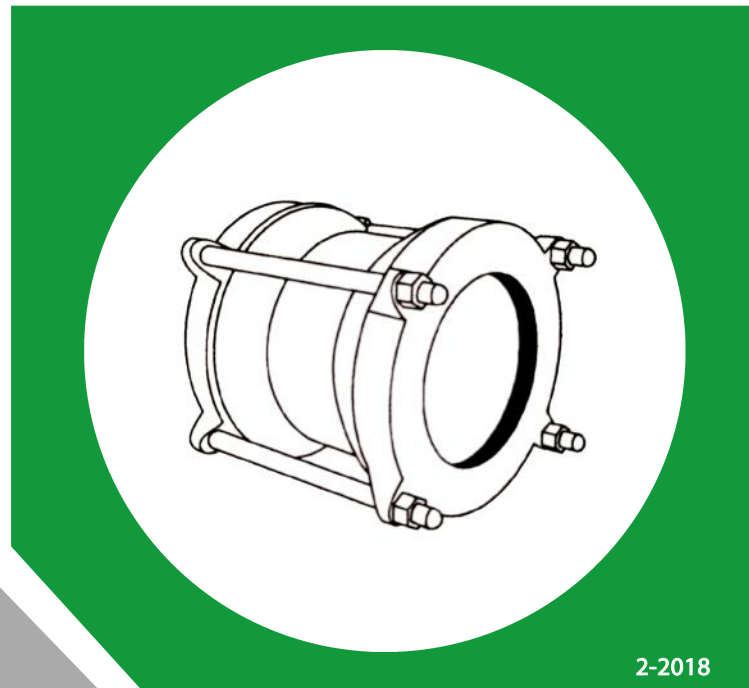


Model 3506AS



Never go to the site with the wrong coupling

- 100% Stainless Steel
- No coating to chip
- Exceptional resistance to corrosion
- No dissimilar metals
- Pipe sizes 2 - 12 inch
- 5/8 inch bolts allow use of common waterworks wrench
- Angular deflection up to 8°
- STAB-FIT (no disassembly required)
- Largest gasket sealing area available
- American design for American markets
- Lightweight
- Up to 350 psi working pressure
- Longest "standard" SST barrel in the industry
- Long life construction without relying on special coating
- Meets applicable AWWA C119

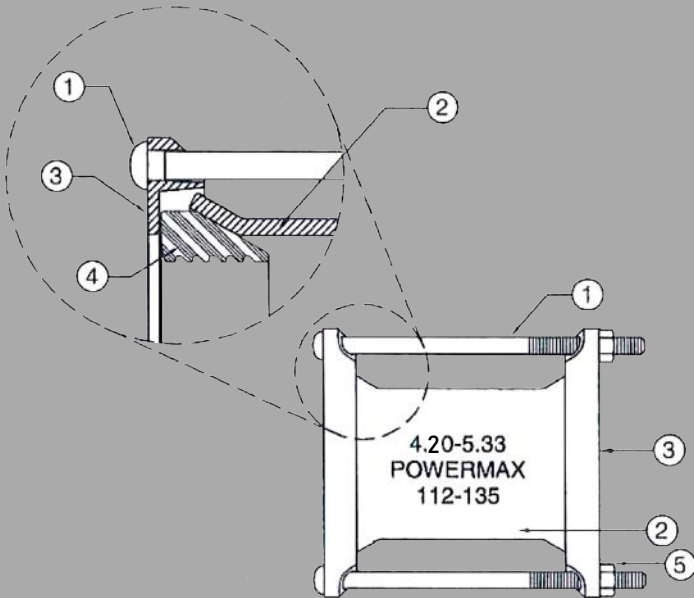


2-2018

# 1-800-800-0932



## COMPONENT REFERENCE



### FEATURES AND BENEFITS

- 100% Stainless Steel construction provides maximum corrosion resistance eliminating the need for special coatings.
- One range fits all pipe OD's, IPS PVC to Rough Barrel AC.

### OD CHART

PIPE SIZE		PIPE O.D. RANGES		WEIGHT		BARREL LENGTH		BOLT QTY
in.	mm.	in.	mm.	lbs.	kgs.	in.	mm.	
2	50	A	2.30 - 2.90	2.30 2.90	11	5	6 125	2
3	80	A	3.40 - 4.20	3.40 - 4.20	14	6.5	6 125	3
4*	100	A	4.20 - 5.33	4.20 - 5.33	18	8.5	6 150	4
6*	150	A	6.25 - 7.45	6.25 - 7.45	24	11	6 150	5
8*	200	A	8.40 - 9.79	8.40 - 9.79	40	18.5	10 150	6
10	250	A	10.70 - 12.12	10.70 - 12.12	46	21	10 150	7
12	300	A	12.75 - 14.38	12.75 - 14.38	56	25.5	10 150	8

\* Pipe diameters less than IPS/STEEL rated up to 50 psi work pressure

### MATERIAL SPECIFICATIONS

#### ASSEMBLY BILL OF MATERIALS

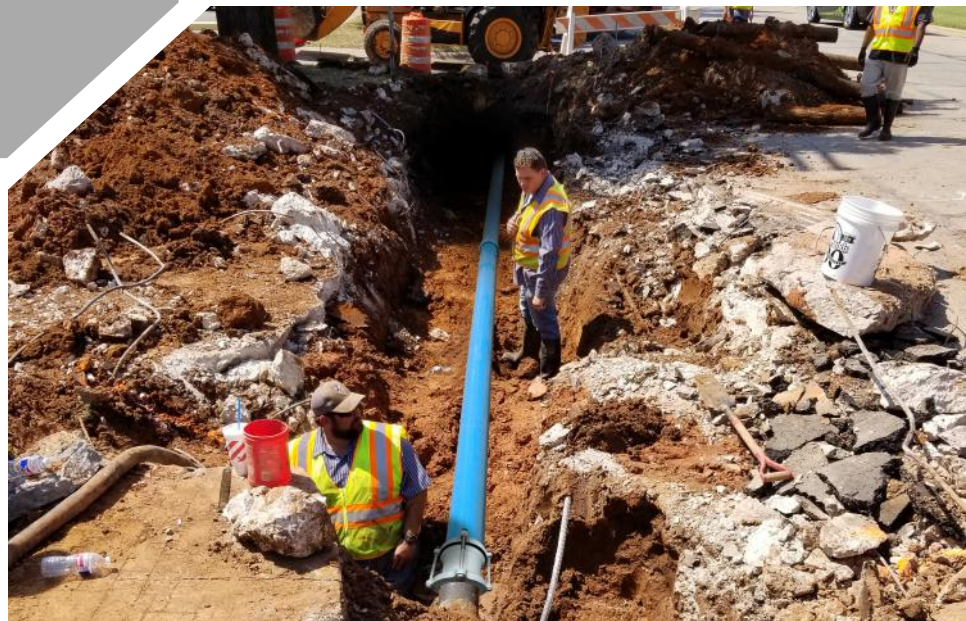
ITEM	PART NUM	MATERIAL	MAT. SPEC.
1	Bolt	Stainless Steel type 304	ASTM A193
2	PowerMax Barrel	Stainless Steel type 304	ASTM A240
3	End Gland	Stainless Steel type 304	AWWA C115
4	Gasket	Styrene Butadiene Rubber (SBR)	ASTM D2000
5	Nut	Stainless Steel type 304	ASTM A194

# 1-800-800-0932

www.powerseal.com • 940-767-5566 fax: 940-723-8378  
701 Pleasant View Drive Wichita Falls, TX 76306



Model 3506AS



## FITTING SOLUTIONS FOR HARSH ENVIRONMENTS