



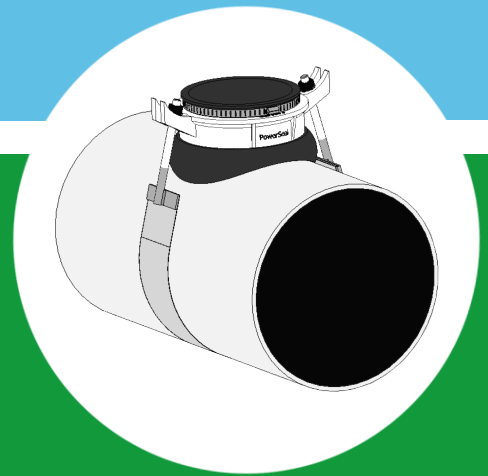
**PowerSeal**  
PIPELINE PRODUCTS CORPORATION

# SEWER SADDLE

## MODEL EL SEWER SADDLE



- Ductile Iron casting per ASTM A536
- Easy Installation
- Adjustable Strap (304 SST)
- Gasket fits "wide range" of diameters
- 4" casting for small branch outlet
- 6" casting for large branch outlet



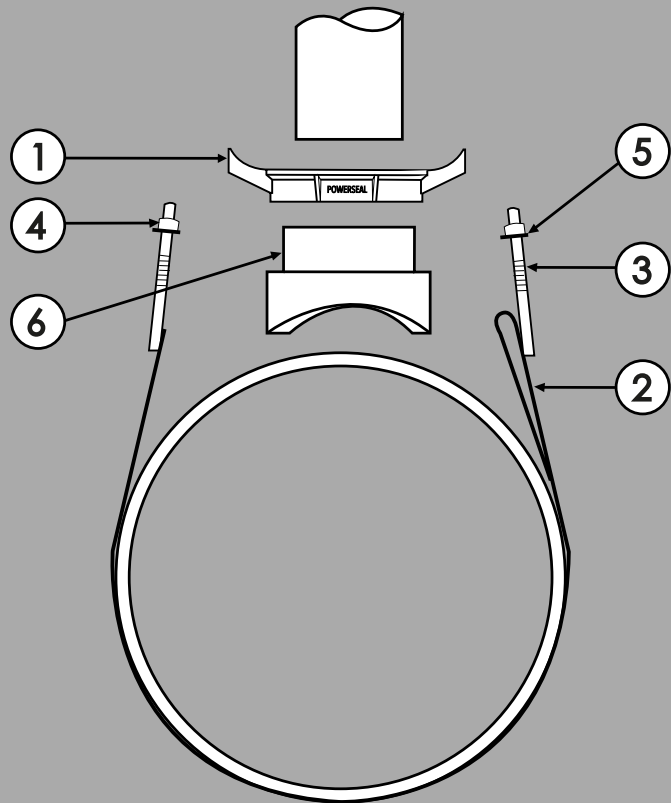
**1-800-800-0932**

www.powerseal.com • 701 Pleasant View Drive Wichita Falls, TX 76306 • 940-767-5566 fax: 940-723-8378

**FITTING SOLUTIONS FOR HARSH ENVIRONMENTS**



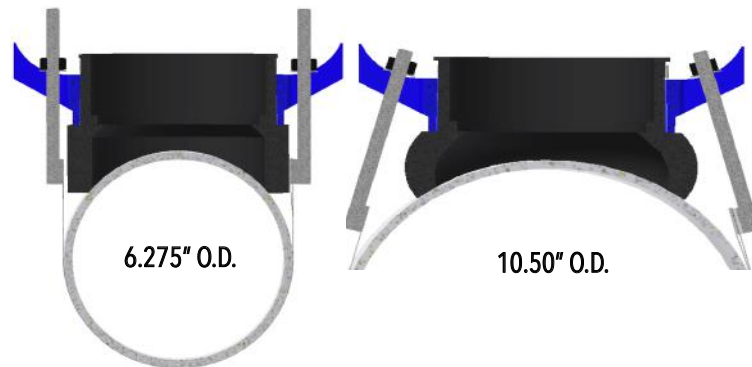
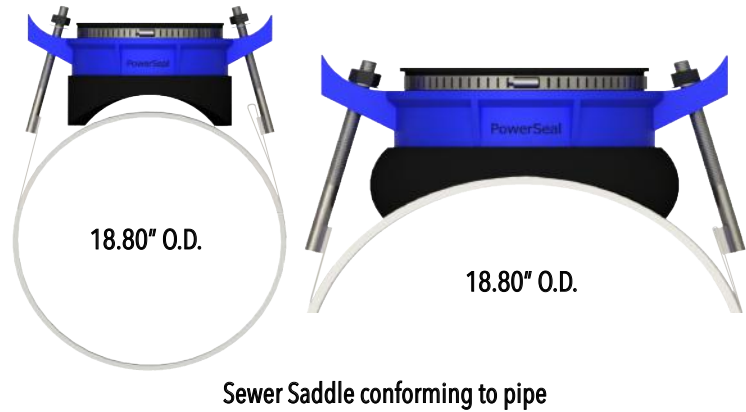
# COMPONENT REFERENCE



## MATERIAL SPECIFICATIONS

ITEM	PART NUM	MATERIAL	MAT. SPEC.
1	Saddle	Ductile Iron	ASTM A536
2	Adjustable Strap	Stainless Steel	ASTM A240
3	Stud Bolts	Stainless Steel	ASTM A193
4	Nuts	Stainless Steel	ASTM A194
5	Washers	Stainless Steel	ASTM A240
6	Gasket	SBR	ASTM D2000

## GASKET PERFORMANCE



# 1-800-800-0932

www.powerseal.com • 940-767-5566 fax: 940-723-8378  
701 Pleasant View Drive Wichita Falls, TX 76306

**Inventory:** Gasket design allows saddle to fit wide-range of pipe diameters.

**Installation:** Simplistic design allows installs to be done with little training, and no special tools.

**Adaptability:** Gasket design allows for deflection due to various factors, with a large sealing surface to provide resistance to displacement.



# FITTING SOLUTIONS FOR HARSH ENVIRONMENTS