

# MODEL 3121AS-PE, 3122AS-PE

Quality Control Department SAFETY FIRST - Always use cave-in protection, gloves, sturdy works boots, and eye protection when tapping pipe.



**GENERAL NOTES:**

- It is recommended that fittings be installed on HDPE when pipe is at its coldest temperature.
- Use cave-in protection during excavation and back-fill operations.
- Verify Pipe O.D. to make certain that the correct Repair Clamp is being installed.
- Keep bolt threads clean and free from nicks, dents or other damage.
- If conditions permit, mark the pipe for a reference point to properly position the clamp.
- Lubrication of the gasket with a soap solution reduces friction and more evenly distributes clamping force. For cold weather lubrication, ethylene glycol can be added to the soap solution to prevent freezing.
- Before start, the installer shall determine the suitability of the product for his intended use and the installer assumes all risk and liability for the application of the product.

**OTHER INFO:**

- **FOR SS BOLTS:** To avoid galling during installation, the threads **MUST BE KEPT CLEAN AND FREE FROM DAMAGE.** The fitting should not be thrown around or otherwise be abused, i.e. stored on truck without box, dropped from top of ditch, etc. A deep socket and ratchet wrench is recommended.
- When a gap exist of one inch or more between the ends of the pipe, a small section of pipe or a rolled thin sheet of metal should be formed around the gap to provide support for the gasket and band.
- When a section of the pipe wall equating to 1/3 of the total area to be repaired a rolled thin sheet of metal should be formed over the missing area to provide support for gasket and band.



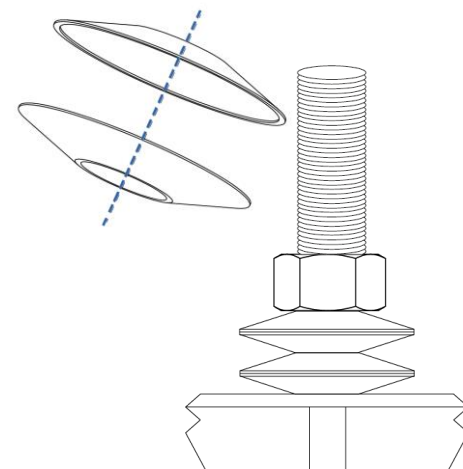
1 Thoroughly clean the pipe where the clamp will be installed.



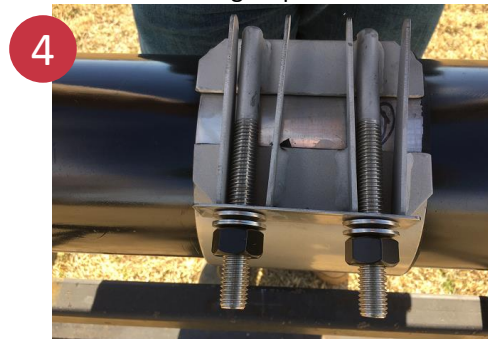
2 Loosen nuts to the end of the stud bolt, and place the clamp around the pipe centered over the break or damage area with the gasket flap at the top.



3 Tuck the gasket flap in place, close the bolt lug, engage the centermost bolt(s) and finger tighten. NOTE: using the palm of your hand, squeeze the end of the clamp fingers and the top of the stud lug to bring stud bolt and fingers parallel.



**High Density Polyethylene Pipe (HDPE) has a lower modulus of elasticity and higher coefficient of thermal expansion than other pipe materials. These properties cause HDPE pipe to expand and contract due to changes in temperature and/or pressure much more than other types of more common waterworks pipe. Due to the many factors associated with this type of pipe much more care has to be taken when installing a typical fitting on HDPE.**



4 Rotate the clamp to flatten the tapered-end of the gasket, and position the bolts and nuts for convenient tightening. Check the reference mark (if used).

RECOMMENDED TORQUE	
Bolt Diameter	Torque (ft-lb)
1/2"	50-70
5/8"	50-70
3/4" HD	140

**REPOSITIONING INSTRUCTIONS**

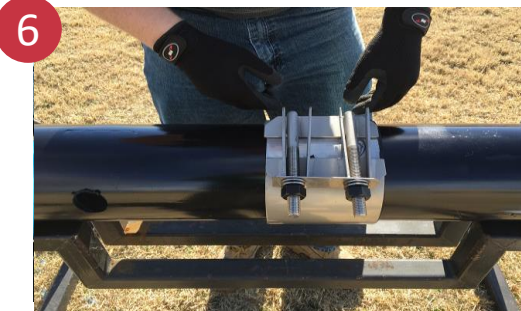
If initial installation of the clamp does not satisfactorily seal the leak then repositioning may be necessary.  
 Step 1. Loosen nuts until clamp moves freely on the pipe.  
 Step 2. Perform steps 3 through 5 again.

# MODEL 3121AS-PE, 3122AS-PE

Quality Control Department SAFETY FIRST - Always use cave-in protection, gloves, sturdy works boots, and eye protection when tapping pipe.



Evenly tighten the bolts working from the center outward. Maintain an even gap between bolt lugs when installing multi-panel repair clamps.



Allow the gasket to fully compress, and recheck the bolt tightness. It is important to re-torque Tapped Repair clamps when used as a "hot tap" saddle after the tap has been made. Torque the bolts as evenly as possible:

## PRE-INSTALL CHECKLIST:

### DID YOU:

- Clean pipe surface thoroughly? [Y] [N]
- Check O.D. of pipe with measuring tape? [Y] [N]
- Lubricate the Pipe with Dishwashing Soap? [Y] [N]
- Verify Proper Torque Required? [Y] [N]

### WARRANTY CHECKLIST (\*):

- Date of Installation \_\_/\_\_/\_\_
- Time of Installation \_\_\_\_\_ [AM] [PM]
- Was Pre-Tap Pressure Test completed to appropriate pressure level? [Y] [N]
- What Pressure was it tested to? \_\_\_\_ psi
- (PowerSeal recommends torquing in 25 ft-lb increments) \* Torque Applied: \_\_\_\_\_ ft-lbs
- Was standard re-torquing applied 5 minutes after reaching torque requirements? [Y] [N]
- Was an even gap between top and bottom shell maintained while torquing the nuts in sequence? [Y] [N]

• Signature of On-Site Leadman: \_\_\_\_\_

**\* Must be completed on day of installation to Validate Warranty**