

3412AS ALL STAINLESS SADDLE - DOUBLE STUD BOLT DESIGN

PANEL & LIFTER BAR: Type 304 (18-8) Stainless Steel per ASTM A240.

BOLTS & NUTS: Type 304 (18-8) Stainless Steel per ASTM A193 and A194. NOTE:

Hex nuts are furnished with fusion bonded coating to prevent seizing and/or galling.

WASHERS: Delrin per ASTM D6778.

LUGS: Type 304 (18-8) Stainless Steel per ASTM A240.

OUTLET: Type 304 (18-8) Stainless Steel per ASTM A276.

GASKET: NBR per ASTM D2000; Mat gasket with patented TwinSeal® dual o-ring design incorporating both hydrostatic and mechanical forces to affect a dynamic seal, with a temperature range of -25°F to +248°F.



Nominal Pipe Size		Pipe OD Range		Width		Outlet Size	Part Number	List Price
Inches	MM	Inches	MM	Inches	MM			
3	80	3.48 - 3.52	88 - 90	6	150	3/4 CC	3412030075TB	\$ 87.00
						3/4 NPT	3412030075TC	
						1 CC	3412030100TD	
						1 NPT	3412030100TE	
						1 1/4 CC	3412030125TF	\$ 188.60
						1 1/4 NPT	3412030125TG	
						1 1/2 CC	3412030150TH	
						1 1/2 NPT	3412030150TI	
						2 CC	3412030200TJ	
						2 NPT	3412030200TK	
3 1/2	90	3.98 - 4.02	101 - 102	6	150	3/4 CC	3412035075TB	\$ 95.90
						3/4 NPT	3412035075TC	
						1 CC	3412035100TD	
						1 NPT	3412035100TE	
						1 1/4 CC	3412035125TF	\$ 191.50
						1 1/4 NPT	3412035125TG	
						1 1/2 CC	3412035150TH	
						1 1/2 NPT	3412035150TI	
						2 CC	3412035200TJ	
						2 NPT	3412035200TK	
4	100	4.50 - 4.80	114 - 122	6	150	3/4 CC	3412040075TB	\$ 99.90
						3/4 NPT	3412040075TC	
						1 CC	3412040100TD	
						1 NPT	3412040100TE	
						1 1/4 CC	3412040125TF	\$ 193.40
						1 1/4 NPT	3412040125TG	
						1 1/2 CC	3412040150TH	
						1 1/2 NPT	3412040150TI	
						2 CC	3412040200TJ	
						2 NPT	3412040200TK	

3412AS ALL STAINLESS SADDLE - DOUBLE STUD BOLT DESIGN

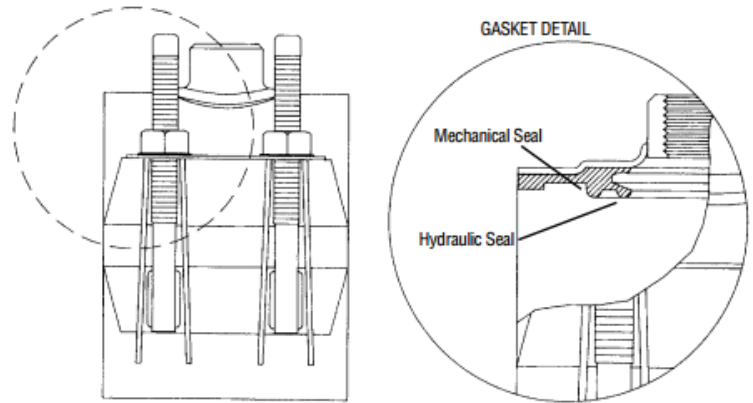
Nominal Pipe Size		Pipe OD Range		Width		Outlet Size	Part Number	List Price
Inches	MM	Inches	MM	Inches	MM			
5	125	5.54 - 5.84	141 - 148	6	150	3/4 CC	3412050075TB	\$ 102.00
						3/4 NPT	3412050075TC	
						1 CC	3412050100TD	
						1 NPT	3412050100TE	
						1 1/4 CC	3412050125TF	\$ 195.30
						1 1/4 NPT	3412050125TG	
						1 1/2 CC	3412050150TH	
						1 1/2 NPT	3412050150TI	
						2 CC	3412050200TJ	
						2 NPT	3412050200TK	
6	150	6.63 - 6.90	168 - 175	6	150	3/4 CC	3412060075TB	\$ 142.80
						3/4 NPT	3412060075TC	
						1 CC	3412060100TD	
						1 NPT	3412060100TE	
						1 1/4 CC	3412060125TF	\$ 201.00
						1 1/4 NPT	3412060125TG	
						1 1/2 CC	3412060150TH	
						1 1/2 NPT	3412060150TI	
						2 CC	3412060200TJ	
						2 NPT	3412060200TK	
8	200	8.63 - 9.05	219 - 230	6	150	3/4 CC	3412080075TB	\$ 144.90
						3/4 NPT	3412080075TC	
						1 CC	3412080100TD	
						1 NPT	3412080100TE	
						1 1/4 CC	3412080125TF	\$ 209.50
						1 1/4 NPT	3412080125TG	
						1 1/2 CC	3412080150TH	
						1 1/2 NPT	3412080150TI	
						2 CC	3412080200TJ	
						2 NPT	3412080200TK	
10	250	10.75 - 11.10	273 - 282	6	150	3/4 CC	3412100075TB	\$ 176.60
						3/4 NPT	3412100075TC	
						1 CC	3412100100TD	
						1 NPT	3412100100TE	
						1 1/4 CC	3412100125TF	\$ 220.90
						1 1/4 NPT	3412100125TG	
						1 1/2 CC	3412100150TH	
						1 1/2 NPT	3412100150TI	
						2 CC	3412100200TJ	
						2 NPT	3412100200TK	

3412AS ALL STAINLESS SADDLE - DOUBLE STUD BOLT DESIGN

Nominal Pipe Size		Pipe OD Range		Width		Outlet Size	Part Number	List Price
Inches	MM	Inches	MM	Inches	MM			
12	300	12.75 - 13.20	324 - 335	6	150	3/4 CC	3412120075TB	\$ 180.60
						3/4 NPT	3412120075TC	
						1 CC	3412120100TD	
						1 NPT	3412120100TE	
						1 1/4 CC	3412120125TF	\$ 233.80
						1 1/4 NPT	3412120125TI	
						1 1/2 CC	3412120150TH	
						1 1/2 NPT	3412120150TI	
						2 CC	3412120200TJ	
						2 NPT	3412120200TK	

HOW TO ORDER: Choose nominal pipe size x outlet size and thread configuration. EXAMPLE: 4" C900 O.D. 4.80 with 3/4 CC outlet. Order 3412AS - 4 x 3/4 CC. **Part Number:** 3412040075TB .

The patented dual o-ring TwinSeal® gasket incorporates both hydrostatic and mechanical forces to affect a positive seal on all pipe surfaces. As the distribution system's pressure increases, the tightness of the seal is equally increased. This unique design compensates for expansion and contraction due to pressure or temperature variances in water mains and service lines. The large area of gasket in contact with the pipe also serves to prevent saddle rotation while in service and the tapered ends provide a contoured fit to the pipe.



ALL STAINLESS SERVICE SADDLE TWINSEAL GASKET