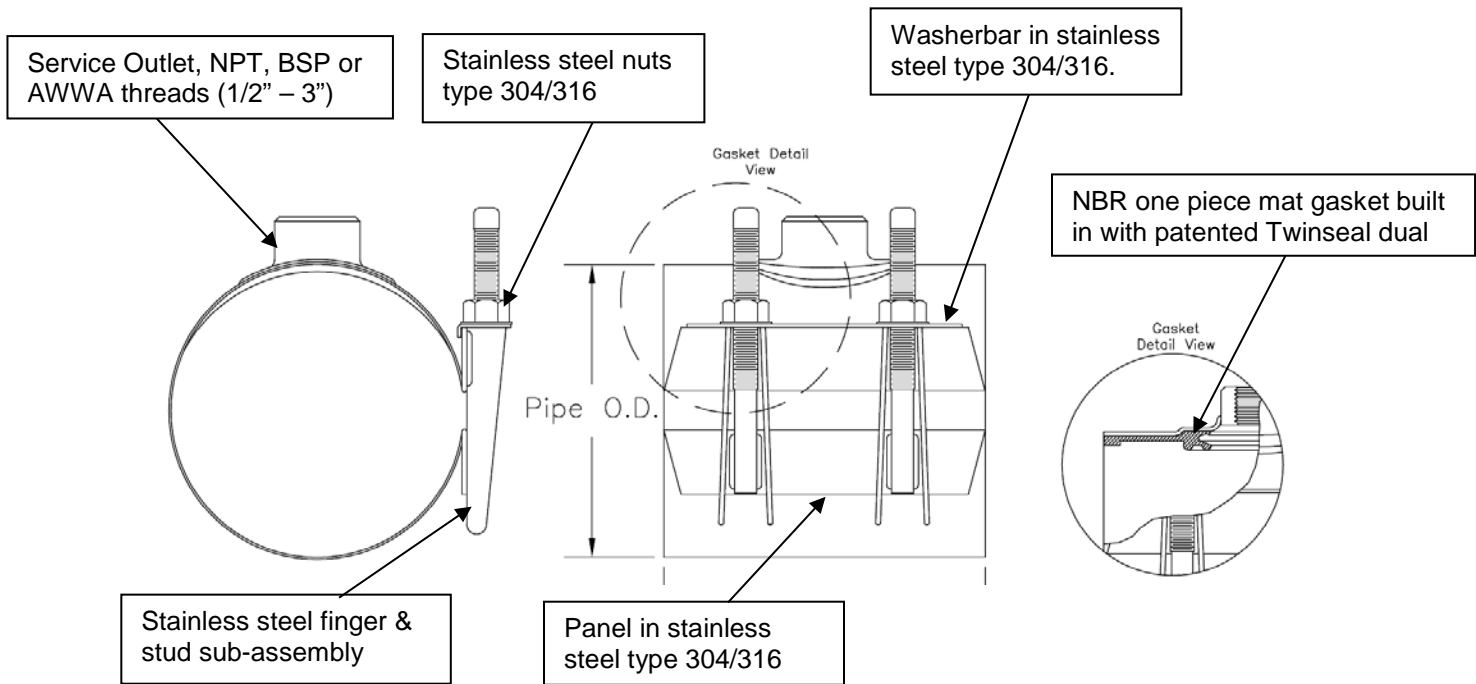


Features and Benefits

1. Materials do not compromise the integrity of the pipeline.
2. Due to stainless steel panel construction saddles can be manufactured to fit any pipe diameter.
3. Patented one piece NBR tapered end O-ring mat gasket, with twin seal O-ring design ensures a watertight seal to all classes of pipe.
4. Tapered gaskets helps prevent rolling of O-ring during install.
5. All the fastening components are held captive in this design to eliminate loses pieces in the field.
6. The extra-long stud bolts provide leverage for initial fastening of the washer-bar.



3412AS			
Pipe Size		Pipe OD Range	
in.	mm.	in.	mm.
3	80	3.48 - 3.52	88 - 90
3 1/2	90	3.98 - 4.02	101 - 102
4	100	4.50 - 4.80	114 - 122
5	125	5.54 - 5.84	141 - 148
6	150	6.63 - 6.90	168 - 175
8	200	8.63 - 9.05	219 - 230
10	250	10.75 - 11.10	273 - 282
12	300	12.75 - 13.20	324 - 335



ALL 3412AS 6", 8", 10", & 12" WITH OUTLETS ABOVE 1" THE PANEL WIDTH IS 8"

FOR 4" OUTLETS THE PANEL WIDTH IS 16"

FOR 3" OUTLETS THE PANEL WIDTH IS 12"



Scope

The intent of the specification is to receive a 3” – 12” diameter stainless steel saddle for use on all classes PVC pipe. The saddle furnished shall be equivalent to model 3412AS as manufactured by PowerSeal Pipeline Products Corporation.

Design and Material Specification

- The stainless steel saddle shall meet or exceed all material specifications as listed below:
 1. The exterior band of the Saddle shall be Type 304/316 (18-8) Stainless Steel.
 2. The saddle shall have an o-ring mat gasket with tapered ends permanently attached to the panel at the factory.

The o-ring mat gasket shall be our patented design in NBR. It shall be free from porous areas, foreign material, and visible defects, all made from 100% new rubber. The NBR resists temperatures of -25 to +248°F.
 3. Finger stud sub-assembly shall be permanently attached by way of welding during manufacture at the factory. The weld shall be fully passivated.
 4. The stainless steel female outlet shall be permanently attached to the saddle via a fully passivated weld during manufacture at the factory.
 5. There shall be no paper or plastic adhesive labels attached to the Saddle, any information appearing on the saddle shall be stenciled.
 6. Fully complies with AWWA C800 and NSF 61.

Material Specifications		
Part Name	Material	Mat. specs
Panel	Stainless Steel type 304	ASTM A240
Base Plates	Stainless Steel type 304	ASTM A240
Bolts	Stainless Steel type 304	ASTM A193
Nuts	Stainless Steel type 304	ASTM A194
TwinSeal Matt	NBR	ASTM D2000
Washerbar	Stainless Steel type 304	ASTM A240
Friction Washer	Delrin Plastic	MIL-A50424

The saddles wide band evenly distributes the bolt’s clamping forces preventing concentrated load damage or pipe distortion which can easily occur when strap style saddles are use, particularly on PVC pipe. A built-in pipe OD range allows one saddle to fit IPS, PVC, steel, cast iron, ductile iron and C900 PVC pipe.

