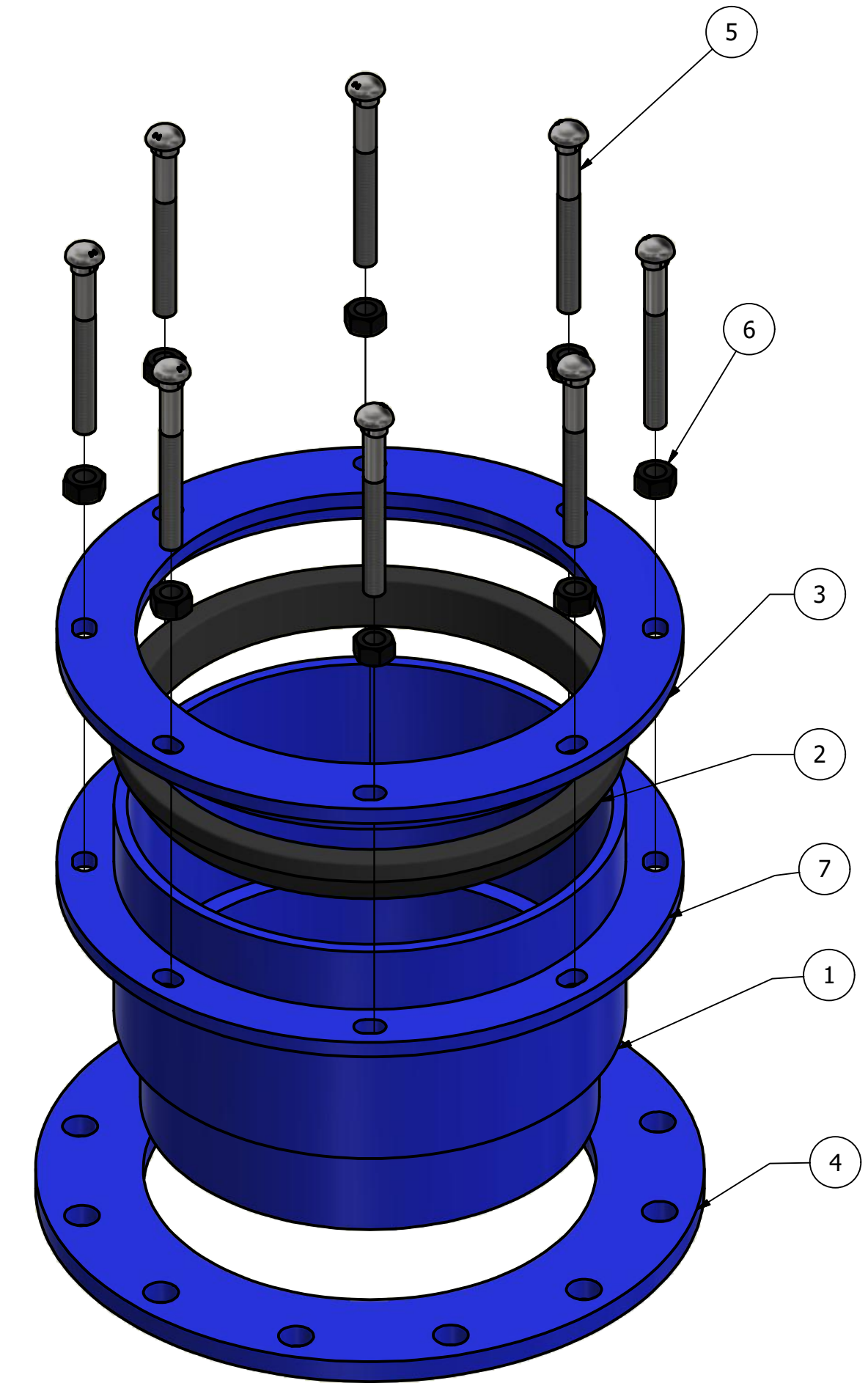
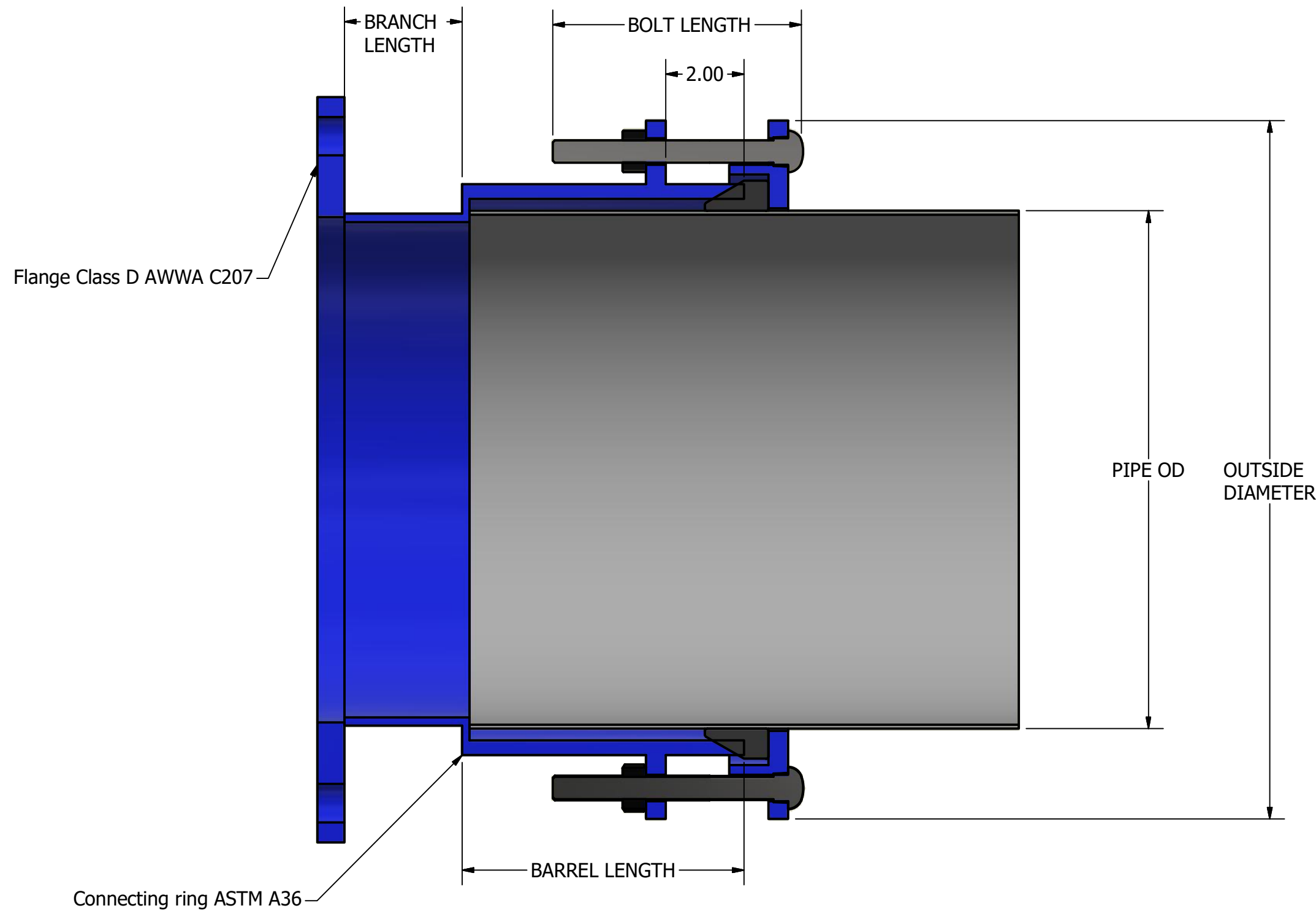


# 3528 FABRICATED FLANGE COUPLING ADAPTER

## Ductile iron pipe sizes 4" - 24"

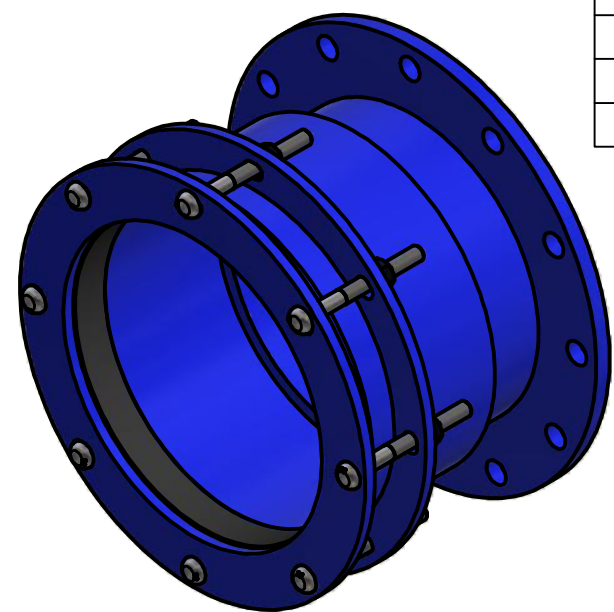
BILL OF MATERIALS				
ITEM	QTY	PART NUMBER	MATERIAL	MATERIAL SPEC
1	1	Barrel	Carbon steel	ASTM A36
2	1	Gasket	NBR	ASTM D2000
3	1	Gland	Carbon steel	ASTM A36
4	1	Class D Flange	Carbon steel	AWWA C207
5	*	Bolts	304/316 Stainless Steel	ASTM A193
6	*	Heavy Hex Nut	304/316 Stainless Steel	ASTM A194
7	1	Connecting Ring	Carbon steel	ASTM A36

Unless otherwise stated all dimensions are in inches.  
Flexible couplings do not provide against pull out of pipe



PIPE OD	Barrel length	Barrel thickness	Branch length	Bolt size/length	Bolt qty	Outside diameter	Class D AWWA C207 Flange OD	Flange thickness	Flange bolt holes QTY	Flange bolt holes size	Flange bolt holes B.C
4.80	7.00 in	1/4"	3.00 in	5/8" x 6	4	9.40 in	9.00 in	0.625"	8	0.750	7.50 in
6.90	7.00 in	3/8"	3.00 in	5/8" x 6	5	11.50 in	11.00 in	0.688"	8	0.875	9.50 in
9.05	7.00 in	3/8"	3.00 in	5/8" x 6	6	13.65 in	13.50 in	0.688"	8	0.875	11.75 in
11.10	7.00 in	3/8"	3.00 in	5/8" x 6	7	15.70 in	16.00 in	0.688"	12	1.000	14.25 in
13.20	7.00 in	3/8"	3.00 in	5/8" x 6	8	17.80 in	19.00 in	0.812"	12	1.000	17.00 in
15.30	7.00 in	3/8"	3.00 in	5/8" x 6	9	19.90 in	21.00 in	0.938"	12	1.125	18.75 in
17.40	7.00 in	3/8"	3.00 in	5/8" x 6	10	22.00 in	23.50 in	1.000"	16	1.125	21.25 in
19.50	7.00 in	3/8"	3.00 in	5/8" x 6	12	24.10 in	25.00 in	1.062"	16	1.125	22.75 in
21.60	7.00 in	3/8"	3.00 in	5/8" x 6	12	26.20 in	27.50 in	1.125"	20	1.125	25.00 in
25.80	7.00 in	3/8"	3.00 in	5/8" x 6	14	30.40 in	32.00 in	1.250"	20	1.375	29.50 in

\*Meets the provisions of ANSI /AWWA C219-91 Coupling standard for plain end pipe



THIS DRAWING AND ALL INFORMATION IS THE PROPERTY OF PAM, LTD. AND SHALL NOT BE USED, COPIED, OR REPRODUCED WITHOUT CONSENT. ALL DESIGNS AND INVENTION RIGHTS ARE RESERVED.



MODEL 3528 Flange Coupling Adapter Ductile iron pipe sizes 4" - 24"			
SIZE	Wichita Falls, Texas	DWG NO	REV
DRAFTSMAN / DATE		SHEET 1 OF 1	