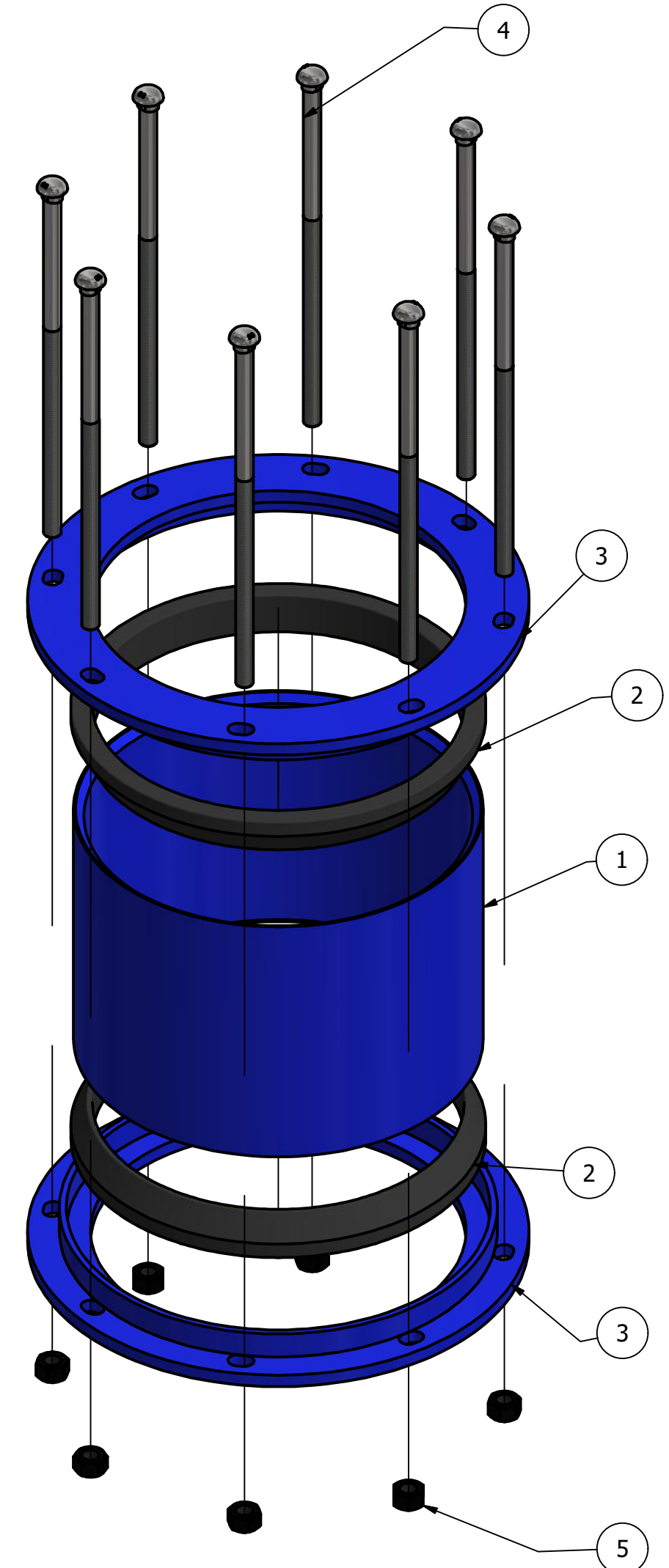
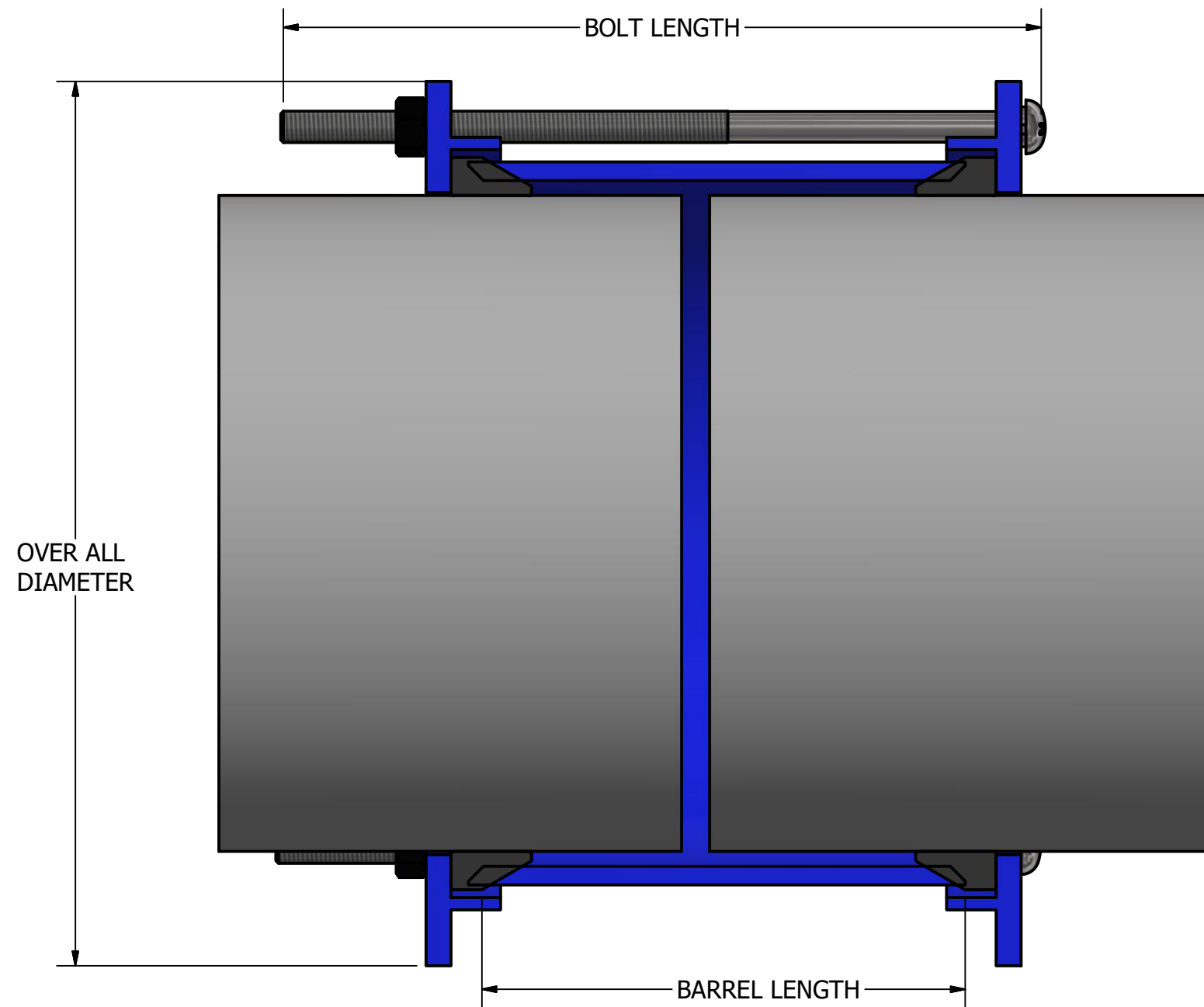


3538 Steel Fabricated Transition Coupling

Ductile Iron Pipe Sizes 4" - 48"

BILL OF MATERIALS				
ITEM	QTY	PART NUMBER	MATERIAL	MATERIAL SPEC
1	1	Center Barrel	Carbon Steel	ASTM A36
2	2	Gaskets	NBR	ASTM D2000
3	2	Glands	Carbon Steel	ASTM A36
4	*	Bolts	Low alloy steel/ Stainless steel 304-316	ASTM A193 / ASTM A325
5	*	Heavy Hex Nut	Low alloy steel/ Stainless steel 304-316	ASTM A194 / ASTM A563

Finish: Epoxy lined and coated



PIPE OD	Barrel length	Barrel thickness	Bolt size/ length	Bolt qty	Outside diameter
4.80	7.00 in	SCH 40	5/8 x 11"	4	9.40 in
6.90	7.00 in	1/4	5/8 x 11"	5	11.50 in
9.05	7.00 in	3/8	5/8 x 11"	6	13.65 in
11.10	7.00 in	3/8	5/8 x 11"	7	15.70 in
13.20	7.00 in	3/8	5/8 x 11"	8	17.80 in
15.30	7.00 in	3/8	5/8 x 11"	9	19.90 in
17.40	7.00 in	3/8	3/4 x 11"	10	22.00 in
19.50	7.00 in	3/8	3/4 x 11"	12	24.10 in
21.60	7.00 in	3/8	3/4 x 11"	12	26.20 in
25.80	7.00 in	3/8	3/4 x 11"	14	30.40 in
32.00	7.00 in	3/8	3/4 x 15"	16	36.60 in
38.30	7.00 in	3/8	3/4 x 15"	16	42.90 in
44.50	10.00 in	3/8	3/4 x 15"	18	49.10 in
50.80	10.00 in	3/8	3/4 x 15"	20	55.40 in

CUSTOMER INFO

Company name: _____
 Contact: _____ Telf #: _____
 Notes: _____

PRODUCTION RELEASE

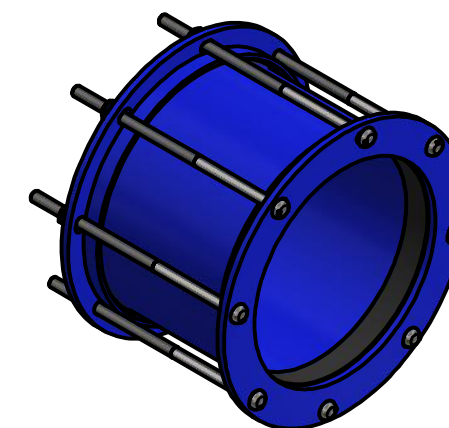
- Approved as submitted hereon
- Approved as noted and revised hereon
- REJECTED: _____

Release authorized by: _____
 Release date: _____ P.O.# _____

All Dimensions are in inches. Flexible couplings do not provide against pull out of pipe
 Couplings meet the provision of ANSI/AWWA C219-97 (Coupling Standard for plain end pipe)
 Couplings must be restrained to prevent end thrust from causing the coupling to move

Working pressure: Up to 150 PSI
 For higher pressures ratings, call our representatives 1-800-800-0932

Torque requirements
 5/8" Bolts: 70 - 100 ft.lbs
 3/4" Bolts: 100 - 140 ft.lbs



PowerSeal
 PIPELINE PRODUCTS CORPORATION

MODEL: **3538 Fabricated Coupling**
 Ductile iron pipe sizes 4" - 24"

SIZE	Wichita Falls, Texas	DWG NO	REV
DRAFTSMAN / DATE		SHEET 1 OF 1	