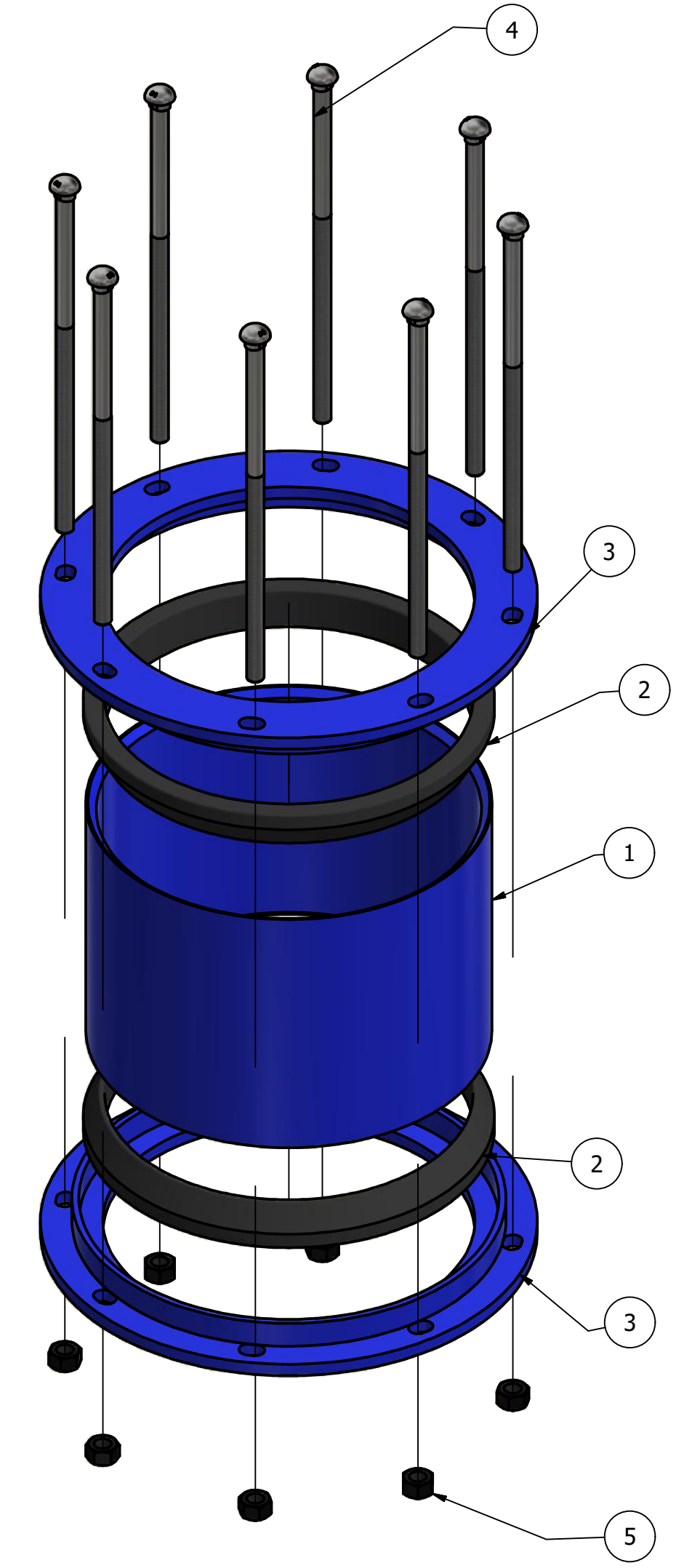
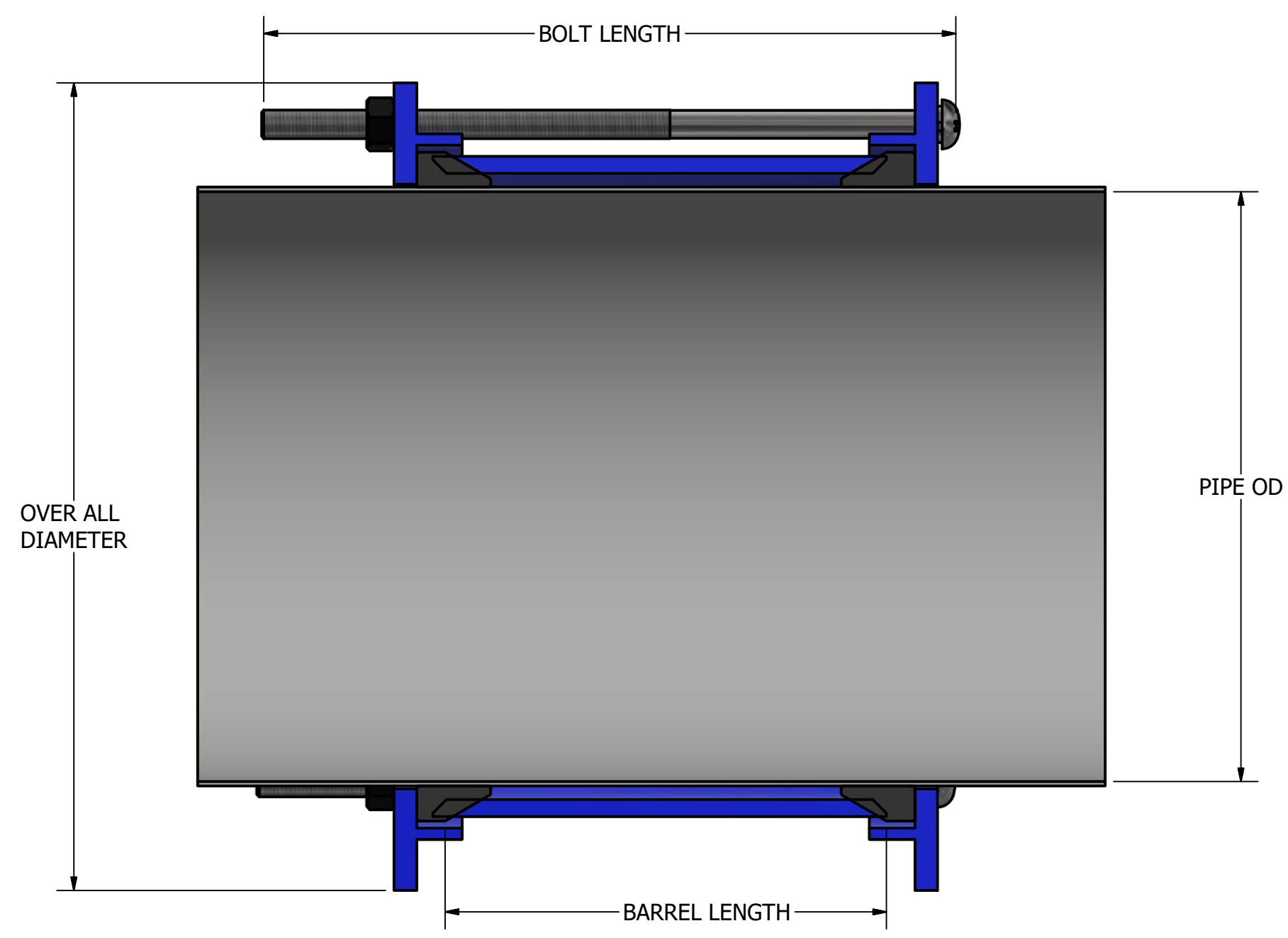


3538 FABRICATED COUPLING

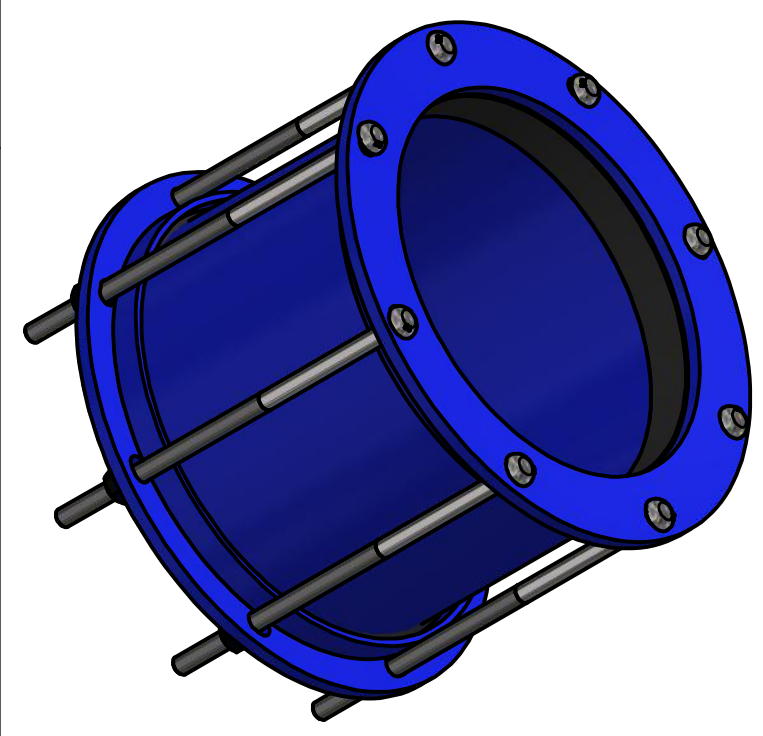
Ductile iron pipe sizes 4" - 48"

BILL OF MATERIALS				
ITEM	QTY	PART NUMBER	MATERIAL	MATERIAL SPEC
1	1	Center Barrel	Carbon Steel	ASTM A36
2	2	Gaskets	NBR	ASTM D2000
3	2	Glands	Carbon Steel	ASTM A36
4	*	Bolts	Low alloy steel	ASTM A325
5	*	Heavy Hex Nut	Low alloy steel	ASTM A36




PIPE OD	Barrel length	Barrel thickness	Bolt size/ length	Bolt qty	Outside diameter
4.80	7.00 in	3/8	5/8 x 11"	4	9.40 in
6.90	7.00 in	3/8	5/8 x 11"	5	11.50 in
9.05	7.00 in	3/8	5/8 x 11"	6	13.65 in
11.10	7.00 in	3/8	5/8 x 11"	7	15.70 in
13.20	7.00 in	3/8	5/8 x 11"	8	17.80 in
15.30	7.00 in	3/8	5/8 x 11"	9	19.90 in
17.40	7.00 in	3/8	5/8 x 11"	10	22.00 in
19.50	7.00 in	3/8	5/8 x 11"	12	24.10 in
21.60	7.00 in	3/8	5/8 x 11"	12	26.20 in
25.80	7.00 in	3/8	5/8 x 11"	14	30.40 in
32.00	10.00 in	3/8	3/4 x 15"	16	36.60 in
36.00	10.00 in	3/8	3/4 x 15"	16	42.90 in
44.50	10.00 in	3/8	3/4 x 15"	18	49.10 in
50.80	10.00 in	3/8	3/4 x 15"	20	55.40 in

Meets The provisions of ANSI /AWWA C219-91 Coupling standard for plain end pipe



THIS DRAWING AND ALL INFORMATION IS THE PROPERTY OF PAM, LTD. AND SHALL NOT BE USED, COPIED, OR REPRODUCED WITHOUT CONSENT. ALL DESIGNS AND INVENTION RIGHTS ARE RESERVED.



PowerSeal
PIPELINE PRODUCTS CORPORATION

MODEL 3538 Fabricated Coupling
Ductile iron pipe sizes 4" - 48"

SIZE	Wichita Falls, Texas	DWG NO	REV
DRAFTSMAN / DATE		SHEET 1 OF 1	