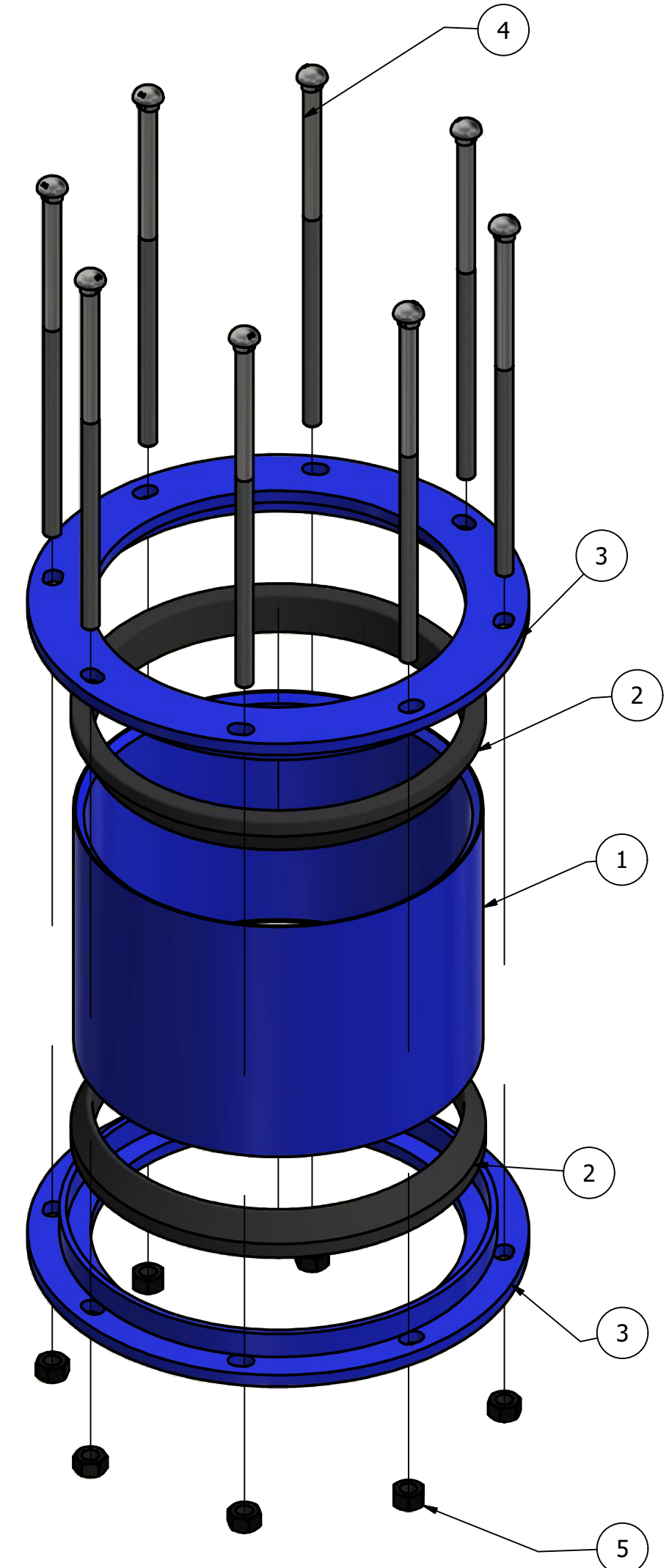
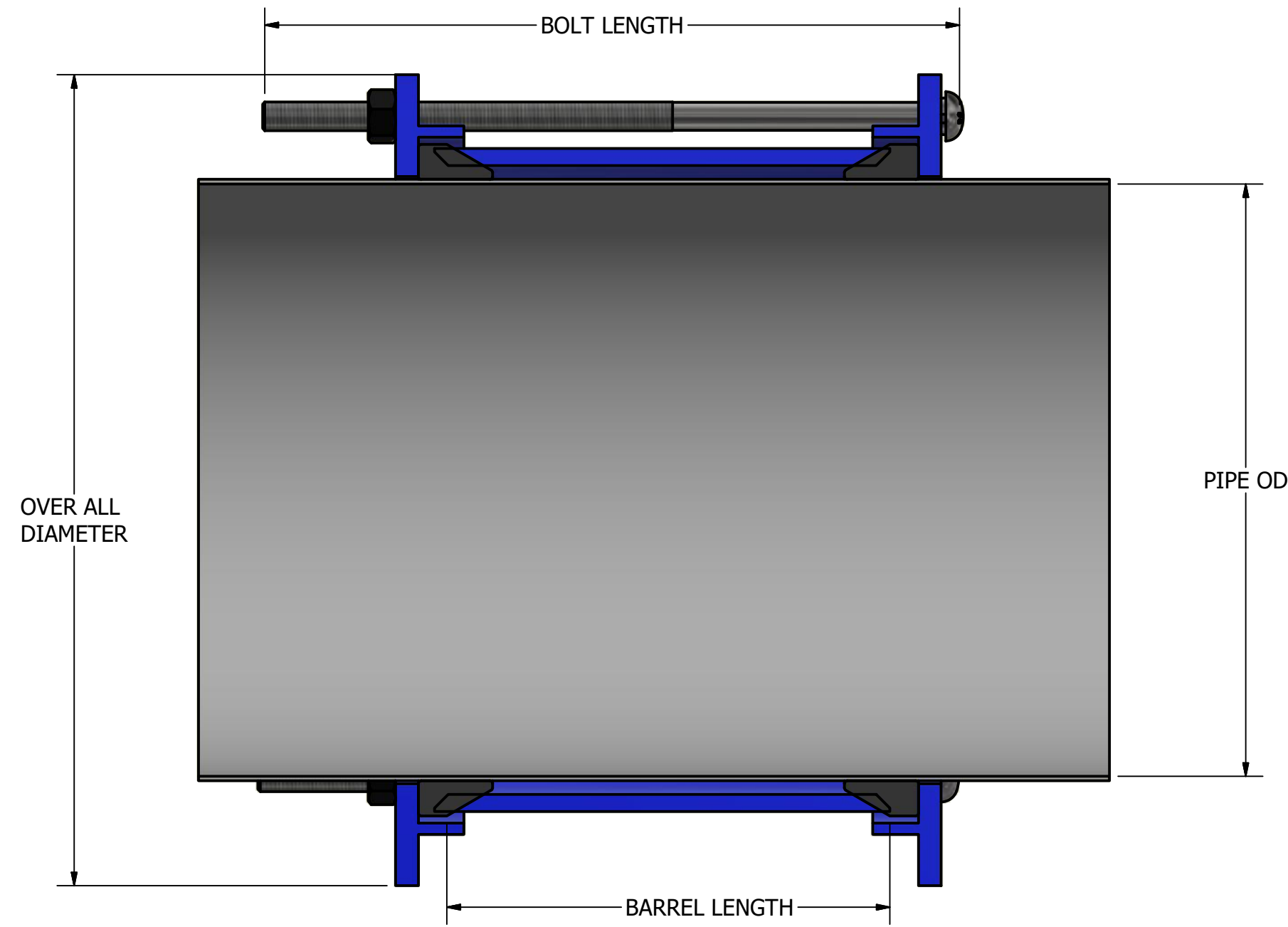


# 3538 FABRICATED COUPLING

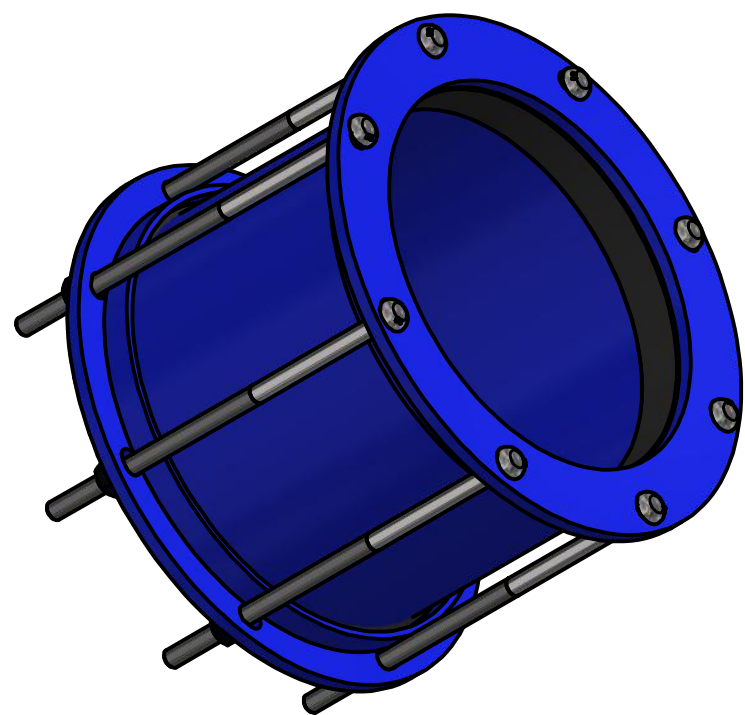
## Steel pipe sizes 4" - 48"

| BILL OF MATERIALS |     |               |                         |               |
|-------------------|-----|---------------|-------------------------|---------------|
| ITEM              | QTY | PART NUMBER   | MATERIAL                | MATERIAL SPEC |
| 1                 | 1   | Center Barrel | Carbon Steel            | ASTM A36      |
| 2                 | 2   | Gaskets       | NBR                     | ASTM D2000    |
| 3                 | 2   | Glands        | Carbon Steel            | ASTM A36      |
| 4                 | *   | Bolts         | 304/316 Stainless steel | ASTM A193     |
| 5                 | *   | Heavy Hex Nut | 304/316 Stainless steel | ASTM A194     |




| PIPE OD | Barrel length | Barrel thickness | Bolt size/ length | Bolt qty | Outside diameter |
|---------|---------------|------------------|-------------------|----------|------------------|
| 4.50    | 7.00 in       | 3/8              | 5/8 x 11"         | 4        | 9.10 in          |
| 6.63    | 7.00 in       | 3/8              | 5/8 x 11"         | 5        | 11.23 in         |
| 8.63    | 7.00 in       | 3/8              | 5/8 x 11"         | 6        | 13.23 in         |
| 10.75   | 7.00 in       | 3/8              | 5/8 x 11"         | 7        | 15.35 in         |
| 12.75   | 7.00 in       | 3/8              | 5/8 x 11"         | 8        | 17.35 in         |
| 14.00   | 7.00 in       | 3/8              | 5/8 x 11"         | 9        | 18.60 in         |
| 16.00   | 7.00 in       | 3/8              | 5/8 x 11"         | 10       | 20.60 in         |
| 18.00   | 7.00 in       | 3/8              | 5/8 x 11"         | 12       | 22.60 in         |
| 20.00   | 7.00 in       | 3/8              | 5/8 x 11"         | 12       | 24.60 in         |
| 24.00   | 7.00 in       | 3/8              | 5/8 x 11"         | 14       | 28.60 in         |
| 30.00   | 10.00 in      | 3/8              | 3/4 x 15"         | 16       | 34.60 in         |
| 36.00   | 10.00 in      | 3/8              | 3/4 x 15"         | 16       | 40.60 in         |
| 42.00   | 10.00 in      | 3/8              | 3/4 x 15"         | 18       | 46.60 in         |
| 48.00   | 10.00 in      | 3/8              | 3/4 x 15"         | 20       | 52.60 in         |

Meets The provisions of ANSI /AWWA C219-91 Coupling standard for plain end pipe



THIS DRAWING AND ALL INFORMATION IS THE PROPERTY OF PAM, LTD. AND SHALL NOT BE USED, COPIED, OR REPRODUCED WITHOUT CONSENT. ALL DESIGNS AND INVENTION RIGHTS ARE RESERVED.



**PowerSeal**  
PIPELINE PRODUCTS CORPORATION

MODEL **3538 Fabricated Coupling**  
**Steel pipe sizes 4" - 48"**

|                  |                      |              |     |
|------------------|----------------------|--------------|-----|
| SIZE             | Wichita Falls, Texas | DWG NO       | REV |
| DRAFTSMAN / DATE |                      | SHEET 1 OF 1 |     |