

3643AS SURGE SUPPRESSOR



PowerSeal
PIPELINE PRODUCTS CORPORATION

INSTALLATION GUIDE

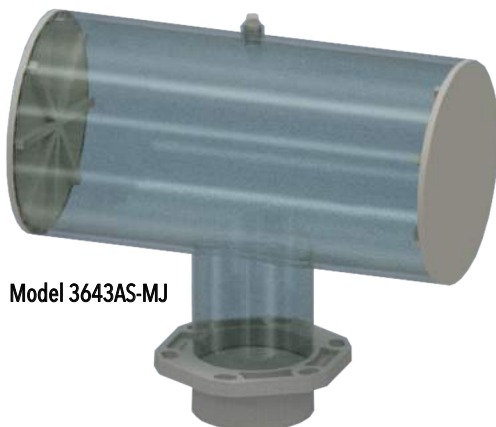
1. Install mounting fitting in/on run of pipeline. Thoroughly clean the flange connections and gasket to be joined, and inspect the area where the flanges will be installed for flaws, i.e., gouges, protrusions, excessive corrosion, etc., irregular surfaces should be avoided to assure maximum gasket sealing. For gasket installation inspect for any nicks, gouges or tears. Lubricate the gaskets with soapy water.
2. Surge suppressor should be installed on the vertical of the pipe. The surge suppressor and mounting fitting should be properly supported.
3. Tighten the flange or MJ connection in a star pattern until the desired torque is reached.
4. The outlet plug should be tightened to a minimum of 50, maximum of 70 ft. lbs of torque.
5. Confirm watertight application of all components. The pressure test must be done carefully to prevent the damage to the surge suppressor or the mounting fitting.

MATERIAL SPECIFICATIONS

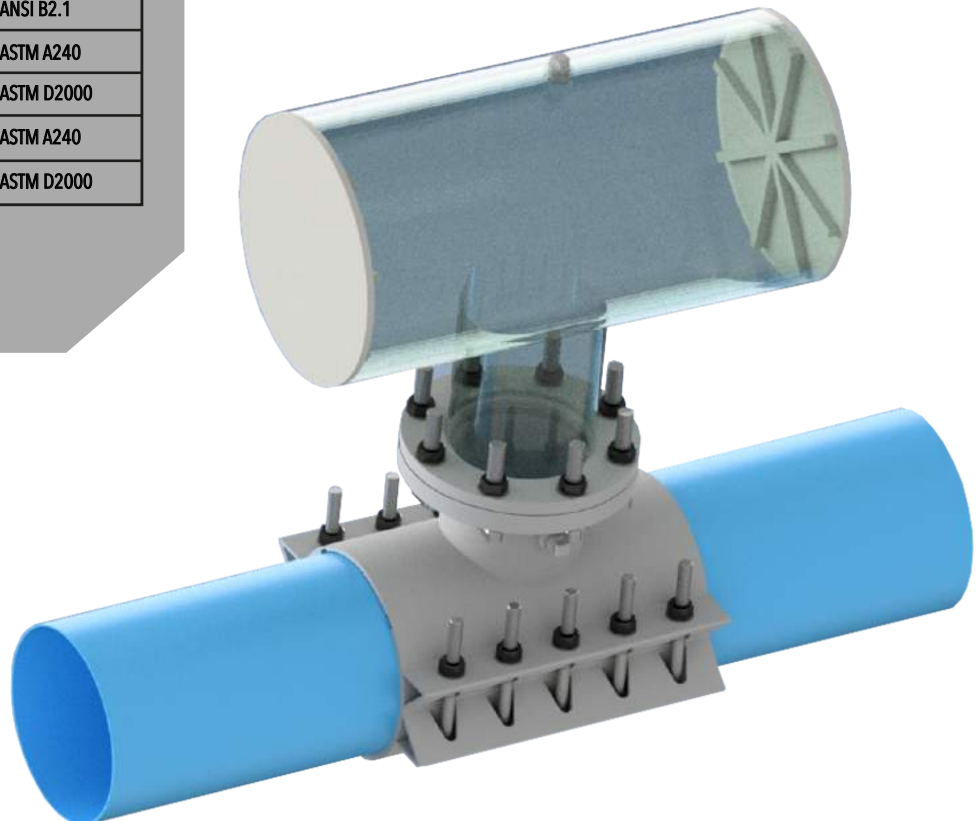
ITEM	PART NUM	MATERIAL	MAT. SPEC.
1	Flange/MJ Flange Outlet	Stainless Steel type 304	AWWA C115
2	Branch	Stainless Steel type 304	ASTM A240
3	Test Plug	Stainless Steel type 304	ANSI B2.1
4	Body	Stainless Steel type 304	ASTM A240
5	Flange Gasket	NBR	ASTM D2000
6	Reinforcements	Stainless Steel type 304	ASTM A240
7	Branch Gasket	SBR	ASTM D2000

1-800-800-0932

www.powerseal.com • 940-767-5566 fax: 940-723-8378
701 Pleasant View Drive Wichita Falls, TX 76306



Model 3643AS-MJ



FITTING SOLUTIONS FOR HARSH ENVIRONMENTS