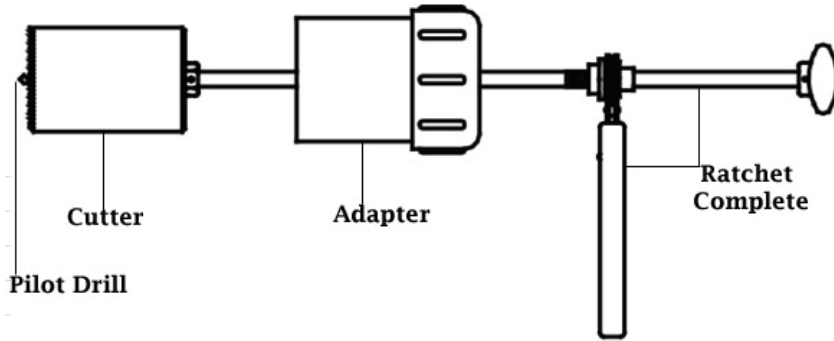


4900 COMPLETE UNITS FOR PLASTIC SEWER PIPE “Y” CONNECTIONS



*Complete units consist of Sewer Cutter, Ratchet, Shaft, and Adapter.

*The Sewer Cutter is an elongated hole saw for tapping PVC sewer pipe at a 45° angle.

4” Sewer Vega Drill with Ratchet Handle and Guide Adapter.

Catalog Number	Size		Drive Mechanism	List Price
	Inches	MM		
4904R	4	100	Ratchet Handle	\$656.20
4906R	6	150	Ratchet Handle	\$984.40

HOW TO ORDER: Include Part Number.

Example: To order a 4” unit w/Ratchet Handle, specify **Part Number:** 4904R.