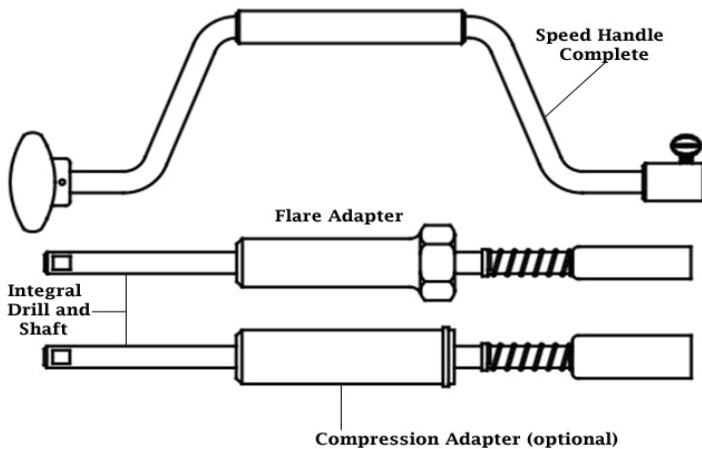


SERIES 9900 COMBO COMPLETE UNITS FOR C900 THICK WALL PLASTIC PIPE



- * Combination units consist of Drills, Drive Mechanism, and type of Adapters specified.
- * The Vega Drill Speed Handle Drive Mechanism is available only on 3/4" and 1" units.
- * 1 1/2" & 2" units are furnished with Female Iron Pipe (FIP) threaded Adapters unless otherwise specified.
- * 3/4" and 1" Drive Mechanisms are interchangeable.
- * The 1 1/2" and 4" Drive Mechanisms are interchangeable.
- * 6" & 8" Drive Mechanisms are interchangeable.
- * 3" thru 8" units are furnished with "Pack-Off" plate style adapters that fit on both flanged and MJ fittings.

3/4" and 1" C900 Vega Drills with Speed Handle, 3/4" Flare Adapter, and 1" Compression Adapter.

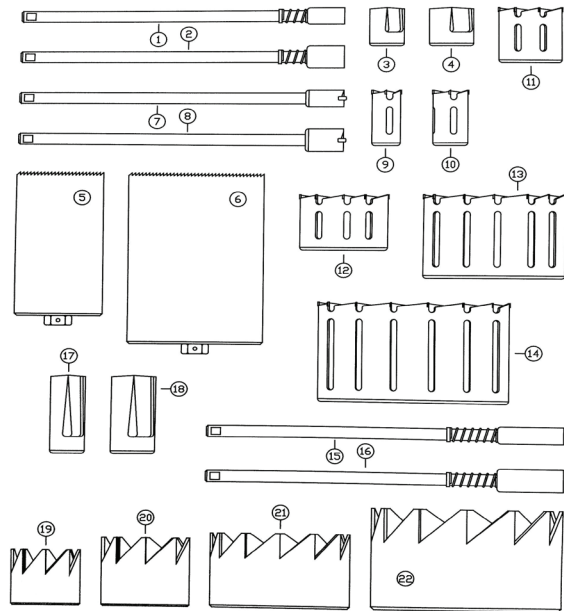
Model Number	Size		Drive Mechanism	Catalog Number			List Price
				Flare Adapter	Compression Adapters		
	Inches	MM			IPS	CTS	
9901S	3/4" & 1"	20 & 25	Speed Handle	9901S00	9901S01	9901S02	\$651.00
9901R	3/4" & 1"	20 & 25	Ratchet Handle	9901R00	9901R01	9901R02	\$847.00
9902R	3/4", 1", 1 1/2" & 2"	40 & 50 20, 25,	Ratchet Handle	9902R00	9902R01	9902R02	\$1,627.00
9904R	2" & 4"	50 & 100	Ratchet Handle	-	-	-	\$1,370.70
9906R	6" & 8"	150 & 200	Ratchet Handle	-	-	-	\$2,787.60
9908R	ALL	ALL	Ratchet Handle	-	-	-	\$5,420.00

HOW TO ORDER: Show model number followed by two digit item code ending which specifies the type of adapter desired. Example: To order a 3/4" & 1" Combination unit with Speed Handle and Flare Adapters, specify **Part Number:** 9901S00. When ordering combination units, remember to specify the type of Adapter for Vega Drill sizes smaller than 3".

NOTE: On the Model 9908R all size combination unit you must specify all of your adapter choices when ordering.

NOTE: For 3/4" and 1" sizes Female Iron Pipe (FIP) or Male Iron Pipe (MIP) thread Flare bushing available. These bushings work in conjunction with the standard flare adapter, converting them from a flared copper thread to iron pipe thread. See parts page in adapters section.

DRILLS & CUTTERS

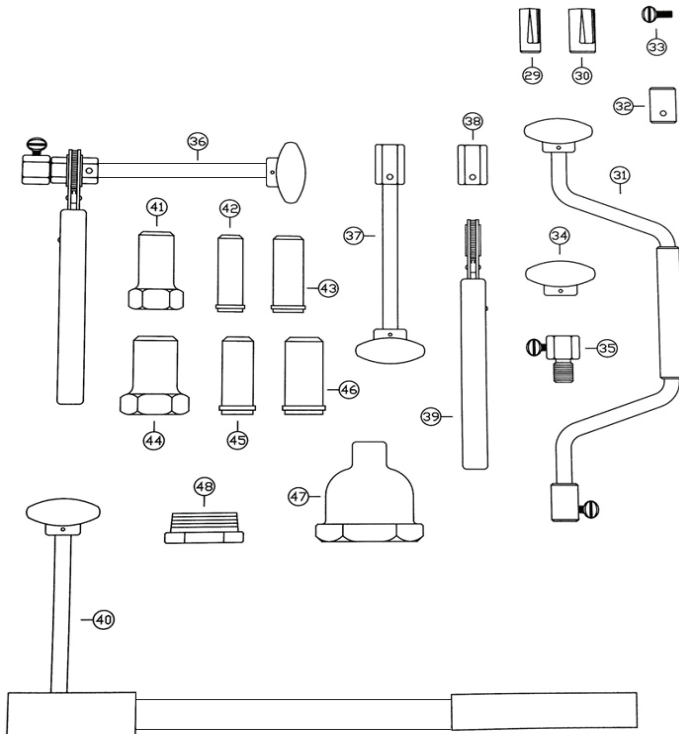


Catalog Number	Component Description	List Price	Illustration Key
3975A	3/4" Drill for IPS (Thin Wall)	\$119.00	1
3901A	1" Drill for IPS (Thin Wall)	\$127.30	2
3915A	1 1/2" Shell Cutter for IPS (Thin Wall)	\$135.60	3
3902A	2" Shell Cutter for IPS (Thin Wall)	\$165.00	4
4904A	4" Sewer Shell Cutter	\$283.90	5
4906A	6" Sewer Shell Cutter	\$350.40	6
7975A	3/4" Carbide Tip A/C Drill	\$281.80	7
7901A	1" Carbide Tip A/C Drill	\$305.80	8
7915A	1 1/2" Carbide Tip A/C Drill	\$376.40	9
7902A	2" Carbide Tip A/C Drill	\$412.60	10
7903A	3" Carbide Tip A/C Drill	\$592.40	11
7904A	4" Carbide Tip A/C Drill	\$824.50	12
7906A	6" Carbide Tip A/C Drill	\$1,172.60	13
7908A	8" Carbide Tip A/C Drill	\$1,521.10	14
9075A	3/4" C-900 Drill (Integral Shank)	\$154.20	15
9100A	1" C-900 Drill (Integral Shank)	\$177.30	16
9150A	1 1/2" C-900 Shell Cutter	\$217.40	17
9200A	2" C-900 Shell Cutter	\$287.80	18
9300A	3" C-900 Shell Cutter	\$237.10	19
9400A	4" C-900 Shell Cutter	\$329.80	20
9600A	6" C-900 Shell Cutter	\$468.90	21

DRILLS & CUTTERS

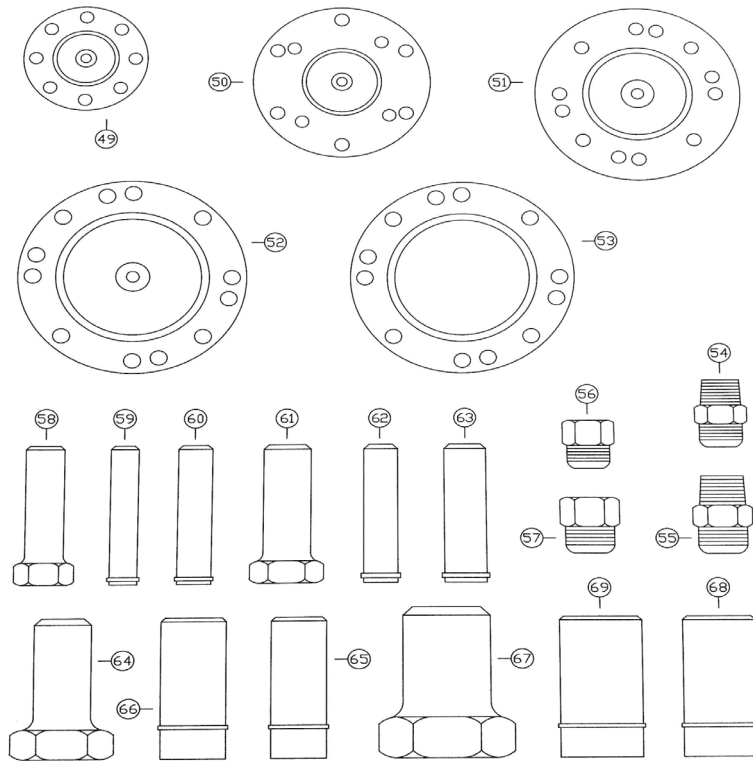
Catalog Number	Component Description	List Price	Illustration Key
9800A	8" C-900 Shell Cutter	\$608.50	22
9075DP	3/4" Cutter for /Dual Purpose Shank	\$190.00	29
9100DP	1" Cutter for /Dual Purpose Shank	\$284.60	30

DRILLS & CUTTERS - HANDLES - ADAPTERS



Catalog Number	Component Description	List Price	Illustration Key
3901J	Complete Speed Handle for 3/4" & 1" Drill	\$71.90	31
3901J1	Speed Handle Coupler	\$16.10	32
3901J2	Speed Handle Thumb Screw	\$2.00	33
3901J3	Knob Only for Speed Handle	\$20.70	34
3901P	P- Adapter for 3/4" and 1" Ratchet	\$41.90	35
3902D	Complete Ratchet for Sizes Below 6"	\$268.20	36
3902D1	Ratchet Knob, Shaft & Coupler Only (Specify 3/4" or 7/8")	\$67.10	37
3902D2	Ratchet Coupler Only (Specify 3/4" or 7/8")	\$22.90	38
3902D3	Ratchet Only for Sizes Below 6" (Specify 3/4" or 7/8")	\$137.90	39
3906I	Complete Ratchet for 6" and 8" Drill	\$468.70	t

ADAPTERS



Catalog Number	Component Description	List Price	Illustration Key
3975F	3/4" Flare Adapter	\$90.50	41
3975C	3/4" CTS Compression Adapter	\$90.50	42
3975I	3/4" IPS Compression Adapter	\$90.50	43
3901F	1" Flare Adapter	\$103.40	44
3901C	1" CTS Compression Adapter	\$103.40	45
3901I	1" IPS Compression Adapter	\$103.40	46
3902F	2" Female Iron Pipe (FIP) Adapter	\$152.10	47
3902H*	2" NPT X 1 1/2" NPT Bushing	\$47.30	48
3903D	3" Pack-Off Plate (Flanged & MJ Valve)	\$169.70	49
3904D	4" Pack-Off Plate (Flanged & MJ Valve)	\$188.80	50
3906D	6" Pack-Off Plate (Flanged & MJ Valve)	\$424.00	51
3908D	8" Pack-Off Plate (Flanged & MJ Valve)	\$690.70	52
3908F	8" Adapter Plate Bushing	\$328.50	53
3975Q	3/4" Male Iron Pipe (MIP) X Flare Bushing	\$37.30	54
3901Q	1" Male Iron Pipe (MIP) X Flare Bushing	\$37.30	55
3975R	3/4" Female Iron Pipe (MIP) X Flare Bushing	\$37.30	56
3901R	1" Female Iron Pipe (MIP) X Flare Bushing	\$37.30	57
9075F	3/4" C900 Flare Adapter	\$117.00	58
9075C	3/4" C900 CTS Compression Adapter	\$117.00	59
9075I	3/4" C900 IPS Compression Adapter	\$117.00	60
9100F	1" C900 Flare Adapter	\$130.40	61
9100C	1" C900 CTS Compression Adapter	\$130.40	62
9100I	1" C900 IPS Compression Adapter	\$130.40	63

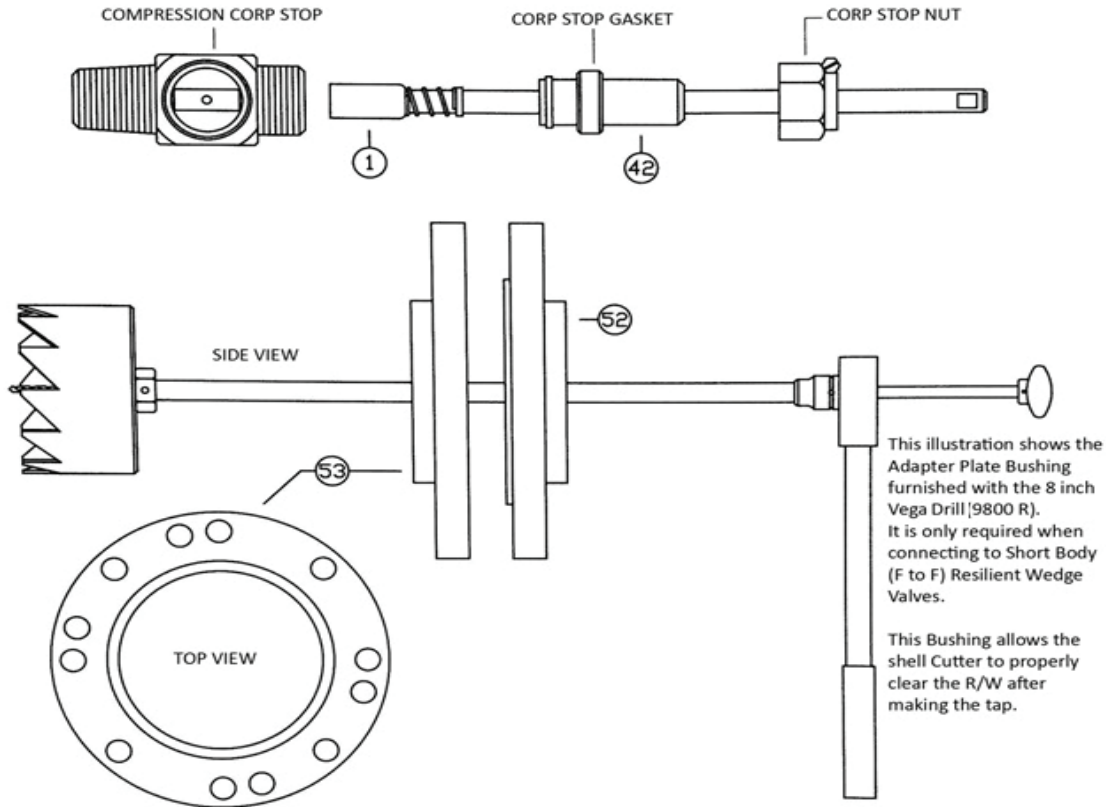
ADAPTERS

Catalog Number	Component Description	List Price	Illustration Key
9150F	1 1/2" Flare Adapter	\$180.80	64
9150C	1 1/2" C900 CTS Compression Adapter	\$180.80	65
9150I	1 1/2" C900 IPS Compression Adapter	\$180.80	66
9200F	2" Flare Adapter	\$192.30	67
9200C	2" C900 CTS Compression Adapter	\$192.30	68
9200I	2" C900 IPS Compression Adapter	\$192.30	69

ADAPTERS DETAIL

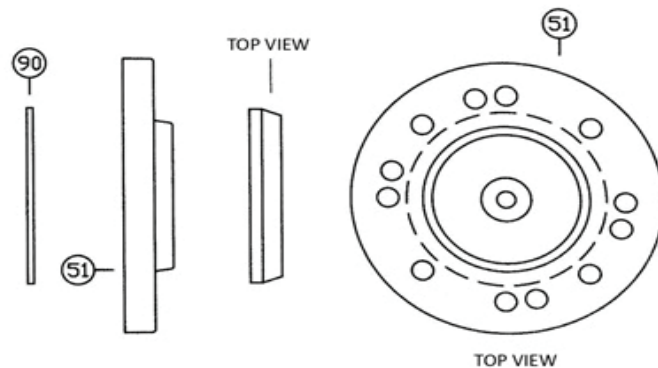
* Use with the 2" FIP Adapter to make a 1 1/2" FIP Adapter.

This illustration shows the assembly of a 3/4 inch Vega Drill and Compression Adapter to a compression Corporation Stop.



This illustration to the right shows that the Pack-Off Plate Adapters are designed to connect to both Flanged and Mechanical Joint Valves. The Adapter is shipped with a Flat Face Flange Gasket glued in place, but the Adapter can be reversed in the field and used with a Standard MJ Gasket.

This design feature also requires the two different Bolt Circle patterns as shown.



MISC. PARTS / VEGADRILLS

Catalog Number	Component Description	List Price	Illustration Key
3905F	Shaft Only for 1 1/2", 2", 3" & 4" Cutters	\$57.30	70
3905F1	Jam Nut (5/8") for 2" & 4" Shaft	\$2.70	71
3906T	Shaft Only for 6" and 8" Shell Cutter	\$85.40	72
9200T	Shaft for 1 1/2" & 2" C900 Shell Cutter	\$75.50	73
3902G	1 1/2" & 2" Pilot Drill	\$11.60	74
9200G	1 1/2" & 2" C900 Pilot Drill	\$14.20	75
3903G	3" Pilot Drill	\$11.60	76
3904G	4" Pilot Drill	\$11.60	77
3906G	6" Pilot Drill	\$14.20	78
3908G	8" Pilot Drill	\$27.20	79
3901Y	SpiraLok Ring & Washer for 3/4" & 1" Drills	\$3.20	80
3901Z	Chip Retainer Spring for 3/4" & 1" Drills	\$3.40	81
9100Z	Chip Retainer Spring for 3/4" & 1" C900 Drills	\$6.90	82
3901V	Small O-Ring for 3/4" and 1" Adapters	\$2.00	83
3901W	Larger O-Ring for 3/4" Flare Adapter	\$2.10	84
3901X	Large O-Ring for 1" Flare Adapter	\$2.30	85
3904F	O-Ring for 2" FIP Adapter & 3" and 4" Pack-Off Plate	\$2.00	86
3906F	O-Ring for 6" and 8" Pack-Off Plate	\$2.00	87
3903E	3" Pack-Off Plate Gasket	\$12.10	88
3904E	4" Pack-Off Plate Gasket	\$12.10	89
3906E	6" Pack-Off Plate Gasket	\$18.10	90
3908E	8" Pack-Off Plate Gasket	\$21.80	91

MISC

