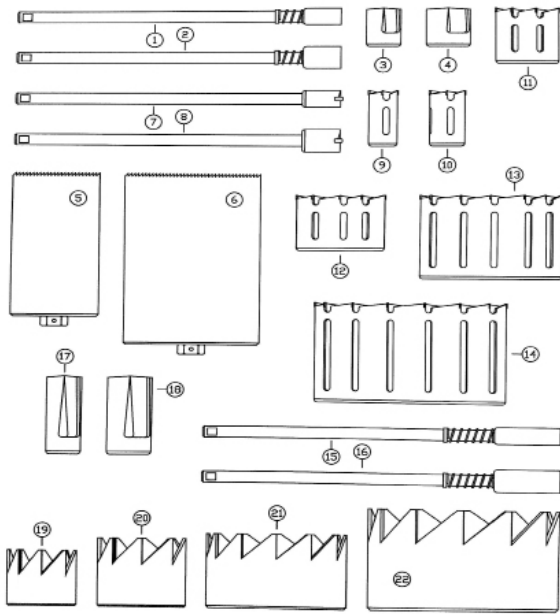


**DRILLS & CUTTERS**

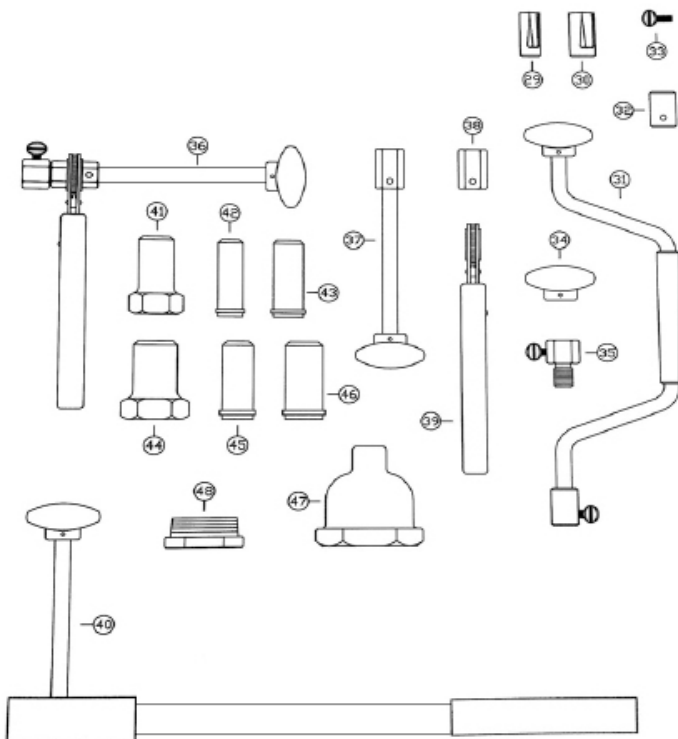


Catalog Number	Component Description	List Price	Illustration Key
3975A	3/4" Drill for IPS (Thin Wall)	\$119.00	1
3901A	1" Drill for IPS (Thin Wall)	\$127.30	2
3915A	1 1/2" Shell Cutter for IPS (Thin Wall)	\$135.60	3
3902A	2" Shell Cutter for IPS (Thin Wall)	\$165.00	4
4904A	4" Sewer Shell Cutter	\$283.90	5
4906A	6" Sewer Shell Cutter	\$350.40	6
7975A	3/4" Carbide Tip A/C Drill	\$281.80	7
7901A	1" Carbide Tip A/C Drill	\$305.80	8
7915A	1 1/2" Carbide Tip A/C Drill	\$376.40	9
7902A	2" Carbide Tip A/C Drill	\$412.60	10
7903A	3" Carbide Tip A/C Drill	\$592.40	11
7904A	4" Carbide Tip A/C Drill	\$824.50	12
7906A	6" Carbide Tip A/C Drill	\$1,172.60	13
7908A	8" Carbide Tip A/C Drill	\$1,521.10	14
9075A	3/4" C-900 Drill (Integral Shank)	\$154.20	15
9100A	1" C-900 Drill (Integral Shank)	\$177.30	16
9150A	1 1/2" C-900 Shell Cutter	\$217.40	17
9200A	2" C-900 Shell Cutter	\$287.80	18
9300A	3" C-900 Shell Cutter	\$237.10	19
9400A	4" C-900 Shell Cutter	\$329.80	20
9600A	6" C-900 Shell Cutter	\$468.90	21

## DRILLS & CUTTERS

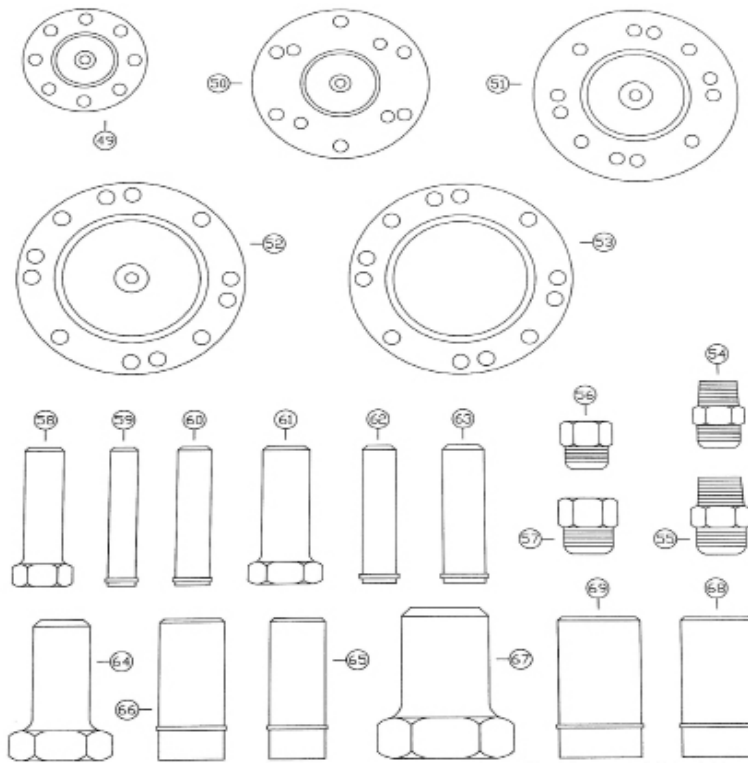
Catalog Number	Component Description	List Price	Illustration Key
9800A	8" C-900 Shell Cutter	\$608.50	22
9075DP	3/4" Cutter for /Dual Purpose Shank	\$190.00	29
9100DP	1" Cutter for /Dual Purpose Shank	\$284.60	30

## DRILLS & CUTTERS - HANDLES - ADAPTERS



Catalog Number	Component Description	List Price	Illustration Key
3901J	Complete Speed Handle for 3/4" & 1" Drill	\$71.90	31
3901J1	Speed Handle Coupler	\$16.10	32
3901J2	Speed Handle Thumb Screw	\$2.00	33
3901J3	Knob Only for Speed Handle	\$20.70	34
3901P	P- Adapter for 3/4" and 1" Ratchet	\$41.90	35
3902D	Complete Ratchet for Sizes Below 6"	\$268.20	36
3902D1	Ratchet Knob, Shaft & Coupler Only (Specify 3/4" or 7/8")	\$67.10	37
3902D2	Ratchet Coupler Only (Specify 3/4" or 7/8")	\$22.90	38
3902D3	Ratchet Only for Sizes Below 6" (Specify 3/4" or 7/8")	\$137.90	39
3906I	Complete Ratchet for 6" and 8" Drill	\$468.70	t

**ADAPTERS**



Catalog Number	Component Description	List Price	Illustration Key
3975F	3/4" Flare Adapter	\$90.50	41
3975C	3/4" CTS Compression Adapter	\$90.50	42
3975I	3/4" IPS Compression Adapter	\$90.50	43
3901F	1" Flare Adapter	\$103.40	44
3901C	1" CTS Compression Adapter	\$103.40	45
3901I	1" IPS Compression Adapter	\$103.40	46
3902F	2" Female Iron Pipe (FIP) Adapter	\$152.10	47
3902H*	2" NPT X 1 1/2" NPT Bushing	\$47.30	48
3903D	3" Pack-Off Plate (Flanged & MJ Valve)	\$169.70	49
3904D	4" Pack-Off Plate (Flanged & MJ Valve)	\$188.80	50
3906D	6" Pack-Off Plate (Flanged & MJ Valve)	\$424.00	51
3908D	8" Pack-Off Plate (Flanged & MJ Valve)	\$690.70	52
3908F	8" Adapter Plate Bushing	\$328.50	53
3975Q	3/4" Male Iron Pipe (MIP) X Flare Bushing	\$37.30	54
3901Q	1" Male Iron Pipe (MIP) X Flare Bushing	\$37.30	55
3975R	3/4" Female Iron Pipe (MIP) X Flare Bushing	\$37.30	56
3901R	1" Female Iron Pipe (MIP) X Flare Bushing	\$37.30	57
9075F	3/4" C900 Flare Adapter	\$117.00	58
9075C	3/4" C900 CTS Compression Adapter	\$117.00	59
9075I	3/4" C900 IPS Compression Adapter	\$117.00	60
9100F	1" C900 Flare Adapter	\$130.40	61
9100C	1" C900 CTS Compression Adapter	\$130.40	62
9100I	1" C900 IPS Compression Adapter	\$130.40	63

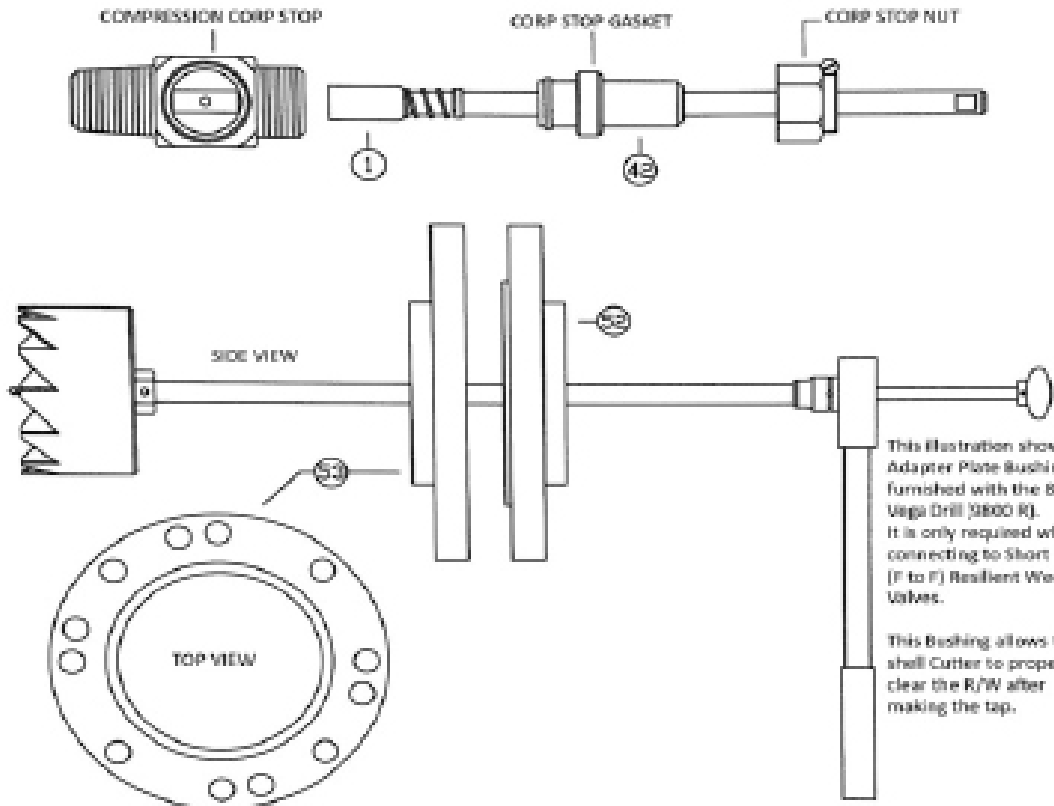
## ADAPTERS

Catalog Number	Component Description	List Price	Illustration Key
9150F	1 1/2" Flare Adapter	\$180.80	64
9150C	1 1/2" C900 CTS Compression Adapter	\$180.80	65
9150I	1 1/2" C900 IPS Compression Adapter	\$180.80	66
9200F	2" Flare Adapter	\$192.30	67
9200C	2" C900 CTS Compression Adapter	\$192.30	68
9200I	2" C900 IPS Compression Adapter	\$192.30	69

## ADAPTERS DETAIL

\* Use with the 2" FIP Adapter to make a 1 1/2" FIP Adapter.

This illustration shows the assembly of a 3/4 inch Vega Drill and Compression Adapter to a compression Corporation Stop.

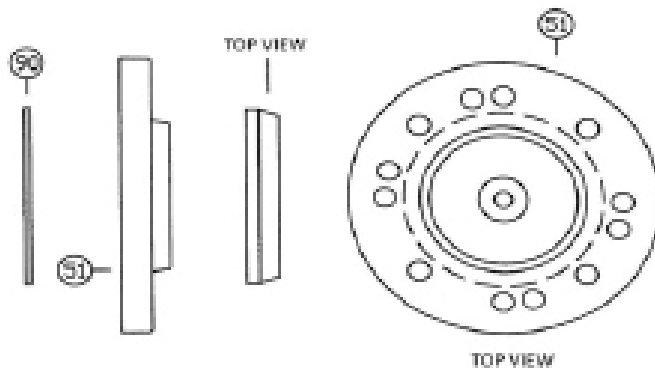


This illustration shows the Adapter Plate Bushing furnished with the Birch Vega Drill (3800 R). It is only required when connecting to Short Body (F to F) Resilient Wedge Valves.

This Bushing allows the shell Cutter to properly clear the R/W after making the tap.

This illustration to the right shows that the Pack-Off Plate Adapters are designed to connect to both Flanged and Mechanical Joint Valves. The Adapter is shipped with a Flat Face Flange Gasket glued in place, but the Adapter can be reversed in the field and used with a Standard MJ Gasket.

This design feature also requires the two different Bolt Circle patterns as shows.



**MISC. PARTS / VEGADRILLS**

Catalog Number	Component Description	List Price	Illustration Key
3905F	Shaft Only for 1 1/2", 2", 3" & 4" Cutters	\$57.30	70
3905F1	Jam Nut (5/8") for 2" & 4" Shaft	\$2.70	71
3906T	Shaft Only for 6" and 8" Shell Cutter	\$85.40	72
9200T	Shaft for 1 1/2" & 2" C900 Shell Cutter	\$75.50	73
3902G	1 1/2" & 2" Pilot Drill	\$11.60	74
9200G	1 1/2" & 2" C900 Pilot Drill	\$14.20	75
3903G	3" Pilot Drill	\$11.60	76
3904G	4" Pilot Drill	\$11.60	77
3906G	6" Pilot Drill	\$14.20	78
3908G	8" Pilot Drill	\$27.20	79
3901Y	SpiraLok Ring & Washer for 3/4" & 1" Drills	\$3.20	80
3901Z	Chip Retainer Spring for 3/4" & 1" Drills	\$3.40	81
9100Z	Chip Retainer Spring for 3/4" & 1" C900 Drills	\$6.90	82
3901V	Small O-Ring for 3/4" and 1" Adapters	\$2.00	83
3901W	Larger O-Ring for 3/4" Flare Adapter	\$2.10	84
3901X	Large O-Ring for 1" Flare Adapter	\$2.30	85
3904F	O-Ring for 2" FIP Adapter & 3" and 4" Pack-Off Plate	\$2.00	86
3906F	O-Ring for 6" and 8" Pack-Off Plate	\$2.00	87
3903E	3" Pack-Off Plate Gasket	\$12.10	88
3904E	4" Pack-Off Plate Gasket	\$12.10	89
3906E	6" Pack-Off Plate Gasket	\$18.10	90
3908E	8" Pack-Off Plate Gasket	\$21.80	91

**MISC**

