



3506

ALL DUCTILE IRON POWERMAX

Wide range cast coupling

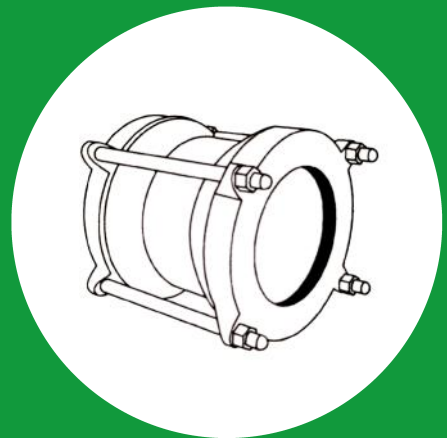


Model 3506



Never go to the site with the wrong coupling

- Ductile Iron construction
- Pipe sizes 2" - 16"
- Up to 350 PSI working pressure
- STAB-FIT (no disassembly required)
- Optional pipe stops
- Largest gasket sealing area available
- 5/8" bolts allow use of common waterworks wrench
- Angular deflection up to 8°
- American design for American markets
- Designed per AWWA C153 and C219



2-2018

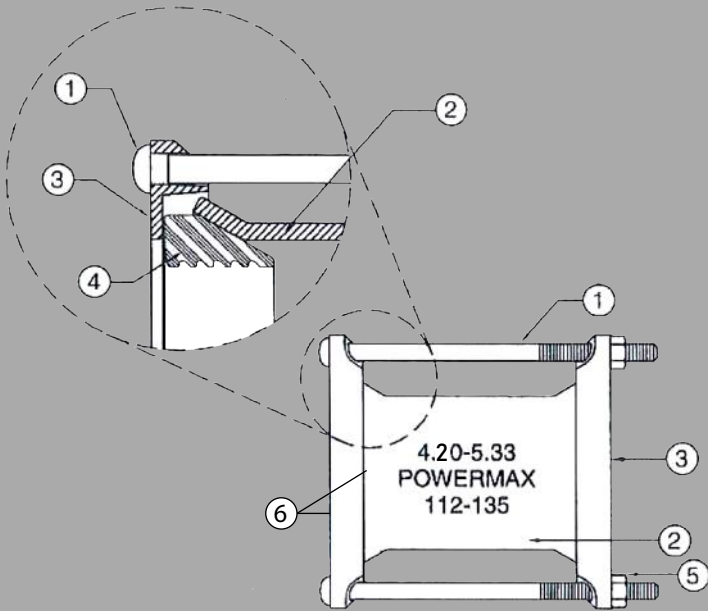
1-800-800-0932

www.powerseal.com • 701 Pleasant View Drive Wichita Falls, TX 76306 • 940-767-5566 fax: 940-723-8378

FITTING SOLUTIONS FOR HARSH ENVIRONMENTS



COMPONENT REFERENCE



FEATURES AND BENEFITS

- One range fits all pipe O.D.s IPS PVC to Rough Barrel AC.
- Drastically reduces inventory.
- One coupling replaces two and sometimes three of old style transition couplings.
- 304/316 SS Hardware available.

OD CHART

PIPE SIZE		PIPE O.D. RANGES		WEIGHT		BARREL LENGTH		BOLT QTY	
in.	mm.	in.	mm.	lbs.	kgs.	in.	mm.		
2	50	A	2.30 - 2.90	58 - 74	16	8	5	125	2
3	80	A	3.40 - 4.20	86 - 107	21	10	5	125	3
4*	100	A	4.20 - 5.33	107 - 135	27	13	6	150	4
6*	150	A	6.25 - 7.45	159 - 189	36	17	6	150	5
8*	200	A	8.40 - 9.79	214 - 249	60	28	10	250	6
10	250	A	10.70 - 12.12	272 - 308	75	34	10	250	7
12	300	A	12.75 - 14.38	324 - 365	130	59	10	250	8
14	350	A	15.25 - 16.90	387 - 429	148	67	12	300	10
16	400	A	16.00 - 17.80	406 - 452	180	82	12	300	10
		B	17.40 - 19.00	442 - 483	180	82	12	300	10

* Pipe diameters less than IPS/STEEL rated up to 50 psi work pressure.

MATERIAL SPECIFICATIONS

ASSEMBLY BILL OF MATERIALS

ITEM	PART NUM	MATERIAL	MAT. SPEC.
1	Bolt	Low Alloy Steel	ASTM A325
2	PowerMax Barrel	Ductile Iron	ASTM A536
3	End Gland	Ductile Iron	ASTM A536
4	Gasket	Styrene Butadiene Rubber (SBR)	ASTM D2000
5	Nut	Low Alloy Steel	ASTM A563
6	Coating	Epoxy	AWWA C210

1-800-800-0932

www.powerseal.com • 940-767-5566 fax: 940-723-8378
701 Pleasant View Drive Wichita Falls, TX 76306



Model 3506



FITTING SOLUTIONS FOR HARSH ENVIRONMENTS