



PowerSeal

PIPELINE PRODUCTS CORPORATION



Couplings
January 2015

3501 TRANSITION COUPLING

CENTER BARREL: Ductile Iron per ASTM A536 and AWWA C219.

GASKET: SBR per ASTM D2000 with transition design produced from 100% new rubber to ensure performance under varying pressures with superior storage characteristics per AWWA C219. Suitable for mild acids, water and salt media with a temperature range of -25° to +200° F. Other materials available.

BOLTS & NUTS: Low Alloy Steel per ASTM A325, ASTM A563, and AWWA C219. Type 304 (18-8) Stainless Steel per ASTM A193 and A194.

GLANDS: Ductile Iron per ASTM A536 and AWWA C219.

FINISH: Epoxy.



Nominal Pipe Size		Pipe OD Range		Approx. Weight		Barrel Length		Bolts	Part Number	List Price	Part Number w/ SST N&Bs	List Price w/ SST N&Bs	
Inches	MM	Inches	MM	lbs	kgs	Inches	MM	Qty					
2	50	A	2.35-2.63	60-67	8	4	5	125	2	350102A00000	\$ 71.20	350102A0SS00	\$ 106.50
2 1/2	65	A	2.69-2.88	68-73	10	5	5	125	2	3501025A0000	\$ 92.00	3501025ASS00	\$ 130.40
3	80	A	3.25-3.55	83-90	13	6	5	125	3	350103A00000	\$ 117.00	350103A0SS00	\$ 198.10
		B	3.70-4.00	94-102						350103B00000		350103B0SS00	
		C	3.95-4.25	100-108						350103C00000		350103C0SS00	
4	100	OD	4.00-4.13	102-105	19	8	6	150	4	3501040D0000	\$ 146.20	3501040DSS00	\$ 218.80
		AA	4.20-4.50	107-144						350104AA0000		350104AASS00	
		A	4.50-4.85	114-123						350104A00000		350104A0SS00	
		B	4.80-5.10	122-130						350104B00000		350104B0SS00	
		C	5.05-5.40	128-137						350104C00000		350104C0SS00	
6	150	OD	6.00-6.14	152-156	27	12	6	150	5	3501060D0000	\$ 187.50	3501060DSS00	\$ 260.30
		AA	6.27-6.72	159-171						350106AA0000		350106AASS00	
		A	6.62-6.95	168-177						350106A00000		350106A0SS00	
		B	6.90-7.22	175-183						350106B00000		350106B0SS00	
		C	7.19-7.45	183-189						350106C00000		350106C0SS00	
8	200	OD	8.00-8.16	203-207	38	17	6	150	6	3501080D0000	\$ 237.00	3501080DSS00	\$ 326.60
		AA	8.40-8.82	213-224						350108AA0000		350108AASS00	
		A	8.62-9.05	219-230						350108A00000		350108A0SS00	
		B	9.05-9.45	230-240						350108B00000		350108B0SS00	
		C	9.10-9.79	231-249						350108C00000		350108C0SS00	
10	250	A	10.70-11.10	272-282	52	24	6	150	7	350110A00000	\$ 329.10	350110A0SS00	\$ 429.10
		B	11.10-11.50	282-292						350110B00000		350110B0SS00	
		C	11.60-12.12	295-308						350110C00000		350110C0SS00	
12	300	A	12.75-13.20	324-335	70	32	6	150	8	350112A00000	\$ 396.30	350112A0SS00	\$ 521.60
		B	13.20-13.50	335-343						350112B00000		350112B0SS00	
		C	13.78-14.38	350-365						350112C00000		350112C0SS00	
14	350	A	15.30-15.70	389-399	91	41	6	150	9	350114A00000	\$ 666.70	350114A0SS00	\$ 855.20
		B	16.00-16.40	406-417						350114B00000		350114B0SS00	
		C	16.40-16.88	417-429						350114C00000		350114C0SS00	
16	400	A	17.15-17.40	436-442	105	48	6	150	10	350116A00000	\$ 886.50	350116A0SS00	\$ 1,137.10
		B	17.40-17.80	442-457						350116B00000		350116B0SS00	
		C	18.46-19.00	469-483						350116C00000		350116C0SS00	

3501 TRANSITION COUPLING

Nominal Pipe Size		Pipe OD Range		Approx. Weight		Barrel Length		Bolts	Part Number	List Price	Part Number w/ SST N&Bs	List Price w/ SST N&Bs	
Inches	MM	Inches	MM	lbs	kgs	Inches	MM	Qty					
18	450	A	18.70-19.10	475-485	128	58	7	180	12	350118A00000	\$ 1,156.80	350118A0SS00	\$ 1,313.10
		B	19.10-19.70	485-500						350118B00000		350118B0SS00	
		C	19.70-20.25	500-514						350118C00000		350118C0SS00	
20	500	A	20.80-21.35	528-542	140	64	7	180	12	350120A00000	\$ 1,538.90	350120A0SS00	\$ 1,711.40
		B	21.35-21.75	542-552						350120B00000		350120B0SS00	
		C	21.75-22.25	552-565						350120C00000		350120C0SS00	
24	600	A	25.00-25.80	635-655	230	105	10	250	14	350124A00000	\$ 2,359.80	350124A0SS00	\$ 2,573.50
		B	26.10-26.32	663-669						350124B00000		350124B0SS00	
30	750	A	31.74-32.00	806-813	280	127	10	250	14	350130A00000	\$ 4,072.70	350130A0SS00	POA
		B	32.40-32.74	823-832						350130B00000		350130B0SS00	
36	900	AA	37.93-38.54	963-979	919	418	16	400	16	350136AA0000	\$ 16,515.70	350136AASS00	POA
		A	38.54-39.16	979-995						350136A00000		350136A0SS00	
		B	39.16-39.55	995-1005						350136B00000		350136B0SS00	
		C	39.55-40.05	1005-1007						350136C00000		350136C0SS00	
48	1200	AA	50.10-50.72	1273-1288	1531	696	16	400	16	350148AA0000	\$ 20,916.00	350148AASS00	POA
		A	50.72-51.34	1288-1304						350148A00000		350148A0SS00	
		B	51.34-51.72	1304-1314						350148B00000		350148B0SS00	
		C	51.72-52.06	1314-1322						350148C00000		350148C0SS00	

Note: Protection against possible pull out of pipe ends is not provided with cast couplings unless pipe is restrained. Any combination of Pipe OD Ranges can be paired within a nominal Pipe Size to make a Transition connection. Example: to connect 4 inch Steel (4.50 OD) to 4 inch Asbestos-Cement (5.33 OD) order the 4AC Coupling. The 'A' Range will fit 4.50 to 4.85 pipe ODs and the 'C' range fits 5.05 to 5.40 pipe ODs.

HOW TO ORDER: Specify Model Number, Pipe Size with Letter Code(s). **EXAMPLE:** 6" Steel O.D. 6.63 to 6" Asbestos Cement O.D. 7.37. Order 3501 - 6AC. **Part Number:** 350106AC0000 .

Note: The Model 3501 is available in a domestic produced version. Please consult your customer service person concerning this option. Deliveries will vary.



COATING OPTION: Anti-Seizing/Galling protection. Available for both Alloy and SST application. Inquire with sales for cost and availability.

3501LB LONG BARREL TRANSITION COUPLING

CENTER BARREL: Ductile Iron per ASTM A536 and AWWA C219.

GASKET: SBR per ASTM D2000 with transition design produced from 100% new rubber to ensure performance under varying pressures with superior storage characteristics per AWWA C219. Suitable for mild acids, water and salt media with a temperature range of -25° to +200° F. Other materials available

BOLTS & NUTS: Low Alloy Steel per ASTM A325, ASTM A563, and AWWA C219. Type 304 (18-8) Stainless Steel per ASTM A193 and A194.

GLANDS: Ductile Iron per ASTM A536 and AWWA C219.

FINISH: Epoxy.



Nominal Pipe Size		Pipe OD Range		Approx. Weight		Barrel Length		Bolts	Part Number	List Price	Part Number w/ SST N&Bs	List Price w/ SST N&Bs	
Inches	MM	Inches	MM	lbs	kgs	Inches	MM	Qty					
2	50	A	2.35-2.63	60-67	13	6	12	300	2	350102A000LB	\$ 246.10	350102A0SSLB	\$ 295.40
4	100	OD	4.00-4.13	102-105	32	15	12	300	4	350104D000LB	\$ 302.70	350104DSSLB	\$ 363.80
		AA	4.20-4.50	107-144						350104AA00LB		350104AASSLB	
		A	4.50-4.85	114-123						350104A000LB		350104A0SSLB	
		B	4.80-5.10	122-130						350104B000LB		350104B0SSLB	
		C	5.05-5.40	128-137						350104C000LB		350104C0SSLB	
6	150	OD	6.00-6.14	152-156	45	20	12	300	5	350106D000LB	\$ 373.00	350106DSSLB	\$ 449.30
		AA	6.27-6.72	159-171						350106AA00LB		350106AASSLB	
		A	6.62-6.95	168-177						350106A000LB		350106A0SSLB	
		B	6.90-7.22	175-183						350106B000LB		350106B0SSLB	
		C	7.19-7.45	183-189						350106C000LB		350106C0SSLB	
8	200	OD	8.00-8.16	203-207	56	25	12	300	6	350108D000LB	\$ 476.80	350108DSSLB	\$ 568.40
		AA	8.40-8.82	213-224						350108AA00LB		350108AASSLB	
		A	8.62-9.05	219-230						350108A000LB		350108A0SSLB	
		B	9.05-9.45	230-240						350108B000LB		350108B0SSLB	
		C	9.10-9.79	231-249						350108C000LB		350108C0SSLB	
10	250	A	10.70-11.10	272-282	87	39	12	300	7	350110A000LB	\$ 658.00	350110A0SSLB	\$ 786.30
		B	11.10-11.50	282-292						350110B000LB		350110B0SSLB	
		C	11.60-12.12	295-308						350110C000LB		350110C0SSLB	
12	300	A	12.75-13.20	324-335	122	55	12	300	8	350112A000LB	\$ 773.00	350112A0SSLB	\$ 919.60
		B	13.20-13.50	335-343						350112B000LB		350112B0SSLB	
		C	13.78-14.38	350-365						350112C000LB		350112C0SSLB	
		A	12.75-13.20	324-335	140	62	16	400	350112A000LB-16	\$ 838.30	350112A0SSLB-16	\$ 993.40	
		B	13.20-13.50	335-343					350112B000LB-16		350112B0SSLB-16		
		C	13.78-14.38	350-365					350112C000LB-16		350112C0SSLB-16		
14	350	A	15.30-15.70	389-399	133	60	12	300	9	350114A000LB	\$ 1,094.50	350114A0SSLB	\$ 1,269.00
		B	16.00-16.40	406-417						350114B000LB		350114B0SSLB	
		C	16.40-16.88	417-429						350114C000LB		350114C0SSLB	

3501LB LONG BARREL TRANSITION COUPLING

Nominal Pipe Size		Pipe OD Range		Approx. Weight		Barrel Length		Bolts	Part Number	List Price	Part Number w/ SST N&Bs	List Price w/ SST N&Bs	
Inches	MM	Inches	MM	lbs	kgs	Inches	MM	Qty					
16	400	A	17.15-17.40	436-442	144	65	12	300	10	350116A000LB	\$ 1,055.60	350116A0SSLB	\$ 1,312.20
		B	17.40-17.80	442-457						350116B000LB		350116B0SSLB	
		C	18.46-19.00	469-483						350116C000LB		350116C0SSLB	
		A	17.15-17.40	436-442	180	80	16	400		350116A000LB-16	350116A0SSLB-16	\$ 1,510.60	
		B	17.40-17.80	442-457						350116B000LB-16	350116B0SSLB-16		
		C	18.46-19.00	469-483						350116C000LB-16	350116C0SSLB-16		
18	450	A	18.70-19.10	475-485	185	84	12	300	12	350118A000LB	\$ 1,766.80	350118A0SSLB	\$ 1,999.50
		B	19.10-19.70	485-500						350118B000LB		350118B0SSLB	
		C	19.70-20.25	500-514						350118C000LB		350118C0SSLB	
20	500	A	20.80-21.35	528-542	225	102	12	300	12	350120A000LB	\$ 2,006.30	350120A0SSLB	\$ 2,239.00
		B	21.35-21.75	542-552						350120B000LB		350120B0SSLB	
		C	21.75-22.25	552-565						350120C000LB		350120C0SSLB	
24	600	A	25.00-25.80	635-655	322	146	12	300	14	350124A000LB	\$ 3,647.90	350124A0SSLB	\$ 4,002.90
		B	26.10-26.32	663-669						350124B000LB		350124B0SSLB	

Note: Protection against possible pull out of pipe ends is not provided with cast couplings unless pipe is restrained. Any combination of Pipe OD Ranges can be paired within a nominal Pipe Size to make a Transition connection. For example, to connect 4 inch Steel (4.50 OD) to 4 inch Asbestos-Cement (5.33 OD) order the 4AC Coupling. The 'A' Range will fit 4.50 to 4.85 pipe ODs and the 'C' range fits 5.05 to 5.40 pipe ODs.

HOW TO ORDER: Specify Model Number, Pipe Size with Letter Code(s). **EXAMPLE:** 6" Steel O.D. 6.63 to 6" Asbestos Cement O.D. 7.37. Order 3501LB - 6AC. **Part Number:** 350106AC00LB .



COATING OPTION: Anti-Seizing/Galling protection. Available for both Alloy and SST application. Inquire with sales for cost and availability.

3501EC ENDCAP COUPLING

The EndCap Coupling is used to Dead End a pipeline permanently or for test purposes. The 2" NPT plugged outlet can be oriented at the top to vent air or rotated to the bottom of the coupling to function as a drain.

CENTER BARREL: Ductile Iron per ASTM A536 and AWWA C219.

GASKET: SBR per ASTM D2000 with transition design produced from 100% new rubber to ensure performance under varying pressures with superior storage characteristics per AWWA C219. Suitable for mild acids, water and salt media with a temperature range of -25° to +200° F. Other materials available

BOLTS & NUTS: Low Alloy Steel per ASTM A325, ASTM A563, and AWWA C219./ Type 304 (18-8) Stainless Steel per ASTM A193 and A194.

GLANDS: Ductile Iron per ASTM A536 and AWWA C219.

END CAP: Ductile Iron per ASTM A536 and AWWA C219.

FINISH: Epoxy.



Nominal Pipe Size			Pipe OD Range		Approx. Weight		Barrel Length		Bolts	Part Number	List Price	Part Number w/SST N&Bs	List Price w/ SST N&Bs
Inches	MM		Inches	MM	lbs	kgs	Inches	MM	Qty				
2	50	A	2.35-2.63	60-67	10	4	5	125	2	350102A000EC	\$ 113.80	350102A0SSEC	\$ 149.00
2 1/2	65	A	2.69-2.88	68-73	12	5	5	125	2	3501025A00EC	\$ 136.10	3501025ASSEC	\$ 174.40
3	80	A	3.25-3.55	83-90	17	7	5	125	3	350103A000EC	\$ 167.10	350103A0SSEC	\$ 248.30
		B	3.70-4.00	94-102						350103B000EC		350103B0SSEC	
		C	3.95-4.25	100-108						350103C000EC		350103C0SSEC	
4	100	OD	4.00-4.13	102-105	18	8	6	150	4	350104D000EC	\$ 192.30	350104D0SSEC	\$ 264.90
		AA	4.20-4.50	107-144						350104AA00EC		350104AASSEC	
		A	4.50-4.85	114-123						350104A000EC		350104A0SSEC	
		B	4.80-5.10	122-130						350104B000EC		350104B0SSEC	
		C	5.05-5.40	128-137						350104C000EC		350104C0SSEC	
6	150	OD	6.00-6.14	152-156	33	15	6	150	5	350106D000EC	\$ 255.60	350106D0SSEC	\$ 328.40
		AA	6.27-6.72	159-171						350106AA00EC		350106AASSEC	
		A	6.62-6.95	168-177						350106A000EC		350106A0SSEC	
		B	6.90-7.22	175-183						350106B000EC		350106B0SSEC	
		C	7.19-7.45	183-189						350106C000EC		350106C0SSEC	
8	200	OD	8.00-8.16	203-207	45	20	6	150	6	350108D000EC	\$ 337.30	350108D0SSEC	\$ 426.80
		AA	8.40-8.82	213-224						350108AA00EC		350108AASSEC	
		A	8.62-9.05	219-230						350108A000EC		350108A0SSEC	
		B	9.05-9.45	230-240						350108B000EC		350108B0SSEC	
		C	9.10-9.79	231-249						350108C000EC		350108C0SSEC	
10	250	A	10.70-11.10	272-282	67	30	6	150	7	350110A000EC	\$ 585.40	350110A0SSEC	\$ 685.40
		B	11.10-11.50	282-292						350110B000EC		350110B0SSEC	
		C	11.60-12.12	295-308						350110C000EC		350110C0SSEC	
12	300	A	12.75-13.20	324-335	92	41	6	150	8	350112A000EC	\$ 767.00	350112A0SSEC	\$ 892.30
		B	13.20-13.50	335-343						350112B000EC		350112B0SSEC	
		C	13.78-14.38	350-365						350112C000EC		350112C0SSEC	

3501EC ENDCAP COUPLING

Nominal Pipe Size		Pipe OD Range		Approx. Weight		Barrel Length		Bolts	Part Number	List Price	Part Number w/SST N&Bs	List Price w/SST N&Bs	
Inches	MM	Inches	MM	lbs	kgs	Inches	MM	Qty					
14	350	A	15.30-15.70	389-399	CONSULT FACTORY	6	150	9	350114A000EC	\$ 1,066.70	350114A0SSEC	\$ 1,255.20	
		B	16.00-16.40	406-417					350114B000EC		350114B0SSEC		
		C	16.40-16.88	417-429					350114C000EC		350114C0SSEC		
16	400	A	17.15-17.40	436-442		6	150	10	350116A000EC	\$ 1,386.60	350116A0SSEC	\$ 1,637.10	
		B	17.40-17.80	442-457					350116B000EC		350116B0SSEC		
		C	18.46-19.00	469-483					350116C000EC		350116C0SSEC		
18	450	A	18.70-19.10	475-485		7	180	12	350118A000EC	\$ 1,706.80	350118A0SSEC	\$ 3,569.90	
		B	19.10-19.70	485-500					350118B000EC		350118B0SSEC		
		C	19.70-20.25	500-514					350118C000EC		350118C0SSEC		
20	500	A	20.80-21.35	528-542		7	180	12	350120A000EC	\$ 2,138.90	350120A0SSEC	\$ 2,311.40	
		B	21.35-21.75	542-552					350120B000EC		350120B0SSEC		
		C	21.75-22.25	552-565					350120C000EC		350120C0SSEC		
24	600	A	25.00-25.80	635-655		10	250	14	350124A000EC	\$ 3,267.50	350124A0SSEC	\$ 3,504.70	
		B	26.10-26.32	663-669					350124B000EC		350124B0SSEC		
30	750	A	31.74-32.00	806-813		10	250	14	350130A000EC	\$ 4,722.70	350130A0SSEC	POA	
		B	32.40-32.74	823-832					350130B000EC		350130B0SSEC		
36	900	AA	37.93-38.54	963-979		16	400	16	350136AA000EC	\$ 17,215.70	350136AASSEC	POA	
		A	38.54-39.16	979-995					350136A000EC		350136A0SSEC		
36	900	B	39.16-39.55	995-1005		CONSULT FACT	16	400	16	350136B000EC	\$ 17,215.70	350136B0SSEC	POA
		C	39.55-40.05	1005-1007						350136C000EC		350136C0SSEC	
48	1200	AA	50.10-50.72	1273-1288		CONSULT FACT	16	400	16	350148AA000EC	\$ 21,716.00	350148AASSEC	POA
		A	50.72-51.34	1288-1304						350148A000EC		350148A0SSEC	
		B	51.34-51.72	1304-1314						350148B000EC		350148B0SSEC	
		C	51.72-52.06	1314-1322						350148C000EC		350148C0SSEC	

Note: Protection against possible pull out of pipe ends is not provided with cast couplings unless pipe is restrained.

HOW TO ORDER: Specify Model Number, Pipe Size with Letter Code(s). **EXAMPLE:** To connect an end cap coupling to a plain end piece of pipe with an O.D. of 4.80 order 3501EC-4B **Part Number:** 350104B000EC



COATING OPTION: Anti-Seizing/Galling protection. Available for both Alloy and SST application. Inquire with sales for cost and availability.

3504 GALVANIZED COMPRESSION COUPLING

CENTER BARREL: Carbon Steel per AISI C1010-15.

GLANDS: Malleable Iron per ASTM A47.

GASKET: NBR per ASTM D2000 suitable for oil, mild acids, water, and salt media with a temperature range of -40° F to +212° F.

FINISH: Galvanized.



Nominal Pipe Size		Pipe OD Range		Box Weight		Body Length		Box	Part Number	List Price
Inches	MM	Inches	MM	lbs.	kgs	Inches	MM	Qty.		
1/2	15	0.84	21	19	9	4	102	25	350400500000	\$ 25.90
3/4	20	1.05	27	19	9	4.4	111	15	350400750000	\$ 30.10
1	25	1.32	34	16	7	4.5	114	10	350401000000	\$ 35.90
1 1/4	32	1.66	42	12	5	4.5	114	6	350401250000	\$ 45.30
1 1/2	40	1.90	48	15	7	5	127	6	350401500000	\$ 51.30
2	50	2.38	60	21	10	5.4	137	6	350402000000	\$ 63.70

HOW TO ORDER: Specify Model Number and Pipe Size.

3506/3506LB POWERMAX COUPLING

One range fits all pipe ODs IPS PVC to Rough Barrel AC

CENTER BARREL: Ductile Iron per ASTM A536 and AWWA C219.

GLANDS: Ductile Iron per ASTM A536 and AWWA C219.

GASKET: SBR per ASTM D2000 with conical design produced from 100% new rubber to ensure performance under varying pressures with superior storage characteristics per AWWA C219. Suitable for mild acids, water and salt media with a temperature range of -25° to +200° F. Other materials available.

BOLTS & NUTS: Low Alloy Steel per ASTM A325, ASTM A563, and AWWA C219. Type 304 (18-8) Stainless Steel per ASTM A193 and A194.

FINISH: Epoxy.



3506 POWERMAX COUPLING

Nominal Pipe Size			Pipe OD Range		Standard Weight		Standard Barrel Length		Standard Barrel Part Number	List Price	Standard Barrel Part Number w/SST N&Bs	List Price w/SST N&Bs
Inches	MM		Inches	MM	lbs	kgs	Inches	MM				
2	50	A	2.30-2.90	58-74	16	8	5	125	350602A00000	\$ 97.70	350602A0SS00	\$ 168.20
3	80	A	3.40-4.20	86-107	21	10	5	125	350603A00000	\$ 154.90	350603A0SS00	\$ 258.30
4*	100	A	4.20-5.33	107-135	27	13	6	150	350604A00000	\$ 189.00	350604A0SS00	\$ 320.70
6*	150	A	6.25-7.45	159-189	36	17	6	150	350606A00000	\$ 266.50	350606A0SS00	\$ 444.60
8*	200	A	8.40-9.79	214-249	60	28	10	250	350608A00000	\$ 310.90	350608A0SS00	\$ 534.70
10	250	A	10.45-12.12	272-308	75	34	10	250	350610A00000	\$ 390.80	350610A0SS00	\$ 693.40
12	300	A	12.50-14.38	317-365	130	59	10	250	350612A00000	\$ 569.50	350612A0SS00	\$ 809.70
14	350	A	15.25-16.90	387-429	148	67	12	300	350614A00000	\$ 1,585.90	350614A0SS00	\$ 2,219.60
16	400	A	16.00-17.80	406-452	180	82	12	300	350616A00000	\$ 2,643.60	350616A0SS00	\$ 3,698.30
		B	17.40-19.00	442-483	180	82	12	300	350616B00000	\$ 2,643.60	350616B0SS00	\$ 3,698.30

3506LB LONG BARREL POWERMAX COUPLING

Nominal Pipe Size			Pipe OD Range		Long Barrel Weight		Long Barrel Length		Long Barrel Part Number	List Price	Long Barrel Part Number w/SST N&Bs	List Price w/SST N&Bs
Inches	MM		Inches	MM	lbs	kgs	Inches	MM				
2	50	A	2.30-2.90	58-74	22	10	12	300	350602A000LB	\$ 162.80	350602A0SSLB	\$ 258.80
3	80	A	3.40-4.20	86-107	33	15	12	300	350603A000LB	\$ 258.20	350603A0SSLB	\$ 397.40
4*	100	A	4.20-5.33	107-135	37	17	12	300	350604A000LB	\$ 311.00	350604A0SSLB	\$ 490.90
6*	150	A	6.25-7.45	159-189	50	23	12	300	350606A000LB	\$ 394.50	350606A0SSLB	\$ 572.00
8*	200	A	8.40-9.79	214-249	73	33	12	300	350608A000LB	\$ 546.40	350608A0SSLB	\$ 748.40
10	250	A	10.45-12.12	272-308	77	35	12	300	350610A000LB	\$ 638.60	350610A0SSLB	\$ 877.90
12	300	A	12.50-14.38	317-365	113	51	12	300	350612A000LB	\$ 760.10	350612A0SSLB	\$ 1,029.10

Note: Protection against possible pull out of pipe ends is not provided with cast couplings unless pipe is restrained.

*Pipe diameters less than IPS/STEEL rated up to 50 psi work pressure.

HOW TO ORDER: Specify Model Number, Pipe Size with Letter Code(s) if applicable. **EXAMPLE:** 6" Steel O.D. 6.63 to 6" Asbestos Cement O.D. 7.37. Order 3506 - 6A. **Part Number:** 350606A00000

3506AS ALL SS POWERMAX COUPLING

CENTER BARREL: Type 304 (18-8) Stainless Steel per ASTM A240.

GLANDS: Type 304 (18-8) Stainless Steel per ASTM A743.

GASKET: SBR per ASTM D2000 with conical design produced from 100% new rubber to ensure performance under varying pressures with superior storage characteristics per AWWA C219. Suitable for mild acids, water and salt media with a temperature range of -25° to +200° F. Other materials available.

BOLTS & NUTS: Type 304 (18-8) Stainless Steel per ASTM A193 and A194.

NOTE: Hex nuts are furnished to prevent seizing and galling.



Nominal Pipe Size			Pipe OD Range		Approx. Weight		Barrel Length		Bolts	Part Number	List Price
Inches	MM		Inches	MM	lbs	kgs	Inches	MM	Qty		
2	50	A	2.30-2.90	58-74	11	5	5	125	2	350602A000AS	\$ 306.70
3	80	A	3.40-4.20	86-107	14	6.5	6.5	165	3	350603A000AS	\$ 337.40
4*	100	A	4.20-5.33	112-135	18	8.5	6	150	4	350604A000AS	\$ 417.30
6*	150	A	6.25-7.45	166-189	24	11	6	150	5	350606A000AS	\$ 568.10
8*	200	A	8.40-9.79	217-249	40	16.5	10	250	6	350608A000AS	\$ 843.30
10	250	A	10.70-12.12	272-293	46	21	10	250	7	350610A000AS	\$ 1,222.30
12	300	A	12.75-14.38	324-345	56	25.5	10	250	8	350612A000AS	\$ 1,429.00

Note: Protection against possible pull out of pipe ends is not provided with cast couplings unless pipe is restrained.

*Pipe diameters less than IPS/STEEL rated up to 50 psi work pressure.

HOW TO ORDER: Specify Model Number, Pipe Size with Letter Code(s) if applicable. **EXAMPLE:** 6" Steel O.D. 6.63 to 6" Asbestos Cement O.D. 7.37. Order 3506AS - 6A. **Part Number:** 350606A000AS .

3506EC ENDCAP POWERMAX COUPLING

One range fits all pipe ODs IPS PVC to Rough Barrel AC

The EndCap Coupling is used to Dead End a pipeline permanently or for test purposes. The 2" NPT plugged outlet can be oriented at the top to vent air or rotated to the bottom of the coupling to function as a drain.

CENTER BARREL: Ductile Iron per ASTM A536 and AWWA C219.

GASKET: SBR per ASTM D2000 with conical design produced from 100% new rubber to ensure performance under varying pressures with superior storage characteristics per AWWA C219. Suitable for mild acids, water and salt media with a temperature range of -25° to +200° F.

BOLTS & NUTS: Low Alloy Steel per ASTM A325, ASTM A563, and AWWA C219.

Type 304 (18-8) Stainless Steel per ASTM A193 and A194.

GLANDS: Ductile Iron per ASTM A536 and AWWA C219.

END CAP: Ductile Iron per ASTM A536 and AWWA C219.

FINISH: Epoxy.



Nominal Pipe Size			Pipe OD Range		Standard Weight		Standard Barrel Length		Standard Barrel Part Number	List Price	Standard Barrel Part Number w/SST N&Bs	List Price w/SST N&Bs
Inches	MM		Inches	MM	lbs	kgs	Inches	MM				
2	50	A	2.30-2.90	58-74	CONSULT FACTORY		5	125	350602A000EC	\$ 140.40	350602A0SSEC	\$ 210.80
3	80	A	3.40-4.20	86-107			5	125	350603A000EC	\$ 205.10	350603A0SSEC	\$ 308.50
4*	100	A	4.20-5.33	107-135			6	150	350604A000EC	\$ 235.10	350604A0SSEC	\$ 366.90
6*	150	A	6.25-7.45	159-189			6	150	350606A000EC	\$ 334.60	350606A0SSEC	\$ 512.80
8*	200	A	8.40-9.79	214-249			10	250	350608A000EC	\$ 411.20	350608A0SSEC	\$ 635.00
10	250	A	10.45-12.12	272-308			10	250	350610A000EC	\$ 647.20	350610A0SSEC	\$ 949.80
12	300	A	12.50-14.38	317-365			10	250	350612A000EC	\$ 940.30	350612A0SSEC	\$ 1,180.50
14	350	A	15.25-16.90	387-429			12	300	350614A000EC	\$ 969.50	350614A0SSEC	\$ 1,209.70
16	400	A	16.00-17.80	406-452			12	300	350616A000EC	\$ 3,143.70	350616A0SSEC	\$ 4,198.40
		B	17.40-19.00	442-483			12	300	350616B000EC	\$ 3,143.70	350616B0SSEC	\$ 4,198.40

Note: Protection against possible pull out of pipe ends is not provided with cast couplings unless pipe is restrained.

* Pipe diameters less than IPS/STEEL rated up to 50 psi work pressure.

HOW TO ORDER: Specify Model Number, Pipe Size with Letter Code(s) if applicable. **EXAMPLE:** 6" Steel O.D. 6.63. Order 3506EC - 6A. **Part Number:** 350606A000EC .



COATING OPTION: Anti-Seizing/Galling protection. Available for both Alloy and SST application. Inquire with sales for cost and availability.

MODEL 3506R POWERMAX REDUCING COUPLING

CENTER BARREL: Ductile Iron per ASTM A536 and AWWA C219.

GLANDS: Ductile Iron per ASTM A536 and AWWA C219.

GASKET: SBR per ASTM D2000 with conical design produced from 100% new rubber to ensure performance under varying pressures with superior storage characteristics per AWWA C219. Suitable for mild acids, water and salt media with a temperature range of -25° to +200° F.

BOLTS & NUTS: Low Alloy Steel per ASTM A325, ASTM A563, and AWWA C219./Type 304 (18-8) Stainless Steel per ASTM A193 and A194.

FINISH: Epoxy.



Nominal Pipe Size		Pipe OD Ranges Other End		Pipe OD Ranges Other End		Part Number	List Price	Part Number	List Price w/SST N&Bs	Weight		Barrel Length	
Inches	MM	Inches	MM	Inches	MM					lbs	kgs	Inches	MM
4x3	100x75	4.20-5.33	107-135	3.40-4.20	86-107	35060400300R	\$ 256.90	350604003SSR	\$ 299.90	40	18	12	300
6x4	150x100	6.25-7.45	159-789	4.20-5.33	107-135	35060600400R	\$ 337.80	350606004SSR	\$ 391.50	50	23	12	300
8x6	200x150	8.40-9.79	214-249	6.25-7.45	159-789	35060800600R	\$ 433.00	350608006SSR	\$ 497.40	64	29	12	300
10x8	250x200	10.45-12.12	272-308	8.40-9.79	214-249	35061000800R	\$ 610.30	350610008SSR	\$ 697.50	98	45	16	400
12x10	300x250	12.50-14.38	324-365	10.45-12.12	272-308	35061201000R	\$ 821.40	350612010SSR	\$ 897.30	134	61	16	400

Note: Protection against possible pull out of pipe ends is not provided with cast couplings unless pipe is restrained. Pipe diameters less than IPS/STEEL rated up to 50 psi work pressure.

HOW TO ORDER: Specify Model Number, Pipe Sizes. **EXAMPLE:** 8" Asbestos Cement OD 9.37 to 6" C900 OD 6.90, order 3506R-8x6. **Part Number:** 35060800600R .

3520 TRANSITION CUTTING-IN SLEEVE

CUT IN SLEEVE BODY: Ductile Iron per ASTM A536 and AWWA C219.

GLANDS: Ductile Iron per ASTM A536 and AWWA C219.

GASKET: SBR per ASTM D2000 with transition design produced from 100% new rubber to ensure performance under varying pressures with superior storage characteristics per AWWA C219. Suitable for mild acids, water and salt media with a temperature range of -25° to +200° F.

BOLTS & NUTS: Low Alloy Steel per ASTM A325, ASTM A563, and AWWA C219.

ANCHOR STUDS: Type 304 (18-8) Stainless Steel. (Optional joint restraint).

FINISH: Epoxy.



Nominal Pipe Size		Pipe OD Range		Approx. Weight		Barrel Length		Standard Unit Part Number	List Price	Anchor Studs Part Number	List Price Anchor studs	Standard Unit Part Number w/SST N&Bs	List Price w/SST N&Bs		
Inches	MM	Inches	MM	lbs	kgs	Inches	MM								
4	100	OD	4.00-4.13	102-105	46	21	17	432	3520040D0000	\$ 653.20	3520040D00AS	3520040DSS00	\$ 829.10		
		AA	4.20-4.50	107-144					352004AA0000					352004AA00AS	352004AASS00
		A	4.50-4.85	114-123					352004A00000					352004A000AS	352004A0SS00
		B	4.80-5.10	122-130					352004B00000					352004B000AS	352004B0SS00
		C	5.05-5.40	128-137					352004C00000					352004C000AS	352004C0SS00
6	150	OD	6.00-6.14	152-156	72	33	17	432	3520060D0000	\$ 796.80	3520060D00AS	3520060D0SS0	\$ 990.80		
		AA	6.27-6.72	159-171					352006AA0000					352006AA00AS	352006AASS00
		A	6.62-6.95	168-177					352006A00000					352006A000AS	352006A0SS00
		B	6.90-7.22	175-183					352006B00000					352006B000AS	352006B0SS00
		C	7.19-7.45	183-189					352006C00000					352006C000AS	352006C0SS00
8	200	OD	8.00-8.16	203-207	92	42	17	432	3520080D0000	\$ 863.40	3520080D00AS	3520080DSS00	\$ 1,056.30		
		AA	8.40-8.82	213-224					352008AA0000					352008AA00AS	352008AASS00
		A	8.62-9.05	219-230					352008A00000					352008A000AS	352008A0SS00
		B	9.05-9.45	230-240					352008B00000					352008B000AS	352008B0SS00
		C	9.10-9.79	231-249					352008C00000					352008C000AS	352008C0SS00
10	250	A	10.70-11.10	272-282	126	57	17	432	352010A00000	\$ 1,240.30	352010A000AS	352010A0SS00	\$ 1,476.00		
		B	11.10-11.50	282-292					352010B00000					352010B000AS	352010B0SS00
		C	11.60-12.12	295-308					352010C00000					352010C000AS	352010C0SS00
12	300	A	12.75-13.20	324-335	160	73	17	432	352012A00000	\$ 1,739.90	352012A000AS	352012A0SS00	\$ 2,092.10		
		B	13.20-13.50	335-343					352012B00000					352012B000AS	352012B0SS00
		C	13.78-14.38	350-365					352012C00000					352012C000AS	352012C0SS00
16	400	A	17.15-17.40	436-442	225	102	17	432	352016A00000	\$ 1,933.20	352016A000AS	352016A0SS00	\$ 2,324.70		
		B	17.40-17.80	442-452					352016B00000					352016B000AS	352016B0SS00
		C	18.46-19.00	469-483					352016C00000					352016C000AS	352016C0SS00

3520 TRANSITION CUTTING-IN SLEEVE

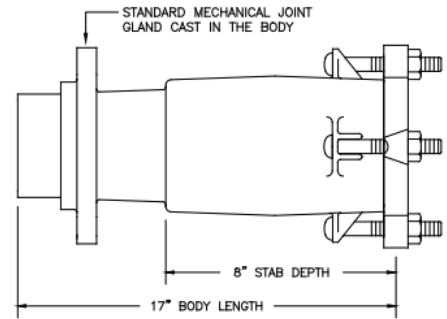
The Model 3520's Gland and Gasket are part of the Transition Coupling System and can be interchanged with other PowerSeal Cast Coupling Fittings.

INSTALLATION NOTE: Cut and remove a section of the existing pipeline equal to the overall (Face-to-Face) length of the fitting or valve to be installed, plus ten (10) inches.

NOTE : Protection against possible pull out of pipe ends is not provided with cast couplings unless pipe is restrained.

HOW TO ORDER: Specify Model Number, Pipe Size with Letter Code. **EXAMPLE:** 6" MJ Valve to 6" Cast Iron O.D. 7.10. Order 3520 - 6B. **Part Number:** 352006B00000 .

NOTE: Optional pipe stops and anchor studs (2) are available and unless otherwise requested will be located at the center of the body casting 180° apart.



3521 TRANSITION FLANGED COUPLING ADAPTER

FLANGE ADAPTER BODY: Ductile Iron per ASTM A536 and AWWA C219.

END GLANDS: Ductile Iron per ASTM A536 and AWWA C219.

GASKET: SBR per ASTM D2000 with transition design produced from 100% new rubber to ensure performance under varying pressures with superior storage characteristics per AWWA C219. Suitable for mild acids, water and salt media with a temperature range of -25° to +200° F.

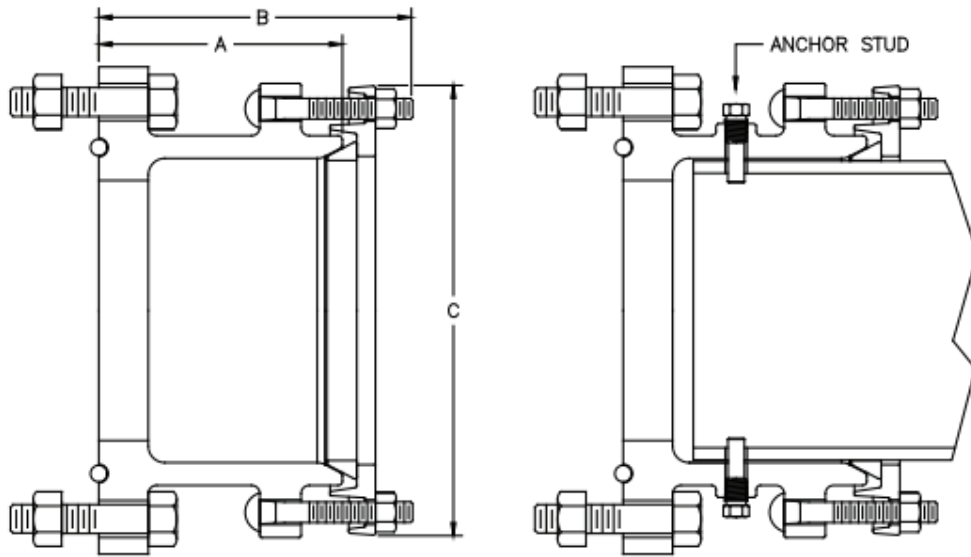
BOLTS & NUTS: Low Alloy Steel per ASTM A325, ASTM A563, and AWWA C219./ Type 304 (18-8) Stainless Steel per ASTM A193 and A194.

ANCHOR STUDS: Type 304 (18-8) Stainless Steel. (Optional joint restraint).

FINISH: Epoxy.



Nominal Pipe Size		Pipe OD Range		Body Length Dim - A		Overall Length Dim - B		Gland OD Dim - C		Approx. Weight		Flanged Adapter List Prices						
Inches	MM	Inches	MM	Inches	MM	Inches	MM	Inches	MM	lbs.	kgs	Part Number Std. Unit	List Price Std. Unit	Part Number Anchor Studs	List Price Anchor Studs	Part Number w/ SST N&Bs	List Price w/ SST N&Bs	
4	100	OD	4.00-4.13	102-105	3.0	76	6.5	165	8.8	224	24	11	352104D0000	\$ 283.20	352104D000AS	\$ 364.90	352104DSS00	\$ 460.00
		AA	4.20-4.50	107-144									352104AA0000		352104AA00AS		352104AASS00	
		A	4.50-4.85	114-123									352104A00000		352104A000AS		352104A0SS00	
		B	4.80-5.10	122-130									352104B00000		352104B000AS		352104B0SS00	
		C	5.05-5.40	128-137									352104C00000		352104C000AS		352104C0SS00	
6	150	OD	6.00-6.14	152-156	4.5	114	7.1	181	10.9	227	34	15	352106D0000	\$ 361.60	352106D000AS	\$ 452.00	352106DSS00	\$ 583.00
		AA	6.27-6.72	159-171									352106AA0000		352106AA00AS		352106AASS00	
		A	6.62-6.95	168-177									352106A00000		352106A000AS		352106A0SS00	
		B	6.90-7.22	175-183									352106B00000		352106B000AS		352106B0SS00	
		C	7.19-7.45	183-189									352106C00000		352106C000AS		352106C0SS00	
8	200	OD	8.00-8.16	203-207	4.5	114	7.1	181	13.6	344	47	21	352108D0000	\$ 496.40	352108D000AS	\$ 580.00	352108DSS00	\$ 728.40
		AA	8.40-8.82	213-224									352108AA0000		352108AA00AS		352108AASS00	
		A	8.62-9.05	219-230									352108A00000		352108A000AS		352108A0SS00	
		B	9.05-9.45	230-240									352108B00000		352108B000AS		352108B0SS00	
		C	9.10-9.79	231-249									352108C00000		352108C000AS		352108C0SS00	
10	250	A	10.70-11.10	272-282	4.5	114	7.1	181	16.2	411	68	31	352110A00000	\$ 898.60	352110A000AS	\$ 1,010.30	352110A0SS00	\$ 1,105.00
		B	11.10-11.50	282-292									352110B00000		352110B000AS		352110B0SS00	
		C	11.60-12.12	295-308									352110C00000		352110C000AS		352110C0SS00	
12	300	A	12.75-13.20	324-335	4.5	114	7.1	181	18.6	472	91	41	352112A00000	\$ 999.40	352112A000AS	\$ 1,165.50	352112A0SS00	\$ 1,497.60
		B	13.20-13.50	335-343									352112B00000		352112B000AS		352112B0SS00	
		C	13.78-14.38	350-365									352112C00000		352112C000AS		352112C0SS00	



Note: Protection against possible pull out of pipe ends is not provided with cast couplings unless pipe is restrained.

HOW TO ORDER: Specify Model Number, Pipe Size with Letter Code. **EXAMPLE:** 6" Flanged Valve to 6" Cast Iron O.D. 7.10. Order 3521 - 6B. **Part Number:** 352106B00000 .

3526 POWERMAX FLANGED COUPLING ADAPTER

FLANGE ADAPTER BODY: Ductile Iron per ASTM A536 and AWWA C219.

END GLANDS: Ductile Iron per ASTM A536 and AWWA C219.

GASKET: SBR per ASTM D2000 with conical design produced from 100% new rubber to ensure performance under varying pressures with superior storage characteristics per AWWA C219. Suitable for mild acids, water and salt media with a temperature range of -25° to +200° F.

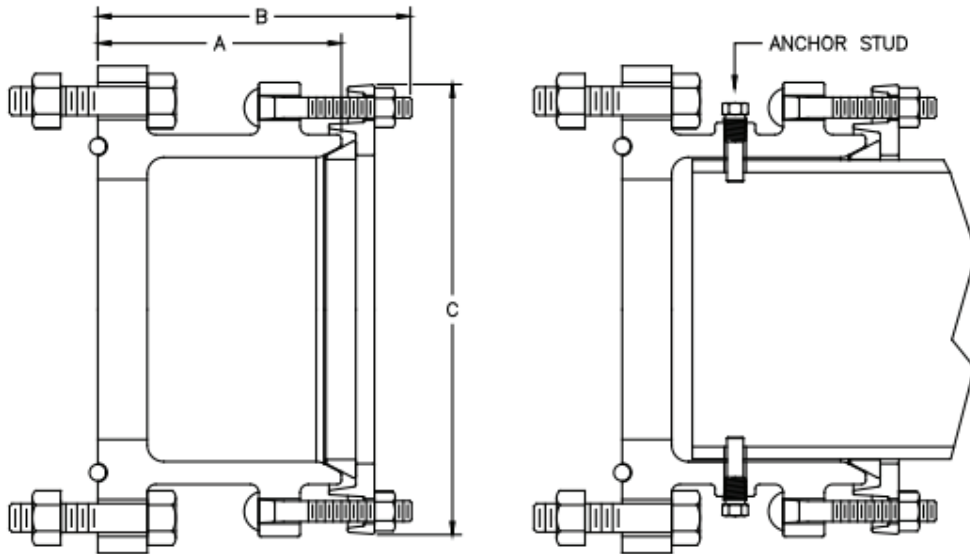
BOLTS & NUTS: Low Alloy Steel per ASTM A325, ASTM A563, and AWWA C219./ Type 304 (18-8) Stainless Steel per ASTM A193 and A194.

ANCHOR STUDS: Type 304 (18-8) Stainless Steel. (Optional joint restraint).

FINISH: Epoxy.



Nominal Pipe Size		Pipe OD Range		Body Length Dim - A		Overall Length Dim - B		Gland OD Dim - C		Approx. Weight		Flanged Adapter List Pricesw					
Inches	MM	Inches	MM	Inches	MM	Inches	MM	Inches	MM	lbs.	kgs	Part Number Std. Unit	List Price Std. Unit	Part Number Anchor Studs	List Price Anchor Studs	Part Number w/ SST N&Bs	List Price w/SST N&Bs
3	80	3.40-4.20	86-107	6.00	152	8.0	200	8.8	224	23	10.72	352603A00000	\$ 242.80	352603A000AS	\$ 324.50	352603A0SS00	\$ 409.10
4	100	4.20-5.33	107-135	6.28	160	8.8	223	9.94	252	25.2	11	352604A00000	\$ 371.50	352604A000AS	\$ 453.20	352604A0SS00	\$ 571.30
6	150	6.25-7.45	159-189	6.28	160	8.8	223	12.8	325	36	16.3	352606A00000	\$ 494.20	352606A000AS	\$ 575.90	352606A0SS00	\$ 726.00
8	200	8.40-9.79	214-249	5.65	143	8.2	208	14.44	367	45	20.45	352608A00000	\$ 625.70	352608A000AS	\$ 707.40	352608A0SS00	\$ 891.80
10	250	10.45-12.12	272-308	10	254	12.5	317	16.85	428	72	32.72	352610A00000	\$ 1,304.70	352610A000AS	\$ 1,416.40	352610A0SS00	\$ 1,549.20
12	300	12.50-14.38	317-365	10	254	12.5	317	20.58	523	102.7	46	352612A00000	\$ 1,492.70	352612A000AS	\$ 1,604.40	352612A0SS00	\$ 2,022.60



Note: Protection against possible pull out of pipe ends is not provided with cast couplings unless pipe is restrained. Pipe diameters less than IPS/STEEL rated up to 50 psi work pressure.

HOW TO ORDER: Specify Model Number, Pipe Size with Letter Code. **EXAMPLE:** 6" Flanged Valve to 6" Cast Iron O.D. 7.10. Order 3526 - 6. **Part Number:** 352606A00000.

3531 INSTA-FLANGE ADAPTER (LIGHT DUTY)

BODY CASTING: Ductile Iron per ASTM A536.

SET SCREWS: AISI 4140 Heat Treated Steel.

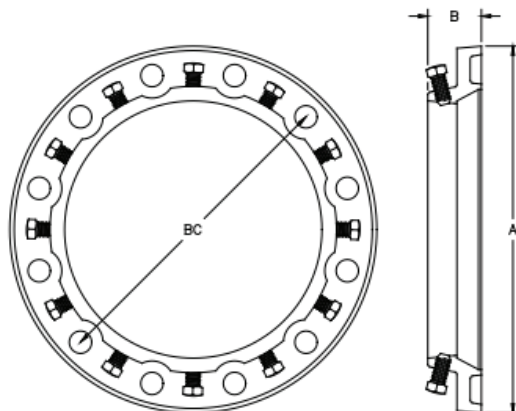
GASKET: SBR Mechanical Joint design per ASTM D2000. Suitable for mild acids, water, and salt media with a temperature range of -25° F to +200°F.

FINISH: Epoxy.

FLANGE DRILLING: ANSI B16.1 125# / ANSI B16.5 150#.



Flange Size (125# Flange)		Type of Pipe	Pipe OD Range		Flange OD Dim - A		Body Length Dim - B		Bolt Circle Dim - C		Set Screws		Working Pressure	Approx. Weight		Part Number	List Price
Inches	MM		Inches	MM	Inches	MM	Inches	MM	Inches	MM	Qty.	size		lbs.	kgs		
2	50	A Steel	2.38	60	6	152	1.8	46	4.8	122	2	1/2	200	4.8	2.2	35310200000S	\$ 42.80
		B Ductile Iron	2.50	64												35310200000C	
3	75	A Steel	3.50	89	7.5	191	1.8	46	6	152	4	1/2	200	6	2.7	35310300000S	\$ 52.00
		B Ductile Iron	3.80	101												35310300000C	
4	100	A Steel	4.50	114	9.0	229	1.8	46	7.5	191	4	1/2	200	7.4	3.4	35310400000S	\$ 70.40
		B Ductile Iron	4.80	122												35310400000C	
6	150	A Steel	6.63	168	11.0	279	1.8	46	9.5	241	8	1/2	200	10	4.5	35310600000S	\$ 87.00
		B Ductile Iron	6.90	101												35310600000C	
8	200	A Steel	8.63	219	13.5	343	2.3	57	11.8	298	8	5/8	200	17	7.7	35310800000S	\$ 103.50
		B Ductile Iron	9.05	230												35310800000C	
10	250	A Steel	10.75	282	16.0	406	2.3	57	14.3	362	12	5/8	175	29	13	35311000000S	\$ 189.00
		B Ductile Iron	11.10	101												35311000000C	
12	300	A Steel	12.75	324	19.0	483	2.3	57	17.0	432	12	5/8	175	39.6	18	35311200000S	\$ 221.40
		B Ductile Iron	13.20	335												35311200000C	



HOW TO ORDER: Specify Model Number, Pipe Size with Letter Code. **EXAMPLE:** 6" Flanged Valve to 6" Ductile Iron O.D. 6.90. Order 3531 - 6B. **Part Number:** 35310600000C .

3532 INSTA-FLANGE ADAPTER (HEAVY DUTY)

BODY CASTING: Ductile Iron per ASTM A536.

SET SCREWS: AISI 4140 Heat Treated Steel.

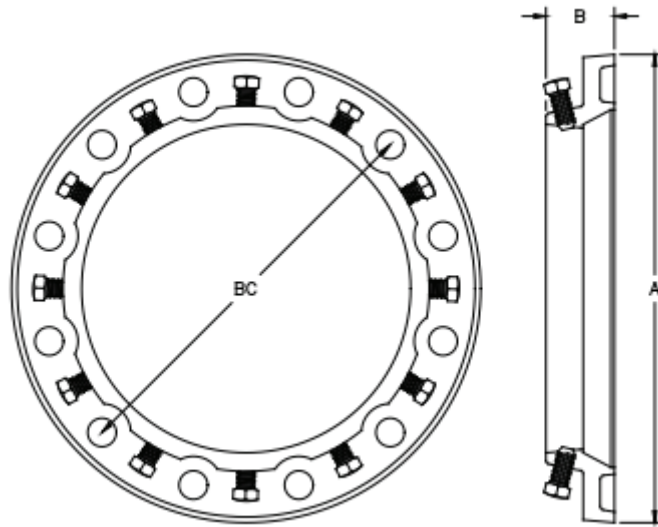
GASKET: SBR Mechanical Joint design per ASTM D2000. Suitable for mild acids, water, and salt.

FINISH: Epoxy.

FLANGE DRILLING: ANSI B16.1 125# / ANSI B16.5 150#.



Flange Size (125# Flange)		Type of Pipe	Pipe OD Range		Flange OD Dim - A		Body Length Dim - B		Bolt Circle-Dim - C		Set Screws		Working Pressure	Approx. Weight		Part Number	List Price
Inches	MM		Inches	MM	Inches	MM	Inches	MM	Inches	MM	Qty.	size		lbs.	kgs		
4	100	A Steel	4.50	114	9.0	229	2.1	53.3	7.5	191	8	1/2	250	10	5	35320400000S	\$ 104.50
		B Ductile Iron	4.80	122												35320400000C	
6	150	A Steel	6.63	168	11.0	279	2.1	53.3	9.5	241	8	5/8	250	19	9	35320600000S	\$ 112.50
		B Ductile Iron	6.90	175												35320600000C	
8	200	A Steel	8.63	219	13.5	343	2.1	53.3	11.8	298	8	5/8	250	24	11	35320800000S	\$ 131.50
		B Ductile Iron	9.05	230												35320800000C	
10	250	A Steel	10.75	273	16.0	406	2.1	53.3	14.3	363	12	5/8	250	28	13	35321000000S	\$ 282.00
		B Ductile Iron	11.10	282												35321000000C	
12	300	A Steel	12.75	324	19.0	483	2.2	55.9	17.0	432	12	5/8	250	47	21	35321200000S	\$ 328.60
		B Ductile Iron	13.20	335												35321200000C	
14	350	A Steel	14.00	356	21.0	533	2.6	66	18.8	478	12	5/8	150	66	30	35321400000S	\$ 387.30
		B Ductile Iron	15.30	389												35321400000C	
16	400	A Steel	16.00	406	23.5	597	2.7	68.6	21.3	541	16	5/8	150	69	31	35321600000S	\$ 515.00
		B Ductile Iron	17.40	442												35321600000C	
18	450	A Steel	18.00	457	25.0	635	2.8	71.1	22.8	579	16	3/4	150	76	34	35321800000S	\$ 686.70
		B Ductile Iron	19.50	495												35321800000C	
20	500	A Steel	20.00	508	27.5	699	2.9	73.7	25.0	635	20	3/4	150	84	38	35322000000S	\$ 915.70
		B Ductile Iron	21.60	549												35322000000C	
24	600	A Steel	24.00	610	32.0	813	3.1	78.7	29.5	749	20	3/4	150	114	52	35322400000S	\$ 1,220.90
		B Ductile Iron	25.80	655												35322400000C	
30	750	A Steel	30.00	762	38.8	986	4.0	101.6	36.0	914	28	3/4	100	196	89	35323000000S	\$ 1,627.80
		B Ductile Iron	32.00	813												35323000000C	
36	900	A Steel	36.00	914	46.0	1168	4.5	114.3	42.3	1074	32	3/4	100	282	128	35323600000S	\$ 2,873.80
		B Ductile Iron	38.30	973												35323600000C	



HOW TO ORDER: Specify Model Number, Pipe Size with Letter Code. **EXAMPLE:** 6" Flanged Valve to 6" Ductile Iron O.D. 6.90. Order 3531 - 6B. **Part Number:** 35320600000C .