



PowerSeal
PIPELINE PRODUCTS CORPORATION



Fabrications
January 2015

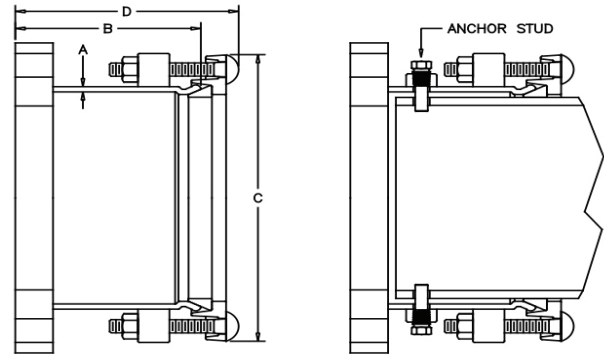
MODEL 3528 FLANGED COUPLING ADAPTER

ADAPTER BODY: Carbon Steel per ASTM A53 or A 283 or Carbos Steel.

END GLAND: Carbon Steel per AISI C1020.

BOLTS & NUTS: Low Alloy Steel per ASTM A325, ASTM A563, and AWWA C111.

GASKET: SBR per ASTM D2000. Suitable for mild acids, water, and salt media with a temperature range of -25° F to -200° F. Optional materials available.



Nominal Pipe Size		Pipe OD Range		Standard Flanged Adapter		Optional Anchor Stud Restraint Flanged Adapter with Anchor Studs				Weight		A		B		C		D	
Inches	MM	Inches	MM	Catalog Number	List Price	QTY	PSI	Catalog Number	List Price	lbs.	kgs.	Inches	MM	Inches	MM	Inches	MM	Inches	MM
3	80	3.44-3.56	87-90	3528035003EO	\$393.00	2	275	3528035003EO-AP	\$545.20	19	9	0.20	5.2	7.7	195	8.5	216	9.0	229
		3.94-4.06	100-103	3528040004EO	\$423.90	2	275	3528040004EO-AP	\$576.20	24	11	0.20	5.2	7.7	195	9.0	229	9.0	229
4	100	4.44-4.56	113-116	3528045004EO	\$454.30	2	275	3528045004EO-AP	\$609.20	25	11	0.20	5.2	7.7	195	9.0	229	9.0	229
		4.74-4.86	120-123	3528048004EO	\$479.40	2	275	3528048004EO-AP	\$630.25	27	12	0.25	6.4	7.7	195	9.8	248	9.0	229
5	125	5.49-5.62	139-143	3528050005EO	\$529.50	2	250	3528050005EO-AP	\$679.50	29	13	0.25	6.4	10.7	271	10.3	271	12.0	305
6	150	5.94-6.06	151-154	3528060006EO	\$560.20	2	210	3528060006EO-AP	\$710.20	37	17	0.25	6.4	10.7	271	11.6	295	12.0	305
		6.57-6.69	167-170	3528066306EO	\$599.20	2	175	3528066306EO-AP	\$749.00	37	17	0.25	6.4	10.7	271	11.6	295	12.0	305
6	150	6.84-6.96	174-177	3528069006EO	\$618.70	2	160	3528069006EO-AP	\$767.20	38	17	0.25	6.4	10.7	271	11.6	295	12.0	305
		7.94-8.06	202-205	3528080008EO	\$668.90	4	240	3528080008EO-AP	\$1,015.30	46	21	0.25	6.4	10.7	271	13.6	346	12.0	305
8	200	8.57-8.70	218-221	3528086308EO	\$744.10	4	206	3528086308EO-AP	\$1,054.20	47	21	0.25	6.4	10.7	271	13.6	346	12.0	305
		8.99-9.10	228-231	3528090508EO	\$766.40	4	187	3528090508EO-AP	\$1,080.10	50	23	0.25	6.4	10.7	271	14.0	356	12.0	305
10	250	9.94-10.06	252-256	3528100010EO	\$869.50	4	153	3528100010EO-AP	\$1,210.20	60	27	0.25	6.4	10.7	271	14.8	375	12.0	305
		10.69-10.81	272-275	3528107510EO	\$933.60	6	192	3528107510EO-AP	\$1,454.20	55	25	0.25	6.4	10.7	271	15.5	394	12.0	305
10	250	11.00-11.25	279-286	3528111010EO	\$955.90	7	186	3528111010EO-AP	\$1,475.40	56	25	0.25	6.4	10.7	271	16.0	406	12.0	305
		11.94-12.06	303-306	3528120012EO	\$1,034.00	6	159	3528120012EO-AP	\$1,552.20	68	31	0.25	6.4	10.8	275	16.8	425	12.1	308
12	300	12.63-12.84	321-326	3528127512EO	\$1,098.00	8	188	3528127512EO-AP	\$1,769.30	72	33	0.25	6.4	10.8	275	17.5	445	12.1	308
		13.08-13.29	332-338	3528132012EO	\$1,128.80	8	175	3528132012EO-AP	\$1,820.40	72	33	0.25	6.4	10.8	275	18.1	460	12.3	311
14	350	13.88-14.09	353-358	3528140014EO	\$1,284.80					103	47	0.25	6.4	10.9	278	18.9	479	12.3	311
		15.18-15.39	386-391	3528153014EO	\$1,335.00					104	47	0.25	6.4	10.9	278	20.1	511	12.3	311
16	400	15.88-16.09	403-409	3528160016EO	\$1,438.10					128	58	0.25	6.4	11.0	279	20.9	530	12.4	314
		17.28-17.49	439-444	3528174016EO	\$1,616.50					123	56	0.25	6.4	11.0	279	22.3	565	12.4	314
16	400	17.68-17.89	449-454	3528178016EO	\$1,658.30					118	54	0.25	6.4	11.0	279	22.6	575	12.4	314
		17.88-18.09	454-459	3528180018EO	\$1,708.40					136	62	0.25	6.4	11.1	281	22.9	581	12.5	318
18	450	19.38-19.59	492-496	3528195018EO	\$1,942.50					132	60	0.25	6.4	11.1	281	24.4	619	12.5	318
		19.80-20.01	503-508	3528199218EO	\$2,003.80					127	58	0.25	6.4	11.1	281	24.9	639	12.5	318
20	500	19.88-20.09	505-510	3528200020EO	\$2,045.70					160	73	0.25	6.4	11.3	283	24.9	639	12.5	318
		21.48-21.69	546-551	3528216020EO	\$2,332.70					155	70	0.25	6.4	11.3	283	26.5	673	12.6	321
20	500	21.94-22.15	557-563	3528220620EO	\$2,374.50					154	70	0.25	6.4	11.3	283	27.0	686	12.6	321
		23.88-24.09	607-612	3528240024EO	\$2,513.90					207	94	0.25	6.4	11.3	286	28.9	733	12.8	324
24	600	25.68-25.89	652-658	3528258024EO	\$2,692.30					202	92	0.25	6.4	11.3	286	30.6	778	12.8	324
		26.20-26.41	665-671	3528263224EO	\$2,828.80					197	89	0.25	6.4	11.3	286	31.1	791	12.3	311

Pipe Sizes 14 inch and larger require a Harness Assembly for proper Joint Restraint. Consult PowerSeal Engineering for Application Parameters.

STEEL COUPLINGS

SMALL DIAMETERS FOR STEEL OD

CENTER BARREL: Rolled Steel Grade S275 per ASTM A283.

END GLANDS: Ductile Iron per ASTM A536 and AWWA C219.

GASKET: NBR per ASTM D2000, AWWA C111 and ANSI A21.11.

BOLTS & NUTS: Electro-Galvanized Steel per ASTM A307.

FINISH: Fusion Bonded Epoxy per AWWA C213.

Nominal Pipe Size		Pipe OD		Catalog Number	Barrel length		List Price
Inches	MM	Inches	MM		Inches	MM	
1/2	15	0.84	21	3538005004EG-N	3 5/8"	100	\$ 20.00
3/4	20	1.05	27	3538007005EG-N	4 7/8"	123	\$ 23.10
1	25	1.32	34	3538010005EG-N	4 15/16"	124	\$ 26.20
1 1/4	26	1.66	42	3538012505EG-N	4 15/16"	124	\$ 36.90
1 1/2	38	1.90	48	3538015005EG-N	5	125	\$ 39.60
2	50	2.38	51	3538023805EG-N	5	125	\$ 47.40
				3538023807EG-N	7	175	\$ 53.20
				3538023812EG-N	12	300	\$ 70.40
3	80	3.50	89	3538035005EG-N	5	125	\$ 72.70
				3538035007EG-N	7	175	\$ 83.30
				3538035012EG-N	12	300	\$ 112.40
4	100	4.50	114	3538045005EG-N	5	125	\$ 83.30
				3538045007EG-N	7	175	\$ 87.20
				3538045012EG-N	12	300	\$ 130.00
5	125	5.56	141	3538055612EG-N	12	300	\$ 215.00
6	150	6.63	168	3538066305EG-N	5	125	\$ 139.40
				3538066307EG-N	7	175	\$ 166.90
				3538066312EG-N	12	300	\$ 226.30
				3538066316EG-N	16	400	\$ 283.90
8	200	8.63	219	3538086312EG-N	12	300	\$ 332.20
				3538086316EG-N	16	400	\$ 393.80
				3538086324EG-N	24	600	\$ 512.90
10	250	10.75	273	3538107512EG-N	12	300	\$ 455.70
				3538107516EG-N	16	400	\$ 529.60
				3538107524EG-N	24	600	\$ 693.00
12	300	12.75	324	3538127516EG-N	16	400	\$ 633.50

HOW TO ORDER: Specify Model Number, Pipe Size and Length. Example: 6" Steel O.D. 6.63 X 12" in Length. Order 6"X12. **Part Number:** 3538066312EG-N .

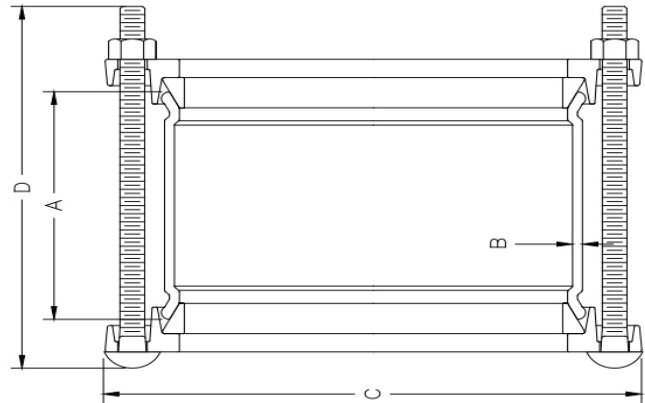
MODEL 3538 COUPLING

CENTER BARREL: Carbon Steel per ASTM A53 or ASTM A 283 (DICE 2b3).

END GLAND: Carbon Steel per AISI C1020.

BOLTS & NUTS: Low Alloy Steel per ASTM A325, ASTM A563, and AWWA C111.

GASKET: SBR per ASTM D2000. Suitable for mild acids, water, and salt media with a temperature range of -25° F to -200° F. Optional materials available.



Nominal Pipe Size		Pipe OD Range		Barrel Length Dim-A		Barrel Thickness Dim-B		Gland OD Dim-C		Overall Length Dim-D		Coupling		Weight		Working Pressure PSI
Inches	MM	Inches	MM	Inches	MM	Inches	MM	Inches	MM	Inches	MM	Catalog Number	List Price	lbs	kgs	
4	100	4.50	114	5.00	127	0.20	5	8.20	208	6.50	165	3538045005EO	\$152.30	13	6	1200
		4.50	114	7.00	178	0.20	5	8.20	208	8.50	216	3538045007EO	\$171.20	16	7	1200
6	150	6.63	168	5.00	127	0.25	6	10.90	278	6.50	165	3538066305EO	\$303.20	23	10	1030
		6.63	168	7.00	178	0.25	6	10.90	278	8.50	216	3538066307EO	\$354.30	26	12	1030
8	200	8.63	219	5.00	127	0.25	6	12.90	329	6.50	165	3538086305EO	\$243.00	28	13	810
		8.63	219	7.00	178	0.25	6	12.90	329	8.50	216	3538086307EO	\$262.30	32	15	810
10	250	10.00	254	7.00	178	0.25	6	14.30	364	6.50	279	3538100007EO	\$322.90	38	17	700
		10.75	273	5.00	127	0.25	6	15.10	383	8.50	165	3538107505EO	\$298.30	34	15	660
		10.75	273	7.00	178	0.25	6	15.10	383	6.50	216	3538107507EO	\$345.10	40	18	660
12	300	12.00	305	5.00	127	0.25	6	16.30	414	8.50	216	3538120005EO	\$475.20	37	17	590
		12.00	305	7.00	178	0.25	6	16.30	414	6.50	279	3538120007EO	\$519.80	44	20	590
		12.75	324	5.00	127	0.25	6	17.10	433	8.50	165	3538127505EO	\$494.20	39	18	560
		12.75	324	7.00	178	0.25	6	17.10	433	6.50	216	3538127507EO	\$540.50	46	21	560
14	350	14.00	356	5.00	127	0.25	6	18.30	465	8.50	216	3538140005EO	\$505.30	41	19	510
		14.00	356	7.00	178	0.25	6	18.30	465	6.50	279	3538140007EO	\$535.70	48	22	510
16	400	16.00	406	7.00	178	0.25	6	20.30	516	8.50	279	3538160007EO	\$654.40	56	25	450
18	450	18.00	457	7.00	178	0.25	6	22.40	570	6.50	279	3538180007EO	\$682.00	81	37	410
20	500	20.00	508	7.00	178	0.25	6	24.40	621	8.50	279	3538200007EO	\$831.10	91	41	360
22	550	22.00	559	7.00	178	0.25	6	26.40	672	6.50	279	3538220007EO	\$891.90	98	44	330
24	600	24.00	610	7.00	178	0.25	6	28.40	722	28.40	279	3538240007EO	\$1,038.20	106	48	310
26	650	26.00	660	7.00	178	0.25	6	30.30	768	10.00	254	3538260007EO	\$1,484.40	113	51	277
28	700	28.00	711	7.00	178	0.25	8	32.30	819	10.00	254	3538280007EO	\$1,534.80	122	55	257
30	750	30.00	762	7.00	178	0.25	6	34.30	870	10.00	254	3538300007EO	\$1,578.40	131	59	240
		32.00	813	7.00	178	0.38	9.5	37.10	943	10.00	254	3538300007EO	POA	199	90	335
36	900	36.00	914	7.00	178	0.25	6.4	40.30	1022	11.00	279	353836A007EO	POA	160	73	201
		36.00	914	7.00	178	0.38	9.5	41.10	1045	10.00	254	353836B007EO	POA	221	100	298
42	1100	42.00	1067	7.00	178	0.38	9.5	47.10	1197	14.00	356	3538420007EO	POA	258	117	257
		42.00	1067	10.00	254	0.38	9.5	47.10	1197	11.50	292	3538420010EO	POA	307	139	257

MODEL 3538 COUPLING

Nominal Pipe Size		Pipe OD Range		Barrel Length Dim-A		Barrel Thickness Dim-B		Gland OD Dim-C		Overall Length Dim-D		Coupling		Weight		Working Pressure PSI
Inches	MM	Inches	MM	Inches	MM	Inches	MM	Inches	MM	Inches	MM	Catalog Number	List Price	lbs	kgs	
48	1200	48.00	1219	7.00	178	0.38	9.5	53.10	1349	14.50	368	3538480007EO	POA	295	134	226
		48.00	1219	10.00	254	0.38	9.5	53.10	1349	11.50	292	3538480010EO	POA	351	159	226
		48.00	1219	7.00	178	0.50	12.7	53.10	1349	14.50	368	353848C007EO	POA	320	145	299
		48.00	1219	10.00	254	0.50	12.7	53.10	1349	11.50	292	353848D010EO	POA	394	179	299
54	1350	54.00	1372	10.00	254	0.38	9.5	59.10	1502	14.50	368	353854A010EO	POA	395	179	202
		54.00	1372	10.00	254	0.50	12.7	59.10	1502	14.50	368	353854B010EO	POA	444	201	267
60	1500	60.00	1524	10.00	254	0.38	9.5	65.10	1654	14.50	368	353860A010EO	POA	439	199	180
		60.00	1524	10.00	254	0.50	12.7	65.10	1654	14.50	368	353860B010EO	POA	491	223	241
66	1700	66.00	1676	10.00	254	0.38	9.5	71.10	1807	14.50	368	353866A010EO	POA	483	219	165
		66.00	1676	10.00	254	0.50	12.7	71.10	1807	14.50	368	353866B010EO	POA	540	245	220
72	1800	72.00	1829	10.00	254	0.38	9.5	77.10	1959	14.50	368	353877A010EO	POA	526	239	151
		72.00	1829	10.00	254	0.50	12.7	77.10	1959	14.50	368	353877B010EO	POA	590	268	202

MODEL 3539 INSULATED COUPLING

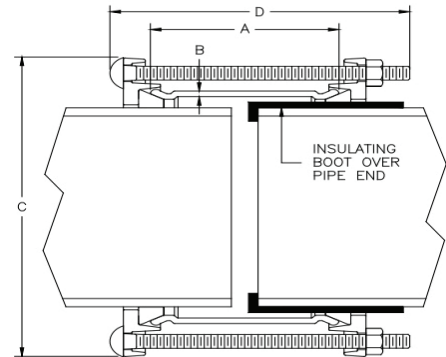
CENTER BARREL: Carbon Steel per ASTM A53 or ASTM A 283 or Carbon Steel.

GLANDS: Carbon Steel per AISI C1020.

BOLTS & NUTS: Low Alloy Steel per ASTM A325, ASTM A563, and AWWA C111.

INSULATING BOOT: Neoprene per ASTM D2000.

GASKET: SBR per ASTM D2000. Suitable for mild acids, water, and salt media with a temperature range of -25° F to -200° F. Optional materials available.



Nominal Pipe Size		Pipe OD Range		Barrel Length Dim-A		Barrel Thickness Dim-B		Gland OD Dim-C		Overall Length Dim-D		Coupling		Weight	
Inches	MM	Inches	MM	Inches	MM	Inches	MM	Inches	MM	Inches	MM	Catalog Number	List Price	lbs	kgs
2	50	2.38	60	5.00	127	0.22	6.0	6.30	159	8.50	216	3539023805EO	POA	6	3
3	80	3.50	89	5.00	127	0.24	6.0	7.00	178	8.50	216	3539035005EO		11	5
4	100	4.50	114	5.00	127	0.26	6.6	8.30	210	8.50	216	3539048005EO		16	7
6	150	6.63	168	5.00	127	0.25	6.4	11.40	289	8.50	216	3539066305EO		26	12
8	200	8.63	219	7.00	178	0.25	6.4	13.20	335	11.00	279	3539086307EO		39	17
10	250	10.75	273	7.00	178	0.38	8.0	15.60	395	11.00	279	3539107507EO		41	19
12	300	12.75	324	7.00	178	0.38	8.0	17.20	437	11.00	279	3539127507EO		43	20
14	350	14.00	356	7.00	178	0.38	8.0	18.80	476	11.00	279	3539140007EO		74	34
16	400	16.00	406	7.00	178	0.38	8.0	20.80	527	11.00	279	3539160007EO		86	39
18	450	18.00	457	7.00	178	0.38	8.0	22.80	578	11.00	279	3539180007EO		94	43
20	500	20.00	508	7.00	178	0.38	8.0	24.80	629	11.00	279	3539200007EO		105	78
22	550	22.00	559	7.00	178	0.38	8.0	26.80	679	11.00	279	3539220007EO		114	52
24	600	24.00	610	7.00	178	0.38	8.0	28.80	730	11.00	279	3539240007EO		125	57

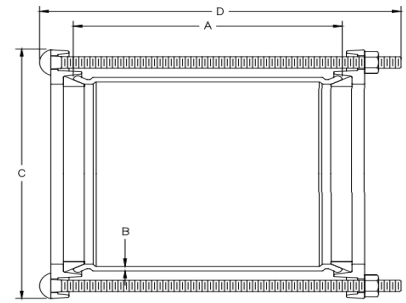
MODEL 3540 LONG BARREL COUPLING

CENTER BARREL: Carbon Steel per ASTM A53 or ASTM A 283 or Carbon Steel.

GLAND: Carbon Steel per AISI C1020.

BOLTS & NUTS: Low Alloy Steel per ASTM A325, ASTM A563, and AWWA C111.

GASKETS: SBR per ASTM D2000. Suitable for mild acids, water, and salt media with a temperature range of -25° F to -200° F. Optional materials available.



Nominal Pipe Size		Pipe OD Range		Barrel Length Dim-A		Barrel Thickness Dim-B		Gland OD Dim-C		Overall Length Dim-D		Coupling		Weight		Working Pressure	
Inches	MM	Inches	MM	Inches	MM	Inches	MM	Inches	MM	Inches	MM	Catalog Number	List Price	lbs	kgs	PSI	
4	100	A	4.50	114	12.00	305	0.20	5.2	8.20	208	14.00	356	3540045012EO	POA	22	10	1100
		B	4.50	114	16.00	406	0.20	5.2	8.20	208	17.50	445	3540045016EO		28	13	1100
		C	4.50	114	24.00	610	0.20	5.2	8.20	208	25.50	648	3540045024EO		39	18	1100
6	150	A	6.63	168	10.00	254	0.25	6.4	10.90	278	11.00	270	3540066310EO		35	16	1030
		B	6.63	168	16.00	406	0.25	6.4	10.90	278	17.50	445	3540066316EO		47	21	970
		C	6.63	168	24.00	610	0.25	6.4	10.90	278	25.50	648	3540066324EO		66	30	970
8	200	A	8.63	219	10.00	254	0.25	6.4	12.90	329	11.00	279	3540086310EO		42	19	810
		B	8.63	219	16.00	406	0.25	6.4	12.90	329	17.50	445	3540086316EO		57	26	770
		C	8.63	219	24.00	610	0.25	6.4	12.90	329	25.50	648	3540086324EO		79	36	770
10	250	A	10.75	273	10.00	254	0.25	6.4	15.10	383	11.00	279	3540107510EO		52	24	660
		B	10.75	273	16.00	406	0.25	6.4	15.10	383	17.50	445	3540107516EO		71	32	630
		C	10.75	273	24.00	610	0.25	6.4	15.10	383	25.50	648	3540107524EO		99	45	630
12	300	A	12.75	324	10.00	254	0.25	6.4	17.10	433	11.00	279	3540127510EO		59	27	560
		B	12.75	324	16.00	406	0.25	6.4	17.10	433	17.50	445	3540127516EO		81	37	800
		C	12.75	324	24.00	610	0.25	6.4	17.10	433	25.50	648	3540127524EO		113	51	800
14	350	A	14.00	356	16.00	406	0.38	9.5	18.40	468	20.00	508	3540140016EO		129	59	730
		B	14.00	356	24.00	610	0.38	9.5	18.40	468	28.00	711	3540140024EO		176	80	730
		C	15.30	389	16.00	406	0.38	9.5	19.90	505	20.00	508	3540153016EO		144	65	N/A
		D	15.30	389	24.00	610	0.38	9.5	19.90	505	28.00	711	3540153024EO	196	89	N/A	
		E	15.65	398	16.00	406	0.38	9.5	20.20	513	20.00	508	3540156516EO	146	66	N/A	
		F	15.65	398	24.00	610	0.38	9.5	20.20	513	28.00	711	3540156524EO	200	91	N/A	
16	400	A	16.00	406	16.00	406	0.38	9.5	20.40	519	20.00	508	3540160016EO	149	68	650	
		B	16.00	406	24.00	610	0.38	9.5	20.40	519	28.00	711	3540160024EO	202	92	650	
		C	17.40	442	16.00	406	0.38	9.5	21.90	557	20.00	508	3540174016EO	160	73	N/A	
		D	17.40	442	24.00	610	0.38	9.5	21.90	557	28.00	711	3540174024EO	218	99	N/A	
		E	17.80	452	16.00	406	0.38	9.5	22.30	568	20.00	508	3540178016EO	162	74	N/A	
		F	17.80	452	24.00	610	0.38	9.5	22.30	568	28.00	711	3540178024EO	221	100	N/A	
18	450	A	18.00	457	16.00	406	0.38	9.5	22.40	570	20.00	508	3540180016EO	163	74	580	
		B	18.00	457	24.00	610	0.38	9.5	22.40	570	28.00	711	3540180024EO	223	101	580	
		C	19.50	495	16.00	406	0.38	9.5	24.10	611	20.00	508	3540195016EO	179	81	N/A	
		D	19.50	495	24.00	610	0.38	9.5	24.10	611	28.00	711	3540195024EO	245	111	N/A	
		E	19.92	506	16.00	406	0.38	9.5	24.50	622	20.00	508	3540199216EO	182	83	N/A	
		F	19.92	506	24.00	610	0.38	9.5	24.50	622	28.00	711	3540199224EO	249	113	N/A	

MODEL 3540 LONG BARREL COUPLING

Nominal Pipe Size		Pipe OD Range		Barrel Length Dim-A		Barrel Thickness Dim-B		Gland OD Dim-C		Overall Length Dim-D		Coupling		Weight		Working Pressure PSI	
Inches	MM	Inches	MM	Inches	MM	Inches	MM	Inches	MM	Inches	MM	Catalog Number	List Price	lbs	kgs		
20	500	A	20.00	508	10.00	254	0.38	9.5	24.40	621	13.50	343	3540200010EO	POA	136	62	525
		B	20.00	508	16.00	406	0.38	9.5	24.40	621	19.50	495	3540200016EO		183	83	525
		C	21.60	549	10.00	254	0.38	9.5	26.10	664	13.50	343	3540216010EO		145	66	N/A
		D	21.60	549	16.00	406	0.38	9.5	26.10	664	19.50	495	3540216016EO		195	88	N/A
		E	22.06	560	10.00	254	0.38	9.5	26.60	676	13.50	343	3540220610EO		148	67	N/A
		F	22.06	560	16.00	406	0.38	9.5	26.60	676	19.50	495	3540220616EO		200	91	N/A
22	550	A	22.00	559	10.00	254	0.38	9.5	26.40	672	13.50	343	3540220010EO		147	67	480
		B	22.00	559	16.00	406	0.38	9.5	26.40	672	19.50	495	3540220016EO		199	90	480
24	600	A	24.00	610	10.00	254	0.38	9.5	28.40	722	13.50	343	3540240010EO		161	73	440
		B	24.00	610	16.00	406	0.38	9.5	28.40	722	19.50	495	3540240016EO		217	98	440
		C	25.80	655	10.00	254	0.38	9.5	30.40	772	13.50	343	3540258010EO		171	78	N/A
		D	25.80	655	16.00	406	0.38	9.5	30.40	772	19.50	495	3540258016EO		231	105	N/A
		E	26.32	669	10.00	254	0.38	9.5	30.90	784	13.50	343	3540263210EO		174	79	N/A
		F	26.32	669	16.00	406	0.38	9.5	30.90	784	19.50	495	3540263216EO		235	107	N/A

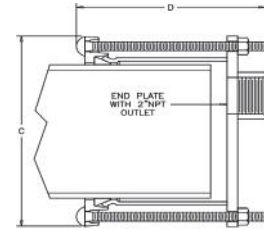
MODEL 3551 ENDCAP COUPLING

CENTER BARREL & CAP: Carbon Steel per ASTM A53 or ASTM A 283 or Carbon Steel.

GLANDS: Carbon Steel per AISI C1020.

BOLTS & NUTS: Low Alloy Steel per ASTM A325, ASTM A563, and AWWA C111.

GASKET: SBR per ASTM D2000. Suitable for mild acids, water, and salt media with a temperature range of -25° F to -200° F. Optional materials available.



Nominal Pipe Size		Pipe OD Range		Gland OD Dim-C		Overall Length Dim-D		End Cap Coupling		Unit Wt.		
Inches	MM	Inches	MM	Inches	MM	Inches	MM	Catalog Number	List Price	lbs	kgs	
2	50	A	2.50	64	6.20	157	7.90	202	3551025000EO	POA	10	5
3	80	A	3.80	97	7.10	179	8.20	208	3551038000EO		13	6
		B	3.96	101	7.50	191	8.20	208	3551039600EO		13	6
4	100	A	4.80	122	8.10	207	8.20	208	3551048000EO		18	8
		B	5.10	130	8.10	207	8.20	208	3551051000EO		19	9
6	150	A	6.90	175	10.20	259	8.20	208	3551069000EO		26	12
		B	7.10	180	10.20	259	8.20	208	3551071000EO		27	12
8	200	A	9.05	230	12.40	315	8.20	208	3551090500EO		35	16
		B	9.30	236	12.40	315	8.20	208	3551093000EO		36	16
10	250	A	11.10	282	15.10	384	8.20	208	3551111000EO		46	21
		B	11.40	290	15.10	384	8.20	208	3551114000EO		53	24
12	300	A	13.20	335	17.50	444	8.30	211	3551132000EO		59	27
		B	13.50	343	17.50	444	8.30	211	3551135000EO		60	27
14	350	A	15.30	389	19.80	502	8.30	211	3551153000EO		89	40
		B	15.65	398	20.10	511	8.30	211	3551156500EO		93	42
16	400	A	17.40	442	21.80	555	8.30	211	3551174000EO		94	43
		B	17.80	452	22.30	565	8.30	211	3551178000EO		96	44
20	500	A	21.60	549	26.30	668	8.30	211	3551216000EO		136	62
		B	22.06	560	26.50	673	8.30	211	3551220600EO	138	63	

MODEL 3562R REDUCING COUPLING

CENTER BARREL: Carbon Steel per ASTM A53 or ASTM A 283 or Carbon Steel.

GLANDS: Carbon Steel per AISI C1020.

BOLTS & NUTS: Low Alloy Steel per ASTM A325, ASTM A563, and AWWA C111.

GASKET: SBR per ASTM D2000. Suitable for mild acids, water, and salt media with a temperature range of -25° F to -200° F. Optional materials available.



Nominal Pipe Size		Pipe OD Range Large End		List Price #1	Weight #1	
Inches	MM	Inches	MM		lbs	kgs
6	150	5.00-7.49	127-190	\$607.70	32	15
		7.50-8.49	191-216	\$843.90	35	16
8	200	8.50-9.49	216-241	\$950.10	38	17
		9.50-10.49	241-266	\$1,064.00	44	20
10	250	10.50-11.49	267-292	\$1,137.30	47	21
		11.50-12.49	292-317	\$1,245.10	56	25
12	300	12.50-13.49	318-343	\$1,319.00	60	27
12-14	300-350	13.50-14.49	343-368	\$1,402.00	71	32
14	350	14.50-15.49	368-393	\$1,560.90	79	36
14-16	350-400	15.50-16.49	394-419	\$1,640.70	85	39
16	400	16.50-17.49	419-444	\$1,640.70	91	41
16-18	400-450	17.50-18.49	445-470	\$1,785.00	97	44
18	450	18.50-19.49	470-495	\$1,800.00	105	48
18-20	450-500	19.50-20.99	495-533	\$1,853.30	114	52
20	500	21.00-22.99	533-584	\$2,006.30	129	59
		23.00-24.99	584-635	\$2,091.70	142	64
24	600	25.00-26.99	635-686	\$2,272.60	156	71
		27.00-28.99	686-736	\$2,347.40	175	79
		29.00-30.99	737-787	\$2,392.70	189	86
30	750	31.00-32.99	787-838	\$2,655.60	207	94
		33.00-34.99	838-889	\$2,708.70	225	102
		35.00-36.99	889-940	\$2,915.10	258	117
36	900	37.00-38.99	940-990	\$2,944.60	279	127
		39.00-40.99	991-1041	\$3,003.40	298	135
42	1100	41.00-42.99	1041-1092	\$3,318.00	336	152
		43.00-44.99	1092-1143	\$3,242.60	359	163
44	1120	45.00-46.99	1143-1194	\$3,440.10	384	174
		47.00-48.99	1194-1244	\$3,502.30	407	185

Nominal Pipe Size		Pipe OD Range Large End		List Price #1	Weight #1	
Inches	MM	Inches	MM		lbs	kgs
3	75	3.50-4.49	89-114	\$365.70	13	6
4	100	4.50-5.49	114-139	\$513.40	16	7
5-6	125-150	5.50-6.49	140-165	\$625.70	20	9
6	150	6.50-7.49	165-190	\$762.60	20	9
		7.50-8.49	191-216	\$869.10	21	10
8	200	8.50-9.49	216-241	\$978.70	23	10
		9.50-10.49	241-266	\$1,093.00	24	11
10	250	10.50-11.49	267-292	\$1,169.40	30	14
		11.50-12.49	292-317	\$1,282.70	31	14
12	300	12.50-13.49	318-343	\$1,358.30	34	15
12-14	300-350	13.50-14.49	343-368	\$1,443.60	40	18
14-16	350-400	15.00-16.99	381-432	\$1,607.70	45	20
		17.00-18.99	432-482	\$1,771.70	54	24
18-20	450-500	19.50-20.99	495-533	\$1,907.60	68	31
20	500	21.00-22.99	533-584	\$2,066.60	70	32
		23.00-24.99	584-635	\$2,154.90	81	37
24	600	25.00-26.99	635-686	\$2,346.10	98	44
		27.00-28.99	686-736	\$2,452.60	101	46
		29.00-30.99	737-787	\$2,525.40	103	47
30	750	31.00-32.99	787-838	\$2,735.30	105	48
		33.00-34.99	838-889	\$2,789.90	116	53
		35.00-36.99	889-940	\$3,002.60	118	54
36	900	37.00-38.99	940-990	\$3,033.10	124	56
		39.00-40.99	991-1041	\$3,093.70	130	59
42	1100	41.00-42.99	1041-1092	\$3,285.00	138	63
		43.00-44.99	1092-1143	\$3,339.90	150	68
44	1120	45.00-46.99	1143-1194	\$3,543.70	156	71
		-	-	-	-	-

HOW TO ORDER: The above information is for pricing only. These Pipe OD Ranges show the price and approximate weight for a coupling that would connect a pipe which has an OD within this range. They do not indicate that the coupling will join any pipe within the range. To order a Fabricated Steel reducing coupling, simply specify the model number 3562R and the EXACT outside diameter of the two pipes to be connected. For instance, to order a coupling to connect 16" Ductile Iron to 14" Steel you would specify: 3562R 17.40 X 14.00. **Part Number:** 356217401400-ES for SS bolts & nuts or -EO for alloy bolts & nuts.

MODEL 3562R REDUCING COUPLING

The above Reducing Coupling is used for joining two pipes of different nominal sizes, i.e. 16 inch to 14 inch. To connect two pipes of the same nominal size but with different outside diameters specify the Transition Coupling, model number 3562T and the EXACT outside diameters of the two pipes to be connected. For instance, to connect 16" C905 PVC O.D. 17.40 to 16" Pit Cast Iron, Class 'CD' O.D. 17.80 you would specify 3562T 17.40 X 17.80.

MODEL 3563 EXPANSION JOINTS

BODY: Carbon Steel per ASTM A53 or ASTM A283 or Carbon Steel.

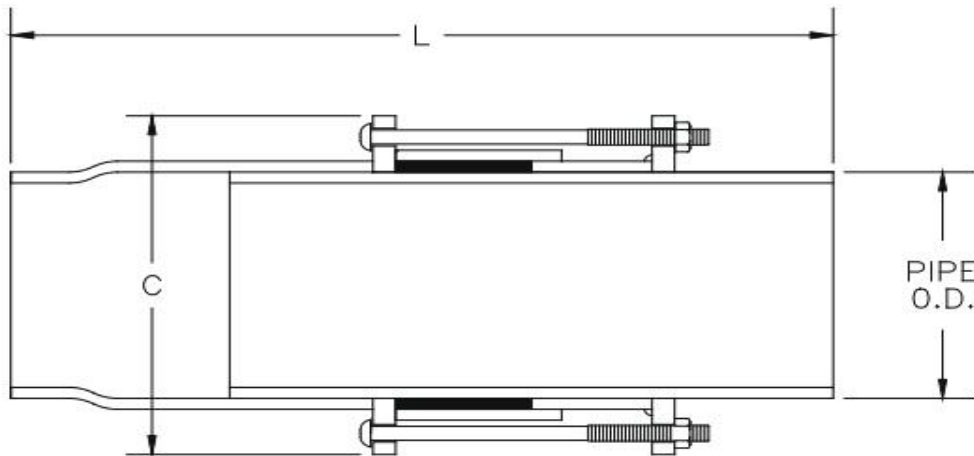
SLIP PIPE: Carbon Steel per ASTM A53 or ASTM A285.

BOLTS & NUTS: Low Alloy Steel per ASTM A307 or ASTM A242.

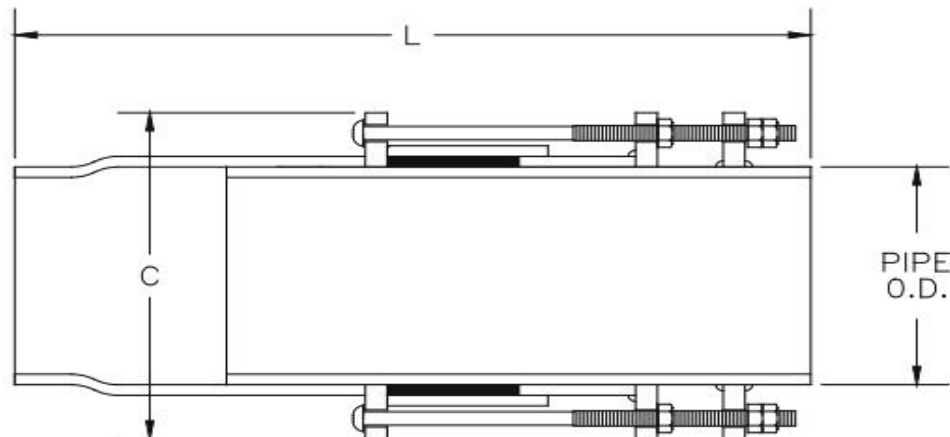
GASKET: SBR per ASTM D2000. Suitable for mild acids, water, and salt media with a temperature range of -25° F to -200° F. Optional materials available.

PowerSeal's Expansion Joints allow for pipeline expansion and contraction for water, oil, and chemical piping systems. Four basic configurations, Single End (SE), Single End with Limit Rods (SELR), Double End (DE), and Double End with Limit Rods (DELR), plus various options including flanged ends, high temperature packing, and special coatings offer the engineer a wide variety of custom designed fabrications to choose from.

SINGLE END (SE)

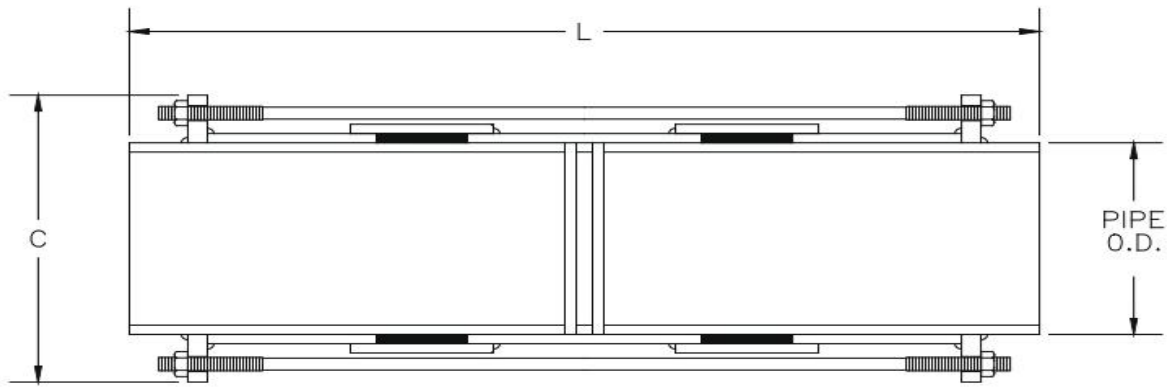


SINGLE END WITH LIMIT RODS (SELR)

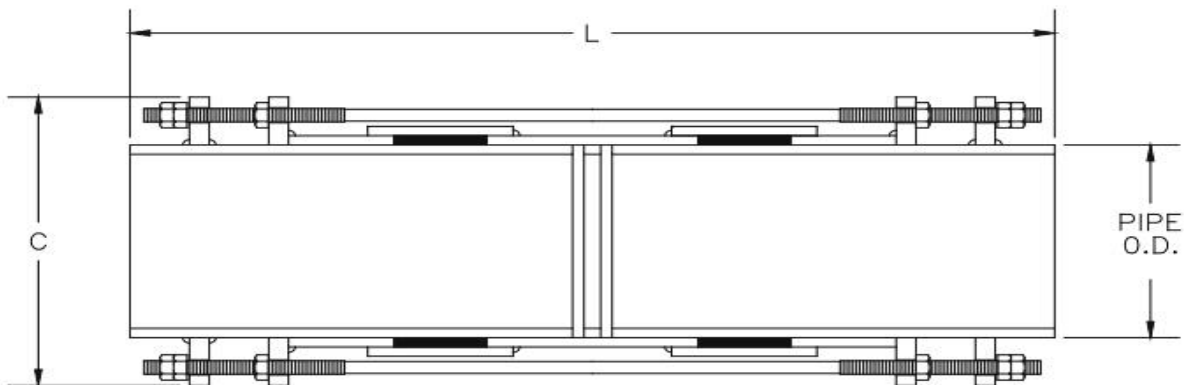


MODEL 3563 EXPANSION JOINTS

DOUBLE END (DE)



DOUBLE END WITH LIMIT RODS (DELR)



Selecting the proper type of Expansion Joint depends upon service conditions, installation requirements, and other system joints. When possible, a composite description of the application with sketches or working drawings should be submitted to aid our Engineering Department's recommendation.

Inquiries and purchase orders should specify the following:

1. Quantity.
2. Model Number and Type.
3. Pipe OD and Wall Thickness.
4. Service (Water, Oil, Gas, etc.).
5. Maximum Working Pressure.
6. Amount of Movement Required.
7. Operating Temperature.
8. Cycle Frequency.
9. End Configuration (Weld Beveled or Flanged).
10. Any Special Installation Conditions.

MODEL 3563 DISMANTLING JOINT

- Labor/time savings; no need to weld or fabricate components to pipe.
- Cost effective when compared to harnessed mechanical coupling systems.
- Laying lengths are offered in both stock and custom sizes to meet your specific requirements.
- Shorter runs because of self-contained design.
- Longitudinal adjustment feature eliminates pipeline fit up problems.
- Reduces maintenance costs of in-line pipe systems.
- NSF 61 approved fusion bonded epoxy aliminates corrosion.
- Consult with costumer service on this products.

