

MODEL 3140 SMALL DIAMETER COLLAR LEAK, 3146 POWERCOOPER

Quality Control Department SAFETY FIRST - Always use cave-in protection, gloves, sturdy works boots, and eye protection when tapping pipe.



GENERAL NOTES:

- Use cave-in protection during excavation and back-fill operations.
- Verify Pipe O.D. to make certain that the correct Repair Clamp is being installed.
- Keep bolt threads clean and free from nicks, dents or other damage.
- If conditions permit, mark the pipe for a reference point to properly position the clamp.
- Lubrication of the gasket with a soap solution reduces friction and more evenly distributes clamping force. For cold weather lubrication, ethylene glycol can be added to the soap solution to prevent freezing.
- Before start, the installer shall determine the suitability of the product for his intended use and the installer assumes all risk and liability for the application of the product.

OTHER INFO:

- After proper torque is applied, the gap between panels is not going to be completely even, but make sure they are not touching each other. Re-torque bolt if necessary, but do not over torque them.

RECOMMENDED TORQUE	
Bolt Diameter	Torque (ft-lb)
7/16"	35-50
3/8"	35-50



1

Thoroughly clean the pipe surface, and inspect the area where the collar leak will be installed for flaws, i.e., gouges, protrusions, excessive corrosion, etc.



2

Check both outside diameters (OD) and make sure you have the proper step gasket collar leak.



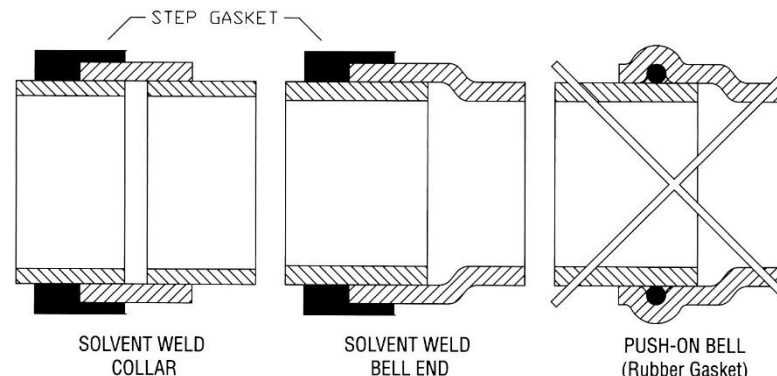
3

Loosen the nut to the end of the bolt and open the clamp. Do not disassemble. Lubricate pipe and gasket with soap/water solution.



4

Position the step gasket making sure the thicker part of the gasket goes on the smaller diameter (pipe) and the thinner part goes on the larger diameter (Collar or Bell). Push the step gasket against the pipe step as graph below shows. Make sure gasket is completely pressed into position against the joint step.



REPOSITIONING INSTRUCTIONS

If initial installation of the clamp does not satisfactorily seal the leak then repositioning may be necessary.

- Step 1. Loosen nuts until clamp moves freely on the pipe.
- Step 2. Perform steps 3 through 5 again.

MODEL 3140 SMALL DIAMETER COLLAR LEAK, 3146 POWERCOOPER

Quality Control Department SAFETY FIRST - Always use cave-in protection, gloves, sturdy works boots, and eye protection when tapping pipe.



Once the clamp is in the right position, fit the bolt head on the hook of the lug and start tightening the nut by hand.



Tighten nuts until clamp is tight or leak is stopped (approximately 50ft-lb of torque).

PRE-INSTALL CHECKLIST:

DID YOU:

- Clean pipe surface thoroughly? [Y] [N]
- Check O.D. of pipe with measuring tape? [Y] [N]
- Lubricate the Pipe with Dishwashing Soap? [Y] [N]
- Verify Proper Torque Required? [Y] [N]
- Bring the proper equipment required to support the valve during the tap? [Y] [N]

WARRANTY CHECKLIST (*):

- Date of Installation __/__/____
- Time of Installation _____ [AM] [PM]
- Was Pre-Tap Pressure Test completed to appropriate pressure level? [Y] [N]
- What Pressure was it tested to? ____ psi
- (PowerSeal recommends torquing in 25 ft-lb increments) * Torque Applied: _____ ft-lbs
- Was standard re-torqueing applied 5 minutes after reaching torque requirements? [Y] [N]
- Was an even gap between top and bottom shell maintained while torquing the nuts in sequence? [Y] [N]
- Was the Valve Supported During Installation? [Y] [N]

If so, with what was it supported by? _____

• Signature of On-Site Leadman: _____

*** Must be completed on day of installation to Validate Warranty**