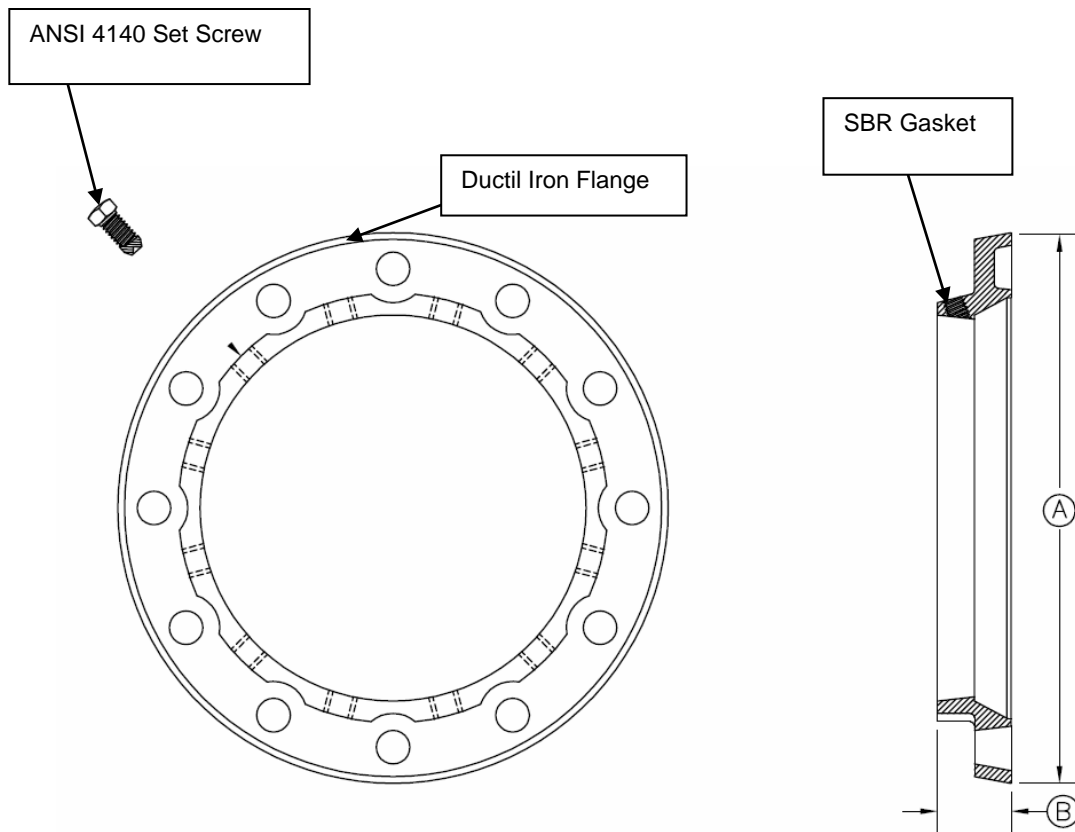


Features and Benefits

1. Provides a flexible and secure attachment incorporating the flange in a smooth end of any type of pipe without welding.
2. SBR gasket made out of 100% new rubber to insure a proper performance under high pressure, potable water, salt water, acids, and chemical componets.
SBR ideal for temperaturas from -25° to +200°F. Other options available.
3. Fusion bonded epoxy coated for optimal protection.



Scope

The purpose of this specification is to receive a Insta-Flange Adapter from 2” to 12” of nominal diameter. The supplied adapter should be equivalent to the 3531 Insta-Flange Adapter model fabricated by Powerseal Pipeline Products Corp and should comply the AWWA C219.

Material design and specifications

1. The Insta-Flange Adapter should comply all of the next material specifications.
2. Gasket should be molded rubber and vulcanized SBR (Styrene Butadiene Rubber) porous area free, foreign material free and without visible defects. Recyclable material should not be used. The gasket should comply with ASTM D2000 to insure that its specifications last while in stock. Other options available
3. Set screws are ANSI 4140 heat treated Steel.

Material Specification		
Name	Material	Specification
Flange	Ductile Iron (65-45-12)	ASTM A536
Gaskets	SBR	ASTM D2000
Bolts	Heat Treated Steel	ANSI 4140
Finish	Epoxy Coated	AWWA C210

General dimension chart

Nominal Pipe Size	Steel Pipe O.D.	Cast Pipe O.D.	Dimensions			Standard Set Screw		Weight
			Standard Set Screw		Bolt Hole Diameter	Qty.	Size	
			Flange Diameter “A”	Flange Thickness “B”				
3	3.50	3.80	7.5	1.8	3/4	4	1/2 x 1	5
4	4.50	4.80	9	1.8	3/4	4	1/2 x 1	7
6	6.63	6.90	11	1.8	7/8	8	1/2 x 1	10
8	8.63	9.05	13.5	2.3	7/8	8	5/8 x 1.25	16
10	10.75	11.10	16	2.3	1	12	5/8 x 1.25	25
12	12.75	13.20	19	2.3	1	12	5/8 x 1.25	33

