



PowerSeal
PIPELINE PRODUCTS CORPORATION



Saddles
January 2015

3401 BRONZE SADDLE FOR IPS PVC

BODY CASTINGS: Waterworks Bronze (85-5-5-5) per ASTM B584 and AWWA C800.

FASTENERS: Silicon Bronze per ASTM B98.

GASKET: NBR per ASTM D2000; Patented TwinSeal® dual o-ring design incorporating both hydrostatic and mechanical forces to affect a dynamic seal, with a temperature range of -25°F to +248°F.



Nominal Pipe Size		Pipe OD Range		Box Qty	Outlet Size	Part Number	List Price
Inches	MM	Inches	MM				
1 1/4	32	1.66	42	25	3/4 CC	3401012075HB	\$ 42.00
					3/4 NPT	3401012075HC	
1 1/2	40	1.90	48	25	3/4 CC	3401015075HB	\$ 42.00
					3/4 NPT	3401015075HC	
2	50	2.38	60	20	3/4 CC	3401020075HB	\$ 42.00
					3/4 NPT	3401020075HC	
					1 CC	3401020100HD	
					1 NPT	3401020100HE	
2 1/2	65	2.88	73	12	3/4 CC	3401025075HB	\$ 48.80
					3/4 NPT	3401025075HC	
					1 CC	3401025100HD	
					1 NPT	3401025100HE	
3	80	3.50	84	10	3/4 CC	3401030075HB	\$ 48.80
					3/4 NPT	3401030075HC	
					1 CC	3401030100HD	
					1 NPT	3401030100HE	
					1 1/4 CC	3401030125HF	\$ 96.80
					1 1/4 NPT	3401030125HG	
					1 1/2 CC	3401030150HH	
					1 1/2 NPT	3401030150HI	
					2 CC	3401030200HJ	
					2 NPT	3401030200HK	
3 1/2	90	4.00	101	10	3/4 CC	3401035075HB	\$ 53.20
					3/4 NPT	3401035075HC	
					1 CC	3401035100HD	
					1 NPT	3401035100HE	
4	100	4.50	114	8	3/4 CC	3401040075HB	\$ 57.50
					3/4 NPT	3401040075HC	
					1 CC	3401040100HD	
					1 NPT	3401040100HE	
					1 1/4 CC	3401040125HF	\$ 123.70
					1 1/4 NPT	3401040125HG	
					1 1/2 CC	3401040150HH	
					1 1/2 NPT	3401040150HI	
					2 CC	3401040200HJ	
					2 NPT	3401040200HK	

3401 BRONZE SADDLE FOR IPS PVC

Nominal Pipe Size		Pipe OD Range		Box Qty	Outlet Size	Part Number	List Price	
Inches	MM	Inches	MM					
5	125	5.56	141	8	3/4 CC	3401050075HB	\$ 71.60	
					3/4 NPT	3401050075HC		
					1 CC	3401050100HD		
					1 NPT	3401050100HE		
6	150	6.63	168	8	3/4 CC	3401060075HB	\$ 80.70	
					3/4 NPT	3401060075HC		
					1 CC	3401060100HD		
					1 NPT	3401060100HE		
					1 1/4 CC	3401060125HF	\$ 152.20	
					1 1/4 NPT	3401060125HG		
					1 1/2 CC	3401060150HH		
					1 1/2 NPT	3401060150HI		
8	200	8.63	219	6	2 CC	3401060200HJ	\$ 110.80	
					2 NPT	3401060200HK		
					3/4 CC	3401080075HB		\$ 156.90
					3/4 NPT	3401080075HC		
					1 CC	3401080100HD		
					1 NPT	3401080100HE		
					1 1/4 CC	3401080125HF	\$ 213.80	
					1 1/4 NPT	3401080125HG		
1 1/2 CC	3401080150HH							
1 1/2 NPT	3401080150HI							
10	250	10.75	273	6	2 CC	3401080200HJ	\$ 213.80	
					2 NPT	3401080200HK		
					3/4 CC	3401100075HB		\$ 305.00
					3/4 NPT	3401100075HC		
					1 CC	3401100100HD		
					1 NPT	3401100100HE		
					1 1/4 CC	3401100125HF	\$ 284.50	
					1 1/4 NPT	3401100125HG		
1 1/2 CC	3401100150HH							
1 1/2 NPT	3401100150HI							
12	300	12.75	324	3	2 CC	3401100200HJ	\$ 284.50	
					2 NPT	3401100200HK		
					3/4 CC	3401120075HB		\$ 328.60
					3/4 NPT	3401120075HC		
					1 CC	3401120100HD		
					1 NPT	3401120100HE		
					1 1/4 CC	3401120125HF	\$ 328.60	
					1 1/4 NPT	3401120125HG		
1 1/2 CC	3401120150HH							
1 1/2 NPT	3401120150HI							
					2 CC	3401120200HJ		
					2 NPT	3401120200HK		

HOW TO ORDER: Choose nominal pipe size x outlet size and thread configuration. **EXAMPLE:** 4" PVC O.D. 4.50 with 3/4 CC outlet. Order 3401 - 4 x 3/4 CC. **Part Number:** 3401040075HB .Note: Saddles 3401, 3402, 3403, must be ordered in box quantities.

3402 BRONZE SADDLE FOR COPPER TUBING

BODY CASTINGS: Waterworks Bronze (85-5-5-5) per ASTM B584 and AWWA C800.

FASTENERS: Silicon Bronze per ASTM B98.

GASKET: NBR per ASTM D2000; Patented TwinSeal® dual o-ring design incorporating both hydrostatic and mechanical forces to affect a dynamic seal, with a temperature range of -25°F to +248°F.



Nominal Pipe Size		Pipe OD Range		Box Qty	Outlet Size	Part Number	List Price
Inches	MM	Inches	MM				
2	50	2.13	60	20	3/4 CC	3402020075HB	\$ 52.80
					3/4 NPT	3402020075HC	
					1 CC	3402020100HD	
					1 NPT	3402020100HE	
2 1/2	65	2.63	73	12	3/4 CC	3402025075HB	\$ 58.00
					3/4 NPT	3402025075HC	
					1 CC	3402025100HD	
					1 NPT	3402025100HE	
3	80	3.13	84	10	3/4 CC	3402030075HB	\$ 61.30
					3/4 NPT	3402030075HC	
					1 CC	3402030100HD	
					1 NPT	3402030100HE	

HOW TO ORDER: Choose nominal pipe size x outlet size and thread configuration. EXAMPLE: 3" CTS OD with 3/4 CC Outlet. Order 3402 - 3 x 3/4 CC. **Part Number:** 3402030075HB .

Note: Saddles 3401, 3402, 3403, must be ordered in box quantities.



COATING OPTION: Anti-Seizing/Galling protection. Available for both Alloy and SST application. Inquire with sales for cost and availability

3403 BRONZE SADDLE FOR C900

*DR25 (CL 100) and DR18 (CL 150)



BODY CASTINGS: Waterworks Bronze (85-5-5-5) per ASTM B584 and AWWA C800.

FASTENERS: Silicon Bronze per ASTM B98.

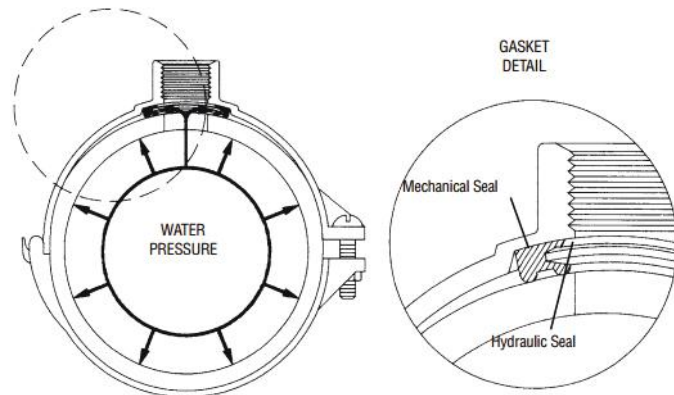
GASKET: NBR per ASTM D2000; Patented TwinSeal® dual o-ring design incorporating both hydrostatic and mechanical forces to affect a dynamic seal, with a temperature range of -25°F to +248°F.

Nominal Pipe Size		Pipe OD Range		Box Qty	Outlet Size	Part Number	List Price
Inches	MM	Inches	MM				
4	100	4.80	122	8	3/4 CC	3403040075HB	\$ 50.20
					3/4 NPT	3403040075HC	
					1 CC	3403040100HD	
					1 NPT	3403040100HE	
					1 1/4 CC	3403040125HF	\$ 125.50
					1 1/4 NPT	3403040125HG	
					1 1/2 CC	3403040150HH	
					1 1/2 NPT	3403040150HI	
					2 CC	3403040200HJ	
					2 NPT	3403040200HK	
6	150	6.90	175	6	3/4 CC	3403060075HB	\$ 68.60
					3/4 NPT	3403060075HC	
					1 CC	3403060100HD	
					1 NPT	3403060100HE	
					1 1/4 CC	3403060125HF	\$ 129.40
					1 1/4 NPT	3403060125HG	
					1 1/2 CC	3403060150HH	
					1 1/2 NPT	3403060150HI	
					2 CC	3403060200HJ	
					2 NPT	3403060200HK	
8	200	9.05	230	5	3/4 CC	3403080075HB	\$ 95.90
					3/4 NPT	3403080075HC	
					1 CC	3403080100HD	
					1 NPT	3403080100HE	
					1 1/4 CC	3403080125HF	\$ 147.70
					1 1/4 NPT	3403080125HG	
					1 1/2 CC	3403080150HH	
					1 1/2 NPT	3403080150HI	
					2 CC	3403080200HJ	
					2 NPT	3403080200HK	

3403 BRONZE SADDLE FOR C900

Nominal Pipe Size		Pipe OD Range		Box Qty	Outlet Size	Part Number	List Price
Inches	MM	Inches	MM				
10	250	11.10	282	3	3/4 CC	3403100075HB	\$ 275.30
					3/4 NPT	3403100075HC	
					1 CC	3403100100HD	
					1 NPT	3403100100HE	
					1 1/4 CC	3403100125HF	\$ 307.00
					1 1/4 NPT	3403100125HG	
					1 1/2 CC	3403100150HH	
					1 1/2 NPT	3403100150HI	
					2 CC	3403100200HJ	
					2 NPT	3403100200HK	
12	300	13.20	335	2	3/4 CC	3403120075HB	\$ 304.70
					3/4 NPT	3403120075HC	
					1 CC	3403120100HD	
					1 NPT	3403120100HE	
					1 1/4 CC	3403120125HF	\$ 350.00
					1 1/4 NPT	3403120125HG	
					1 1/2 CC	3403120150HH	
					1 1/2 NPT	3403120150HI	
					2 CC	3403120200HJ	
					2 NPT	3403120200HK	

PowerSeal's patented dual o-ring TwinSeal® gasket incorporates both hydrostatic and mechanical forces to affect a positive seal on all pipe surfaces. As the distribution system's pressure increases, the tightness of the seal is equally increased. This unique design compensates for expansion and contraction due to pressure or temperature variances in water mains and service lines.



HOW TO ORDER: Choose nominal pipe size x outlet size and thread configuration. **EXAMPLE:** 4" C900 O.D. 4.80 with 3/4 CC outlet. Order 3403 - 4 x 3/4 CC. **Part Number:** 3403040075HB .

Note: Saddles 3401, 3402, 3403, must be ordered in box quantities.

3407 BRONZE SADDLE FOR ASBESTOS-CEMENT, CAST IRON AND C900 PVC

BODY CASTINGS: Waterworks Bronze (85-5-5-5) per ASTM B584 and AWWA C800.

FASTENERS: Silicon Bronze per ASTM B98.

GASKET: NBR per ASTM D2000; Patented TwinSeal® dual o-ring design incorporating both hydrostatic and mechanical forces to affect a dynamic seal, with a temperature range of -25°F to +248°F.



Nominal Pipe Size		Pipe OD Range		Box Qty	Box Qty	Part Number	List Price
Inches	MM	Inches	MM				
4	100	4.80 - 5.45	122 - 140	8	3/4 CC	3407040075HB	\$ 168.90
					3/4 NPT	3407040075HC	
					1 CC	3407040100HD	
					1 NPT	3407040100HE	
					1 1/4 CC	3407040125HF	\$ 184.70
					1 1/4 NPT	3407040125HG	
					1 1/2 CC	3407040150HH	
					1 1/2 NPT	3407040150HI	
6	150	6.85 - 7.45	175 - 190	5	2 CC	3407040200HJ	\$ 196.40
					2 NPT	3407040200HK	
					3/4 CC	3407060075HB	
					3/4 NPT	3407060075HC	
					1 CC	3407060100HD	\$ 217.00
					1 NPT	3407060100HE	
					1 1/4 CC	3407060125HF	
					1 1/4 NPT	3407060125HG	
8	200	9.05 - 9.65	230 - 245	3	1 1/2 CC	3407060150HH	\$ 205.70
					1 1/2 NPT	3407060150HI	
					2 CC	3407060200HJ	
					2 NPT	3407060200HK	
					3/4 CC	3407080075HB	\$ 243.00
					3/4 NPT	3407080075HC	
					1 CC	3407080100HD	
					1 NPT	3407080100HE	
1 1/4 CC	3407080125HF	\$ 243.00					
1 1/4 NPT	3407080125HG						
1 1/2 CC	3407080150HH						
1 1/2 NPT	3407080150HI						
					2 CC	3407080200HJ	
					2 NPT	3407080200HK	

3407 BRONZE SADDLE FOR ASBESTOS-CEMENT, CAST IRON AND C900 PVC

Nominal Pipe Size		Pipe OD Range		Box Qty	Box Qty	Part Number	List Price
Inches	MM	Inches	MM				
10	250	11.05 - 12.05	282 - 307	2	3/4 CC	3407100075HB	\$ 264.60
					3/4 NPT	3407100075HC	
					1 CC	3407100100HD	
					1 NPT	3407100100HE	
					1 1/4 CC	3407100125HF	\$ 311.00
					1 1/4 NPT	3407100125HG	
					1 1/2 CC	3407100150HH	
					1 1/2 NPT	3407100150HI	
					2 CC	3407100200HJ	
					2 NPT	3407100200HK	
12	300	13.20 - 14.20	335 - 360	2	3/4 CC	3407120075HB	\$ 309.30
					3/4 NPT	3407120075HC	
					1 CC	3407120100HD	
					1 NPT	3407120100HE	
					1 1/4 CC	3407120125HF	\$ 354.60
					1 1/4 NPT	3407120125HG	
					1 1/2 CC	3407120150HH	
					1 1/2 NPT	3407120150HI	
					2 CC	3407120200HJ	
					2 NPT	3407120200HK	
16	400	17.40 - 18.40	442 - 467	1	3/4 CC	3407160075HB	\$ 756.00
					3/4 NPT	3407160075HC	
					1 CC	3407160100HD	
					1 NPT	3407160100HE	
					1 1/4 CC	3407160125HF	\$ 882.60
					1 1/4 NPT	3407160125HG	
					1 1/2 CC	3407160150HH	
					1 1/2 NPT	3407160150HI	
					2 CC	3407160200HJ	
					2 NPT	3407160200HK	

HOW TO ORDER: Choose nominal pipe size x outlet size and thread configuration. EXAMPLE: 4" C900 O.D. 4.80 with 3/4 CC outlet. Order 3407 - 4 x 3/4 CC. **Part Number:** 3407040075HB .



COATING OPTION: Anti-Seizing/Galling protection. Available for both Alloy and SST application. Inquire with sales for cost and availability

3409 BRONZE SADDLE WITH STAINLESS STEEL STRAPS FOR ASBESTOS CEMENT, CAST IRON AND C900 PVC

BODY CASTING: Waterworks Bronze (85-5-5-5) per ASTM B584 and AWWA C800.

STRAPS: Type 304 (18-8) Stainless Steel per ASTM A240.

STUD BOLTS: Type 304 (18-8) Stainless Steel per ASTM A193.

NUTS: Type 304 (18-8) Stainless Steel per ASTM A193 and A194. **NOTE:** Hex nuts are furnished with fusion bonded coating to prevent seizing and/or galling.

GASKET: NBR per ASTM D2000; Patented TwinSeal® dual o-ring design incorporating both hydrostatic and mechanical forces to affect a dynamic seal, with a temperature range of -25°F to +248°F.



Nominal Pipe Size		Pipe OD Range		Outlet Size	Part Number	List Price
Inches	MM	Inches	MM			
4	100	4.80 - 5.45	122 - 140	3/4 CC	3409040075HB	\$ 128.60
				3/4 NPT	3409040075HC	
				1 CC	3409040100HD	
				1 NPT	3409040100HE	
				1 1/4 CC	3409040125HF	\$ 185.90
				1 1/4 NPT	3409040125HG	
				1 1/2 CC	3409040150HH	
				1 1/2 NPT	3409040150HI	
				2 CC	3409040200HJ	
				2 NPT	3409040200HK	
6	150	6.85 - 7.45	175 - 190	3/4 CC	3409060075HB	\$ 154.10
				3/4 NPT	3409060075HC	
				1 CC	3409060100HD	
				1 NPT	3409060100HE	
				1 1/4 CC	3409060125HF	\$ 221.40
				1 1/4 NPT	3409060125HG	
				1 1/2 CC	3409060150HH	
				1 1/2 NPT	3409060150HI	
				2 CC	3409060200HJ	
				2 NPT	3409060200HK	
8	200	9.05 - 9.65	230 - 245	3/4 CC	3409080075HB	\$ 195.30
				3/4 NPT	3409080075HC	
				1 CC	3409080100HD	
				1 NPT	3409080100HE	
				1 1/4 CC	3409080125HF	\$ 256.90
				1 1/4 NPT	3409080125HG	
				1 1/2 CC	3409080150HH	
				1 1/2 NPT	3409080150HI	
				2 CC	3409080200HJ	
				2 NPT	3409080200HK	

3409 BRONZE SADDLE WITH STAINLESS STEEL STRAPS FOR ASBESTOS CEMENT, CAST IRON AND C900 PVC

Nominal Pipe Size		Pipe OD Range		Outlet Size	Part Number	List Price
Inches	MM	Inches	MM			
10	250	11.05 - 12.05	282 - 307	3/4 CC	3409100075HB	\$ 322.00
				3/4 NPT	3409100075HC	
				1 CC	3409100100HD	
				1 NPT	3409100100HE	
				1 1/4 CC	3409100125HF	\$ 337.00
				1 1/4 NPT	3409100125HG	
				1 1/2 CC	3409100150HH	
				1 1/2 NPT	3409100150HI	
				2 CC	3409100200HJ	
2 NPT	3409100200HK					
12	300	13.20 - 14.20	335 - 360	3/4 CC	3409120075HB	\$ 337.00
				3/4 NPT	3409120075HC	
				1 CC	3409120100HD	
				1 NPT	3409120100HE	\$ 350.10
				1 1/4 CC	3409120125HF	
				1 1/4 NPT	3409120125HG	
				1 1/2 CC	3409120150HH	
				1 1/2 NPT	3409120150HI	
				2 CC	3409120200HJ	
2 NPT	3409120200HK					
16	400	17.40 - 18.40	442 - 467	3/4 CC	3409120075HB	\$ 584.00
				3/4 NPT	3409160075HC	
				1 CC	3409160075HD	
				1 NPT	3409160100HE	\$ 615.00
				1 1/4 CC	3409160125HF	
				1 1/4 NPT	3409160125HG	
				1 1/2 CC	3409160150HH	
				1 1/2 NPT	3409160150HI	
				2 CC	3409160200HJ	
2 NPT	3409160200HK					

HOW TO ORDER: Choose nominal pipe size x outlet size and thread configuration. EXAMPLE: 4" C900 O.D. 4.80 with 3/4 CC outlet. Order 3409 - 4 x 3/4 CC. **Part Number:** 3409040075HB.



COATING OPTION: Anti-Seizing/Galling protection. Available for both Alloy and SST application. Inquire with sales for cost and availability

3411AS ALL STAINLESS SADDLE - SINGLE STUD BOLT DESIGN

PANEL & LIFTER BAR: Type 304 (18-8) Stainless Steel per ASTM A240.
BOLTS & NUTS: Type 304 (18-8) Stainless Steel per ASTM A193 and A194. **NOTE:** Hex nuts are furnished with fusion bonded coating to prevent seizing and/or galling.
WASHERS: Delrin per ASTM D6778.
LUGS: Type 304 (18-8) Stainless Steel per ASTM A240.
OUTLET: Type 304 (18-8) Stainless Steel per ASTM A276.
GASKET: NBR per ASTM D2000; Mat gasket with patented TwinSeal® dual o-ring design incorporating both hydrostatic and mechanical forces to affect a dynamic seal, with a temperature range of -25°F to +248°F.



Nominal Pipe Size		Pipe OD Range		Width		Outlet Size	Part Number	List Price
Inches	MM	Inches	MM	Inches	MM			
3	80	3.48 - 3.52	88 - 90	4	100	3/4 CC	3411030075TB	\$ 84.00
						3/4 NPT	3411030075TC	
						1 CC	3411030100TD	
						1 NPT	3411030100TE	
3 1/2	90	3.98 - 4.02	101 - 102	4	100	3/4 CC	3411035075TB	\$ 91.10
						3/4 NPT	3411035075TC	
						1 CC	3411035100TD	
						1 NPT	3411035100TE	
4	100	4.50 - 4.80	114 - 122	4	100	3/4 CC	3411040075TB	\$ 98.30
						3/4 NPT	3411040075TC	
						1 CC	3411040100TD	
						1 NPT	3411040100TE	
5	125	5.54 - 5.84	141 - 148	4	100	3/4 CC	3411050075TB	\$ 99.50
						3/4 NPT	3411050075TC	
						1 CC	3411050100TD	
						1 NPT	3411050100TE	
6	150	6.63 - 6.90	168 - 175	4	100	3/4 CC	3411060075TB	\$ 135.40
						3/4 NPT	3411060075TC	
						1 CC	3411060100TD	
						1 NPT	3411060100TE	
8	200	8.63 - 9.05	219 - 230	4	100	3/4 CC	3411080075TB	\$ 137.10
						3/4 NPT	3411080075TC	
						1 CC	3411080100TD	
						1 NPT	3411080100TE	

Custom sizes and ranges available

HOW TO ORDER: Choose nominal pipe size x outlet size and thread configuration. EXAMPLE: 4" C900 O.D. 4.80 with 3/4 CC outlet. Order 3411AS - 4 x 3/4 CC. **Part Number:** 3411040075TB .

3412AS ALL STAINLESS SADDLE - DOUBLE STUD BOLT DESIGN

PANEL & LIFTER BAR: Type 304 (18-8) Stainless Steel per ASTM A240.

BOLTS & NUTS: Type 304 (18-8) Stainless Steel per ASTM A193 and A194. NOTE:

Hex nuts are furnished with fusion bonded coating to prevent seizing and/or galling.

WASHERS: Delrin per ASTM D6778.

LUGS: Type 304 (18-8) Stainless Steel per ASTM A240.

OUTLET: Type 304 (18-8) Stainless Steel per ASTM A276.

GASKET: NBR per ASTM D2000; Mat gasket with patented TwinSeal® dual o-ring design incorporating both hydrostatic and mechanical forces to affect a dynamic seal, with a temperature range of -25°F to +248°F.



Nominal Pipe Size		Pipe OD Range		Width		Outlet Size	Part Number	List Price
Inches	MM	Inches	MM	Inches	MM			
3	80	3.48 - 3.52	88 - 90	6	150	3/4 CC	3412030075TB	\$ 87.00
						3/4 NPT	3412030075TC	
						1 CC	3412030100TD	
						1 NPT	3412030100TE	
						1 1/4 CC	3412030125TF	\$ 188.60
						1 1/4 NPT	3412030125TG	
						1 1/2 CC	3412030150TH	
						1 1/2 NPT	3412030150TI	
						2 CC	3412030200TJ	
						2 NPT	3412030200TK	
3 1/2	90	3.98 - 4.02	101 - 102	6	150	3/4 CC	3412035075TB	\$ 95.90
						3/4 NPT	3412035075TC	
						1 CC	3412035100TD	
						1 NPT	3412035100TE	
						1 1/4 CC	3412035125TF	\$ 191.50
						1 1/4 NPT	3412035125TG	
						1 1/2 CC	3412035150TH	
						1 1/2 NPT	3412035150TI	
						2 CC	3412035200TJ	
						2 NPT	3412035200TK	
4	100	4.50 - 4.80	114 - 122	6	150	3/4 CC	3412040075TB	\$ 99.90
						3/4 NPT	3412040075TC	
						1 CC	3412040100TD	
						1 NPT	3412040100TE	
						1 1/4 CC	3412040125TF	\$ 193.40
						1 1/4 NPT	3412040125TG	
						1 1/2 CC	3412040150TH	
						1 1/2 NPT	3412040150TI	
						2 CC	3412040200TJ	
						2 NPT	3412040200TK	

3412AS ALL STAINLESS SADDLE - DOUBLE STUD BOLT DESIGN

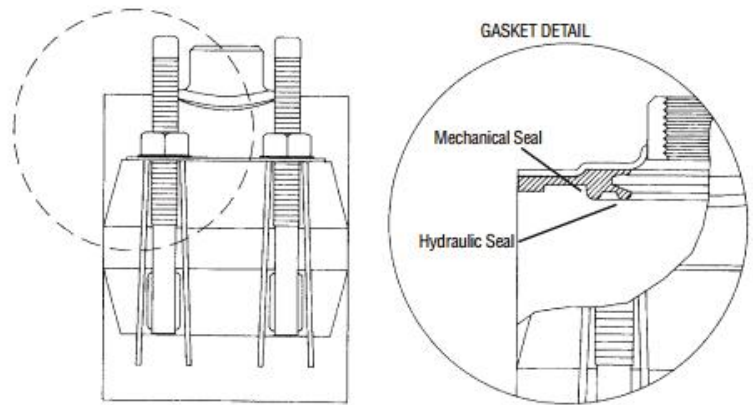
Nominal Pipe Size		Pipe OD Range		Width		Outlet Size	Part Number	List Price
Inches	MM	Inches	MM	Inches	MM			
5	125	5.54 - 5.84	141 - 148	6	150	3/4 CC	3412050075TB	\$ 102.00
						3/4 NPT	3412050075TC	
						1 CC	3412050100TD	
						1 NPT	3412050100TE	
						1 1/4 CC	3412050125TF	\$ 195.30
						1 1/4 NPT	3412050125TG	
						1 1/2 CC	3412050150TH	
						1 1/2 NPT	3412050150TI	
						2 CC	3412050200TJ	
						2 NPT	3412050200TK	
6	150	6.63 - 6.90	168 - 175	6	150	3/4 CC	3412060075TB	\$ 142.80
						3/4 NPT	3412060075TC	
						1 CC	3412060100TD	
						1 NPT	3412060100TE	
						1 1/4 CC	3412060125TF	\$ 201.00
						1 1/4 NPT	3412060125TG	
						1 1/2 CC	3412060150TH	
						1 1/2 NPT	3412060150TI	
						2 CC	3412060200TJ	
						2 NPT	3412060200TK	
8	200	8.63 - 9.05	219 - 230	6	150	3/4 CC	3412080075TB	\$ 144.90
						3/4 NPT	3412080075TC	
						1 CC	3412080100TD	
						1 NPT	3412080100TE	
						1 1/4 CC	3412080125TF	\$ 209.50
						1 1/4 NPT	3412080125TG	
						1 1/2 CC	3412080150TH	
						1 1/2 NPT	3412080150TI	
						2 CC	3412080200TJ	
						2 NPT	3412080200TK	
10	250	10.75 - 11.10	273 - 282	6	150	3/4 CC	3412100075TB	\$ 176.60
						3/4 NPT	3412100075TC	
						1 CC	3412100100TD	
						1 NPT	3412100100TE	
						1 1/4 CC	3412100125TF	\$ 220.90
						1 1/4 NPT	3412100125TG	
						1 1/2 CC	3412100150TH	
						1 1/2 NPT	3412100150TI	
						2 CC	3412100200TJ	
						2 NPT	3412100200TK	

3412AS ALL STAINLESS SADDLE - DOUBLE STUD BOLT DESIGN

Nominal Pipe Size		Pipe OD Range		Width		Outlet Size	Part Number	List Price
Inches	MM	Inches	MM	Inches	MM			
12	300	12.75 - 13.20	324 - 335	6	150	3/4 CC	3412120075TB	\$ 180.60
						3/4 NPT	3412120075TC	
						1 CC	3412120100TD	
						1 NPT	3412120100TE	
						1 1/4 CC	3412120125TF	\$ 233.80
						1 1/4 NPT	3412120125TI	
						1 1/2 CC	3412120150TH	
						1 1/2 NPT	3412120150TI	
						2 CC	3412120200TJ	
						2 NPT	3412120200TK	

HOW TO ORDER: Choose nominal pipe size x outlet size and thread configuration. EXAMPLE: 4" C900 O.D. 4.80 with 3/4 CC outlet. Order 3412AS - 4 x 3/4 CC. **Part Number:** 3412040075TB .

The patented dual o-ring TwinSeal® gasket incorporates both hydrostatic and mechanical forces to affect a positive seal on all pipe surfaces. As the distribution system's pressure increases, the tightness of the seal is equally increased. This unique design compensates for expansion and contraction due to pressure or temperature variances in water mains and service lines. The large area of gasket in contact with the pipe also serves to prevent saddle rotation while in service and the tapered ends provide a contoured fit to the pipe.



ALL STAINLESS SERVICE SADDLE TWINSEAL GASKET

3414AS ALL STAINLESS WIDE RANGE SADDLE

PANEL & LIFTER BAR: Type 304 (18-8) Stainless Steel per ASTM A240.

BOLTS & NUTS: Type 304 (18-8) Stainless Steel per ASTM A193 and A194. **NOTE:** Hex. nuts are furnished with fusion bonded coating to prevent seizing and/or galling.

WASHERS: Delrin per ASTM D6778.

LUGS: Type 304 (18-8) Stainless Steel per ASTM A240.

OUTLET: Type 304 (18-8) Stainless Steel per ASTM A276.

GASKET: NBR per ASTM D2000; Mat gasket with patented TwinSeal® dual o-ring design incorporating both hydrostatic and mechanical forces to affect a dynamic seal, with a temperature range of -25°F to +248°F.



Nominal Pipe Size		Pipe OD Range		Width		Outlet Size	Part Number	List Price
Inches	MM	Inches	MM	Inches	MM			
4	100	4.50 - 5.10	114 - 130	8	200	3/4 CC	3414040075TB	\$ 119.20
						3/4 NPT	3414040075TC	
						1 CC	3414040100TD	
						1 NPT	3414040100TE	
						1 1/4 CC	3414040125TF	\$ 228.70
						1 1/4 NPT	3414040125TG	
						1 1/2 CC	3414040150TH	
						1 1/2 NPT	3414040150TI	
						2 CC	3414040200TJ	
						2 NPT	3414040200TK	
5	125	5.54 - 6.14	141 - 156	8	200	3/4 CC	3414050075TB	\$ 160.60
						3/4 NPT	3414050075TC	
						1 CC	3414050100TD	
						1 NPT	3414050100TE	
						1 1/4 CC	3414050125TF	\$ 230.90
						1 1/4 NPT	3414040125TG	
						1 1/2 CC	3414050150TH	
						1 1/2 NPT	3414050150TI	
						2 CC	3414050200TJ	
						2 NPT	3414050200TK	
6	150	6.63 - 7.23	168 - 184	8	200	3/4 CC	3414060075TB	\$ 168.90
						3/4 NPT	3414060075TC	
						1 CC	3414060100TD	
						1 NPT	3414060100TE	
						1 1/4 CC	3414060125TF	\$ 237.60
						1 1/4 NPT	3414060125TG	
						1 1/2 CC	3414060150TH	
						1 1/2 NPT	3414060150TI	
						2 CC	3414060200TJ	
						2 NPT	3414060200TK	

3414AS ALL STAINLESS WIDE RANGE SADDLE

Nominal Pipe Size		Pipe OD Range		Width		Outlet Size	Part Number	List Price
Inches	MM	Inches	MM	Inches	MM			
8	200	8.63 - 9.83	219 - 250	8	200	3/4 CC	3414080075TB	\$ 171.30
						3/4 NPT	3414080075TC	
						1 CC	3414080100TD	
						1 NPT	3414080100TE	
						1 1/4 CC	3414080125TF	\$ 247.80
						1 1/4 NPT	3414080125TG	
						1 1/2 CC	3414080150TH	
						1 1/2 NPT	3414080150TI	
						2 CC	3414080200TJ	
2 NPT	3414080200TK							
10	250	10.75 - 11.95	273 - 304	8	200	3/4 CC	3414100075TB	\$ 208.80
						3/4 NPT	3414100075TC	
						1 CC	3414100100TD	
						1 NPT	3414100100TE	
						1 1/4 CC	3414100125TF	\$ 261.20
						1 1/4 NPT	3414100125TG	
						1 1/2 CC	3414100150TH	
						1 1/2 NPT	3414100150TI	
						2 CC	3414100200TJ	
2 NPT	3414100200TK							
12	300	12.75 - 13.95	324 - 354	8	200	3/4 CC	3414120075TB	\$ 213.50
						3/4 NPT	3414120075TC	
						1 CC	3414120100TD	
						1 NPT	3414120100TE	
						1 1/4 CC	3414120125TF	\$ 275.90
						1 1/4 NPT	3414120125TG	
						1 1/2 CC	3414120150TH	
						1 1/2 NPT	3414120150TI	
						2 CC	3414120200TJ	
2 NPT	3414120200TK							

HOW TO ORDER: Choose nominal pipe size x outlet size and thread configuration. EXAMPLE: 4" C900 O.D. 4.80 with 3/4 CC outlet order 3414AS - 4 x 3/4 CC. **Part Number:** 3414040075TB .



COATING OPTION: Anti-Seizing/Galling protection. Available for both Alloy and SST application. Inquire with sales for cost and availability.

3416AS ALL STAINLESS SADDLE LARGER DIAMETERS

PANEL & LIFTER BAR: Type 304 (18-8) Stainless Steel per ASTM A240.

BOLTS & NUTS: Type 304 (18-8) Stainless Steel per ASTM A193 and A194. NOTE: Hex nuts are furnished with fusion bonded coating to prevent seizing and/or galling.

WASHERS: Delrin per ASTM D6778.

LUGS: Type 304 (18-8) Stainless Steel per ASTM A240.

OUTLET: Type 304 (18-8) Stainless Steel per ASTM A276.

GASKET: NBR per ASTM D2000; Mat gasket with patented TwinSeal® dual o-ring design incorporating both hydrostatic and mechanical forces to affect a dynamic seal, with a temperature range of -25°F to +248°F.



Nominal Pipe Size		Pipe OD Range		Width		Letter code	Outlet Size	Part Number	List Price
Inches	MM	Inches	MM	Inches	MM				
14	350	14.00 - 15.20	356 - 386	8	200	A	3/4 CC	341614A075TB	\$ 313.70
							3/4 NPT	341614A075TC	
							1 CC	341614A100TD	
							1 NPT	341614A100TE	
							1 1/4 CC	341614A125TF	\$ 360.80
							1 1/4 NPT	341614A125TG	
							1 1/2 CC	341614A150TH	
							1 1/2 NPT	341614A150TI	
							2 CC	341614A200TJ	
		2 NPT	341614A200TK	\$ 720.00					
		2 1/2 FIP	341614A250TL						
		3 FIP	341614A300TP						
		3/4 CC	341614B075TB		\$ 364.90				
		3/4 NPT	341614B075TC						
		1 CC	341614B100TD						
		1 NPT	341614B100TE						
		1 1/4 CC	341614B125TF	\$ 417.40					
		1 1/4 NPT	341614B125TG						
1 1/2 CC	341614B150TH								
1 1/2 NPT	341614B150TI								
2 CC	341614B200TJ								
2 NPT	341614B200TK	\$ 720.00							
2 1/2 FIP	341614B250TL								
3 FIP	341614B300TP								

3416AS ALL STAINLESS SADDLE LARGER DIAMETERS

Nominal Pipe Size		Pipe OD Range		Width		Letter code	Outlet Size	Part Number	List Price		
Inches	MM	Inches	MM	Inches	MM						
16	400	16.60 - 17.80	422 - 452	8	200	A	3/4 CC	341616A075TB	\$ 364.90		
							3/4 NPT	341616A075TC			
							1 CC	341616A100TD			
							1 NPT	341616A100TE			
							1 1/4 CC	341616A125TF	\$ 417.40		
							1 1/4 NPT	341616A125TG			
							1 1/2 CC	341616A150TH			
							1 1/2 NPT	341616A150TI			
							2 CC	341616A200TJ	\$ 776.70		
							2 NPT	341616A200TK			
							2 1/2 FIP	341616A250TL			
							3 FIP	341616A300TP			
18	450	18.00 - 19.20	457 - 488	8	200	A	3/4 CC	341618A075TB	\$ 409.70		
							3/4 NPT	341618A075TC			
							1 CC	341618A100TD			
							1 NPT	341618A100TE			
							1 1/4 CC	341618A125TF	\$ 546.40		
							1 1/4 NPT	341618A125TG			
							1 1/2 CC	341618A150TH			
							1 1/2 NPT	341618A150TI			
							2 CC	341618A200TJ	\$ 905.70		
							2 NPT	341618A200TK			
							2 1/2 FIP	341618A250TL			
							3 FIP	341618A300TP			
		19.50-20.70	495-526	8	200	8	200	B	3/4 CC	341618B075TB	\$ 409.70
									3/4 NPT	341618B075TC	
									1 CC	341618B100TD	
									1 NPT	341618B100TE	
									1 1/4 CC	341618B125TF	\$ 546.40
									1 1/4 NPT	341618B125TG	
									1 1/2 CC	341618B150TH	
									1 1/2 NPT	341618B150TI	
									2 CC	341618B200TJ	\$ 905.70
									2 NPT	341618B200TK	
									2 1/2 FIP	341618B250TL	
									3 FIP	341618B300TP	

3416AS ALL STAINLESS SADDLE LARGER DIAMETERS

Nominal Pipe Size		Pipe OD Range		Width		Letter code	Outlet Size	Part Number	List Price
Inches	MM	Inches	MM	Inches	MM				
20	500	21.60 - 22.80	549 - 579	8	200	A	3/4 CC	341620A075TB	\$ 432.60
							3/4 NPT	341620A075TC	
							1 CC	341620A100TD	
							1 NPT	341620A100TE	
							1 1/4 CC	341620A125TF	\$ 569.10
							1 1/4 NPT	341620A125TG	
							1 1/2 CC	341620A150TH	
							1 1/2 NPT	341620A150TI	
							2 CC	341620A200TJ	\$ 912.50
							2 NPT	341620A200TK	
							2 1/2 FIP	341620A250TL	
							3 FIP	341620A300TP	
24	600	24.00 - 25.20	610 - 640	8	200	A	3/4 CC	341624A075TB	\$ 452.20
							3/4 NPT	341624A075TC	
							1 CC	341624A100TD	
							1 NPT	341624A100TE	
							1 1/4 CC	341624A125TF	\$ 594.80
							1 1/4 NPT	341624A125TG	
							1 1/2 CC	341624A150TH	
							1 1/2 NPT	341624A150TI	
							2 CC	341624A200TJ	\$ 953.70
							2 NPT	341624A200TK	
							2 1/2 FIP	341624A250TL	
							3 FIP	341624A300TP	
24	600	25.80 - 27.00	655 - 686	8	200	B	3/4 CC	341624B075TB	\$ 452.20
							3/4 NPT	341624B075TC	
							1 CC	341624B100TD	
							1 NPT	341624B100TE	
							1 1/4 CC	341624B125TF	\$ 594.80
							1 1/4 NPT	341624B125TG	
							1 1/2 CC	341624B150TH	
							1 1/2 NPT	341624B150TI	
							2 CC	341624B200TJ	\$ 594.80
							2 NPT	341624B200TK	
							2 1/2 FIP	341624B250TL	
							3 FIP	341624B300TP	

3416AS ALL STAINLESS SADDLE LARGER DIAMETERS

Nominal Pipe Size		Pipe OD Range		Width		Letter code	Outlet Size	Part Number	List Price		
Inches	MM	Inches	MM	Inches	MM						
30	750	30.00 - 31.20	762 - 792	8	200	A	3/4 CC	341630A075TB	\$ 944.90		
							3/4 NPT	341630A075TC			
							1 CC	341630A100TD			
							1 NPT	341630A100TE			
							1 1/4 CC	341630A125TF	\$ 1,213.90		
							1 1/4 NPT	341630A125TG			
							1 1/2 CC	341630A150TH			
		1 1/2 NPT	341630A150TI								
		2 CC	341630A200TJ	\$ 1,735.00							
		2 NPT	341630A200TK								
		2 1/2 FIP	341630A250TL								
		3 FIP	341630A300TP								
		30	750	32.00 - 33.20	813 - 843	8	200	B	3/4 CC	341630B075TB	\$ 944.90
									3/4 NPT	341630B075TC	
1 CC	341630B100TD										
1 NPT	341630B100TE										
1 1/4 CC	341630B125TF								\$ 1,213.90		
1 1/4 NPT	341630B125TG										
1 1/2 CC	341630B150TH										
1 1/2 NPT	341630B150TI										
2 CC	341630B200TJ			\$ 1,735.00							
2 NPT	341630B200TK										
2 1/2 FIP	341630B250TL										
3 FIP	341630B300TP										
36	900			36.00 - 37.20	914 - 945	8	200	A	3/4 CC	341636A075TB	\$ 1,049.70
									3/4 NPT	341636A075TC	
		1 CC	341636A100TD								
		1 NPT	341636A100TE								
		1 1/4 CC	341636A125TF						\$ 1,349.20		
		1 1/4 NPT	341636A125TG								
		1 1/2 CC	341636A150TH								
		1 1/2 NPT	341636A150TI								
		2 CC	341636A200TJ	\$ 1,798.50							
		2 NPT	341636A200TK								
		2 1/2 FIP	341636A250TL								
		3 FIP	341636A300TP								

3416AS ALL STAINLESS SADDLE LARGER DIAMETERS

Nominal Pipe Size		Pipe OD Range		Width		Letter code	Outlet Size	Part Number	List Price		
Inches	MM	Inches	MM	Inches	MM						
42	100	44.20 - 45.40	1123 - 1153	8	200	B	3/4 CC	341642B075TB	\$ 1,238.00		
							3/4 NPT	341642B075TC			
							1 CC	341642B100TD			
							1 NPT	341642B100TE			
							1 1/4 CC	341642B125TF	\$ 1,573.30		
							1 1/4 NPT	341642B125TG			
							1 1/2 CC	341642B150TH			
		1 1/2 NPT	341642B150TI								
		2 CC	341642B200TJ	\$ 2,098.20							
		2 NPT	341642B200TK								
		2 1/2 FIP	341642B250TL								
		3 FIP	341642B300TP								
		42	100	45.50 - 46.70	1156 - 1186	8	200	C	3/4 CC	341642C075TB	\$ 1,238.00
									3/4 NPT	341642C075TC	
1 CC	341642C100TD										
1 NPT	341642C100TE										
1 1/4 CC	341642C125TF								\$ 1,573.30		
1 1/4 NPT	341642C125TG										
1 1/2 CC	341642C150TH										
1 1/2 NPT	341642C150TI										
2 CC	341642C200TJ			\$ 2,098.20							
2 NPT	341642C200TK										
2 1/2 FIP	341642C250TL										
3 FIP	341642C300TP										
48	1200			48.00 - 49.20	1219 - 1250	8	200	A	3/4 CC	341648A075TB	\$ 1,398.00
									3/4 NPT	341648A075TC	
		1 CC	341648A100TD								
		1 NPT	341648A100TE								
		1 1/4 CC	341648A125TF						\$ 1,798.50		
		1 1/4 NPT	341648A125TG								
		1 1/2 CC	341648A150TH								
		1 1/2 NPT	341648A150TI								
		2 CC	341648A200TJ	\$ 2,302.20							
		2 NPT	341648A200TK								
		2 1/2 FIP	341648A250TL								
		3 FIP	341648A300TP								

3416AS ALL STAINLESS SADDLE LARGER DIAMETERS

Nominal Pipe Size		Pipe OD Range		Width		Letter code	Outlet Size	Part Number	List Price		
Inches	MM	Inches	MM	Inches	MM						
48	1200	50.50 - 51.70	1283 - 1313	8	200	B	3/4 CC	341648B075TB	\$ 1,398.00		
							3/4 NPT	341648B075TC			
							1 CC	341648B100TD			
							1 NPT	341648B100TE			
							1 1/4 CC	341648B125TF	\$ 1,798.50		
							1 1/4 NPT	341648B125TG			
							1 1/2 CC	341648B150TH			
		1 1/2 NPT	341648B150TI								
		2 CC	341648B200TJ	\$ 2,302.20							
		2 NPT	341648B200TK								
		2 1/2 FIP	341648B250TL								
		3 FIP	341648B300TP								
		48	1000	51.80 - 53.00	1316 - 1346	8	200	C	3/4 CC	341648C075TB	\$ 1,509.40
									3/4 NPT	341648C075TC	
1 CC	341648C100TD										
1 NPT	341648C100TE										
1 1/4 CC	341648C125TF								\$ 1,878.00		
1 1/4 NPT	341648C125TG										
1 1/2 CC	341648C150TH										
1 1/2 NPT	341648C150TI										
2 CC	341648C200TJ			\$ 2,427.00							
2 NPT	341648C200TK										
2 1/2 FIP	341648C250TL										
3 FIP	341648C300TP										
48	100			53.10 - 54.30	1349 - 1379	8	200	D	3/4 CC	341648D075TB	\$ 1,509.40
									3/4 NPT	341648D075TC	
		1 CC	341648D100TD								
		1 NPT	341648D100TE								
		1 1/4 CC	341648D125TF						\$ 1,878.00		
		1 1/4 NPT	341648D125TG								
		1 1/2 CC	341648D150TH								
		1 1/2 NPT	341648D150TI								
		2 CC	341648D200TJ	\$ 2,427.00							
		2 NPT	341648D200TK								
		2 1/2 FIP	341648D250TL								
		3 FIP	341648D300TP								

HOW TO ORDER: Choose nominal pipe size x outlet size and thread configuration. EXAMPLE: 16" C900 O.D. 17.40 with 3/4 CC outlet. Order 3416AS - 16A x 3/4 CC. **Part Number:** 341616A075TB.

Sizes above 30" are supplied with a drop in bolt desgin.

NOTE: Other ranges, tap sizes available upon request.

3421AS SINGLE STRAP ALL STAINLESS SADDLE "WIDE RANGE"

PANEL & LIFTER BAR: Type 304 (18-8) Stainless Steel per ASTM A240.

BOLTS & NUTS: Type 304 (18-8) Stainless Steel per ASTM A193 and A194. **NOTE:** Hex nuts are furnished with fusion bonded coating to prevent seizing and/or galling.

WASHERS: Delrin per ASTM D6778.

LUGS: Type 304 (18-8) Stainless Steel per ASTM A240.

OUTLET: Type 304 (18-8) Stainless Steel per ASTM A276.

GASKET: NBR per ASTM D2000; Mat gasket with patented TwinSeal® dual o-ring design incorporating both hydrostatic and mechanical forces to affect a dynamic seal, with a temperature range of -25°F to +248°F.

BODY WIDTH: 4".

STRAP WIDTH: 2".



Nominal Pipe Size		Clamp OD Range		Letter code	Outlet Size	Part Number	List Price			
Inches	MM	Inches	MM							
4	100	4.35 - 5.65	111 - 144	A	3/4 CC	342104A075TB	\$ 177.70			
					3/4 NPT	342104A075TC				
					1 CC	342104A100TD				
					1 NPT	342104A100TE				
5	125	5.40 - 6.40	137 - 163	A	3/4 CC	342105A075TB	\$ 142.30			
					3/4 NPT	342105A075TC				
					1 CC	342105A100TD				
					1 NPT	342105A100TE				
6	150	6.45 - 7.75	164 - 197	A	3/4 CC	342106A075TB	\$ 146.40			
					3/4 NPT	342106A075TC				
					1 CC	342106A100TD				
					1 NPT	342106A100TE				
8	200	8.50 - 9.80	216 - 249	A	3/4 CC	342108A075TB	\$ 149.60			
					3/4 NPT	342108A075TC				
					1 CC	342108A100TD				
					1 NPT	342108A100TE				
10	250	10.25 - 11.55	260 - 293	A	3/4 CC	342110A075TB	\$ 179.30			
					3/4 NPT	342110A075TC				
					1 CC	342110A100TD				
		10.95 - 12.35	278 - 314	B	3/4 CC	342110B075TB				
					3/4 NPT	342110B075TC				
					1 CC	342110B100TD				
12	300	12.30 - 13.60	312 - 345	A	1 NPT	342112A100TE	\$ 184.30			
					13.14 - 14.44	334-367		B	3/4 CC	342112B075TB
									3/4 IP	342112B075TC
		1 CC	342112B100TD							
		1 NPT	342112B100TE							

HOW TO ORDER: Choose nominal pipe sizes x outlet size and thread configuration.

EXAMPLE: 12" ductile iron pipe with a 1" CC tap. Order 3421AS-12A x 1CC. **Part Number:** 342112A100TD.

NOTE: Other ranges, tap sizes available upon request.

3422AS DOUBLE STRAP ALL STAINLESS SADDLE “WIDE RANGE”

PANEL & LIFTER BAR: Type 304 (18-8) Stainless Steel per ASTM A240.
BOLTS & NUTS: Type 304 (18-8) Stainless Steel per ASTM A193 and A194. **NOTE:** Hex nuts are furnished with fusion bonded coating to prevent seizing and/or galling.
WASHERS: Delrin per ASTM D6778.
LUGS: Type 304 (18-8) Stainless Steel per ASTM A240.
OUTLET: Type 304 (18-8) Stainless Steel per ASTM A276.
GASKET: NBR per ASTM D2000; Mat gasket with patented TwinSeal® dual o-ring design incorporating both hydrostatic and mechanical forces to affect a dynamic seal, with a temperature range of -25°F to +248°F.
BODY WIDTH: 8".
STRAP WIDTH: 2".



Nominal Pipe Size		Clamp OD Range		Letter code	Outlet Size	Part Number	List Price
Inches	MM	Inches	MM				
4	100	4.35 - 5.65	111 - 144	A	3/4 CC	342204A075TB	\$ 209.80
					3/4 NPT	342204A075TC	
					1 CC	342204A100TD	
					1 NPT	342204A100TE	
					1 1/4 CC	342204A125TF	\$ 232.90
					1 1/4 NPT	342204A125TG	
					1 1/2 CC	342204A150TH	
					1 1/2 NPT	342204A150TI	
					2 CC	342204A200TJ	
					2 NPT	342204A200TK	
5	125	5.40 - 6.40	137 - 163	A	3/4 CC	342205A075TB	\$ 211.00
					3/4 NPT	342205A075TC	
					1 CC	342205A100TD	
					1 NPT	342205A100TE	
					1 1/4 CC	342205A125TF	\$ 236.10
					1 1/4 NPT	342205A125TG	
					1 1/2 CC	342205A150TH	
					1 1/2 NPT	342205A150TI	
					2 CC	342205A200TJ	
					2 NPT	342205A200TK	
6	150	6.45 - 7.75	164 - 197	A	3/4 CC	342206A075TB	\$ 217.60
					3/4 NPT	342206A075TC	
					1 CC	342206A100TD	
					1 NPT	342206A100TE	
					1 1/4 CC	342206A125TF	\$ 241.80
					1 1/4 NPT	342206A125TG	
					1 1/2 CC	342206A150TH	
					1 1/2 NPT	342206A150TI	
					2 CC	342206A200TJ	
					2 NPT	342206A200TK	

3422AS DOUBLE STRAP ALL STAINLESS SADDLE “WIDE RANGE”

Nominal Pipe Size		Clamp OD Range		Letter code	Outlet Size	Part Number	List Price
Inches	MM	Inches	MM				
8	200	8.50 - 9.80	216 - 249	A	3/4 CC	342208A075TB	\$ 222.20
					3/4 NPT	342208A075TC	
					1 CC	342208A100TD	
					1 NPT	342208A100TE	
					1 1/4 CC	342208A125TF	\$ 246.80
					1 1/4 NPT	342208A125TG	
					1 1/2 CC	342208A150TH	
					1 1/2 NPT	342208A150TI	
					2 CC	342208A200TJ	
					2 NPT	342208A200TK	
10	250	10.25 - 11.55	260 - 292	A	3/4 CC	342210A075TB	\$ 233.10
					3/4 NPT	342210A075TC	
					1 CC	342210A100TD	
					1 NPT	342210A100TE	
					1 1/4 CC	342210A125TF	\$ 259.00
					1 1/4 NPT	342210A125TG	
					1 1/2 CC	342210A150TH	
					1 1/2 NPT	342210A150TI	
		2 CC	342210A200TJ				
		2 NPT	342210A200TK				
		10.95 - 12.35	278 - 314	B	3/4 CC	342210B075TB	\$ 233.10
					3/4 NPT	342210B075TC	
					1 CC	342210B100TD	
					1 NPT	342210B100TE	
1 1/4 CC	342210B125TF				\$ 259.00		
1 1/4 NPT	342210B125TG						
12	300	12.30 - 13.60	312 - 345	A	3/4 CC	342212A075TB	\$ 239.30
					3/4 NPT	342212A075TC	
					1 CC	342212A100TD	
					1 NPT	342212A100TE	
					1 1/4 CC	342212A125TF	\$ 265.80
					1 1/4 NPT	342212A125TG	
					1 1/2 CC	342212A150TH	
					1 1/2 NPT	342212A150TI	
					2 CC	342212A200TJ	
					2 NPT	342212A200TK	

3422AS DOUBLE STRAP ALL STAINLESS SADDLE “WIDE RANGE”

Nominal Pipe Size		Clamp OD Range		Letter code	Outlet Size	Part Number	List Price		
Inches	MM	Inches	MM						
12	300	13.14 - 14.44	334 - 367	B	3/4 CC	342212B075TB	\$ 239.30		
					3/4 NPT	342212B075TC			
					1 CC	342212B100TD			
					1 NPT	342212B100TE			
					1 1/4 CC	342212B125TF	\$ 265.80		
					1 1/4 NPT	342212B125TG			
					1 1/2 CC	342212B150TH			
					1 1/2 NPT	342212B150TI			
					2 CC	342212B200TJ			
					2 NPT	342212B200TK			
14	350	14.00 - 15.30	356 - 389	A	3/4 CC	342214A075TB	\$ 269.10		
					3/4 NPT	342214A075TC			
					1 CC	342214A100TD			
					1 NPT	342214A100TE			
					1 1/4 CC	342214A125TF	\$ 299.00		
					1 1/4 NPT	342214A125TG			
					1 1/2 CC	342214A150TH			
					1 1/2 NPT	342214A150TI			
		2 CC	342214A200TJ						
		2 NPT	342214A200TK						
		14	350	15.40 - 16.70	391 - 424	B	3/4 CC	342214B075TB	\$ 269.10
							3/4 NPT	342214B075TC	
							1 CC	342214B100TD	
							1 NPT	342214B100TE	
1 1/4 CC	342214B125TF						\$ 299.00		
1 1/4 NPT	342214B125TG								
16	400	16.20 - 17.50	412 - 445	A	3/4 CC	342216A075TB	\$ 274.40		
					3/4 NPT	342216A075TC			
					1 CC	342216A100TD			
					1 NPT	342216A100TE			
					1 1/4 CC	342216A125TF	\$ 304.90		
					1 1/4 NPT	342216A125TG			
					1 1/2 CC	342216A150TH			
					1 1/2 NPT	342216A150TI			
					2 CC	342216A200TJ			
					2 NPT	342216A200TK			

3422AS DOUBLE STRAP ALL STAINLESS SADDLE “WIDE RANGE”

Nominal Pipe Size		Clamp OD Range		Letter code	Outlet Size	Part Number	List Price
Inches	MM	Inches	MM				
16	400	17.90 - 19.20	455 - 488	B	3/4 CC	342216B075TB	\$ 274.40
					3/4 NPT	342216B075TC	
					1 CC	342216B100TD	
					1 NPT	342216B100TE	
					1 1/4 CC	342216B125TF	\$ 304.90
					1 1/4 NPT	342216B125TG	
					1 1/2 CC	342216B150TH	
					1 1/2 NPT	342216B150TI	
2 CC	342216B200TJ	\$ 304.90					
2 NPT	342216B200TK						
18	450	19.20 - 20.40	488 - 518	A	3/4 CC	342218A075TB	\$ 295.10
					3/4 NPT	342218A075TC	
					1 CC	342218A100TD	
					1 NPT	342218A100TE	
					1 1/4 CC	342218A125TF	\$ 328.30
					1 1/4 NPT	342218A125TG	
					1 1/2 CC	342218A150TH	
					1 1/2 NPT	342218A150TI	
2 CC	342218A200TJ	\$ 328.30					
2 NPT	342218A200TK						
20	500	21.50 - 22.80	546 - 579	A	3/4 CC	342220A075TB	\$ 301.10
					3/4 NPT	342220A075TC	
					1 CC	342220A100TD	
					1 NPT	342220A100TE	
					1 1/4 CC	342220A125TF	\$ 334.60
					1 1/4 NPT	342220A125TG	
					1 1/2 CC	342220A150TH	
					1 1/2 NPT	342220A150TI	
2 CC	342220A200TJ	\$ 334.60					
2 NPT	342220A200TK						
24	600	25.70 - 27.00	653 - 686	A	3/4 CC	342224A075TB	\$ 319.80
					3/4 NPT	342224A075TC	
					1 CC	342224A100TD	
					1 NPT	342224A100TE	
					1 1/4 CC	342224A125TF	\$ 355.30
					1 1/4 NPT	342224A125TG	
					1 1/2 CC	342224A150TH	
					1 1/2 NPT	342224A150TI	
2 CC	342224A200TJ	\$ 355.30					
2 NPT	342224A200TK						

HOW TO ORDER: Choose nominal pipe sizes x outlet size and thread configuration. EXAMPLE: 12” ductile iron pipe with a 1” CC tap. Order 3422AS-12A x 1CC. **Part Number:** 342212A100TD

NOTE: Other ranges, tap sizes available upon request.

3417AS STAINLESS SADDLE WITH STRAPS
(CAST ALL STAINLESS STEEL BODY)

“NEW”



BODY CASTING: Stainless Steel 18-8 ASTM A743.
STRAPS: Type 304 (18-8) Stainless Steel per ASTM A240.
STUD BOLTS: Type 304 (18-8) Stainless Steel per ASTM A193.
NUTS: Type 304 (18-8) Stainless Steel per ASTM A194. **NOTE:** Hex nuts are furnished with fusion bonded coating to prevent seizing and/or galling.
GASKETS: NBR per ASTM D2000; Patented TwinSeal® dual o-ring design incorporating both hydrostatic and mechanical forces to affect a dynamic seal, with a temperature range of -25°F to +248°F.

Nominal Pipe Size		Pipe OD Range		Letter code	Outlet Size	Part Number	List Price
Inches	MM	Inches	MM				
4	100	4.00 - 4.50	102 - 114	A	3/4 CC	341704A075HB-AS	\$ 219.50
					3/4 NPT	341704A075HC-AS	
					1 CC	341704A100HD-AS	
					1 NPT	341704A100HE-AS	
					1 1/4 CC	341704A125HF-AS	
					1 1/4 NPT	341704A125HG-AS	
					1 1/2 CC	341704A150HH-AS	
					1 1/2 NPT	341704A150HI-AS	
					2 CC	341704A200HJ-AS	
		2 NPT	341704A200HK-AS				
		4.74 - 5.63	120 - 143	B	3/4 CC	341704B075HB-AS	\$ 219.50
					3/4 NPT	341704B075HC-AS	
					1 CC	341704B100HD-AS	
					1 NPT	341704B100HE-AS	
					1 1/4 CC	341704C125HF-AS	
					1 1/4 NPT	341704C125HG-AS	
					1 1/2 CC	341704C150HH-AS	
					1 1/2 NPT	341704C150HI-AS	
2 CC	341704C200HJ-AS						
2 NPT	341704C200HK-AS						
6	150	6.00 - 6.63	152 - 168	A	3/4 CC	341706A075HB-AS	\$ 236.80
					3/4 NPT	341706A075HC-AS	
					1 CC	341706A100HD-AS	
					1 NPT	341706A100HE-AS	
					1 1/4 CC	341706A125HF-AS	
					1 1/4 NPT	341706A125HG-AS	
					1 1/2 CC	341706A150HH-AS	
					1 1/2 NPT	341706A150HI-AS	
					2 CC	341706A200HJ-AS	
		2 NPT	341706A200HK-AS				
		6.84 - 7.64	174 - 194	B	3/4 CC	341706B075HB-AS	\$ 236.80
					3/4 NPT	341706B075HC-AS	
					1 CC	341706B100HD-AS	
					1 NPT	341706B100HE-AS	
					1 1/4 CC	341706B125HF-AS	
					1 1/4 NPT	341706B125HG-AS	
					1 1/2 CC	341706B150HH-AS	
					1 1/2 NPT	341706B150HI-AS	
2 CC	341706B200HJ-AS						
2 NPT	341706B200HK-AS						

3417AS STAINLESS SADDLE WITH STRAPS

Nominal Pipe Size		Pipe OD Range		Letter code	Outlet Size	Part Number	List Price
Inches	MM	Inches	MM				
6	150	6.63 - 6.90	168 - 175	C	3/4 CC	341706C075HB-AS	\$ 236.80
					3/4 NPT	341706C075HC-AS	
					1 CC	341706C100HD-AS	
					1 NPT	341706C100HE-AS	
					1 1/4 CC	341706C125HF-AS	\$ 362.30
					1 1/4 NPT	341706C125HG-AS	
					1 1/2 CC	341706C150HH-AS	
					1 1/2 NPT	341706C150HI-AS	
					2 CC	341706C200HJ-AS	
2 NPT	341706C200HK-AS						
8	200	8.00 - 8.63	203 - 219	A	2 NPT	341708A075HB-AS	\$ 303.90
					3/4 NPT	341708A075HC-AS	
					1 CC	341708A100HD-AS	
					1 NPT	341708A100HE-AS	\$ 463.30
					1 1/4 CC	341708A125HF-AS	
		1 1/4 NPT	341708A125HG-AS				
		1 1/2 CC	341708A150HH-AS				
		1 1/2 NPT	341708A150HI-AS				
		2 CC	341708A200HJ-AS				
		2 NPT	341708A200HK-AS				
8	200	8.54 - 10.10	216 - 257	B	3/4 CC	341708B075HB-AS	\$ 303.90
					3/4 NPT	341708B075HC-AS	
					1 CC	341708B100HD-AS	
					1 NPT	341708B100HE-AS	\$ 463.30
					1 1/4 CC	341708B125HF-AS	
					1 1/4 NPT	341708B125HG-AS	
					1 1/2 CC	341708B150HH-AS	
					1 1/2 NPT	341708B150HI-AS	
					2 CC	341708B200HJ-AS	
2 NPT	341708B200HK-AS						
10	250	10.00 - 11.10	254 - 282	A	3/4 CC	341710A075HB-AS	\$ 335.30
					3/4 NPT	341710A075HC-AS	
					1 CC	341710A100HD-AS	
					1 NPT	341710A100HE-AS	\$ 493.50
					1 1/4 CC	341710A125HF-AS	
					1 1/4 NPT	341710A125HG-AS	
					1 1/2 CC	341710A150HH-AS	
					1 1/2 NPT	341710A150HI-AS	
					2 CC	341710A200HJ-AS	
2 NPT	341710A200HK-AS						

3417AS STAINLESS SADDLE WITH STRAPS

Nominal Pipe Size		Pipe OD Range		Letter code	Outlet Size	Part Number	List Price
Inches	MM	Inches	MM				
10	250	10.64 - 12.12	270 - 308	B	3/4 CC	341710B075HB-AS	\$ 335.30
					3/4 NPT	341710B075HC-AS	
					1 CC	341710B100HD-AS	
					1 NPT	341710B100HE-AS	
					1 1/4 CC	341710B125HF-AS	\$ 493.50
					1 1/4 NPT	341710B125HG-AS	
					1 1/2 CC	341710B150HH-AS	
					1 1/2 NPT	341710B150HI-AS	
					2 CC	341710B200HJ-AS	
					2 NPT	341710B200HK-AS	
12	300	12.00 - 13.20	305 - 335	A	3/4 CC	341712A075HB-AS	\$ 361.30
					3/4 NPT	341712A075HC-AS	
					1 CC	341712A100HD-AS	
					1 NPT	341712A100HE-AS	
					1 1/4 CC	341712A125HF-AS	\$ 532.00
					1 1/4 NPT	341712A125HG-AS	
					1 1/2 CC	341712A150HH-AS	
					1 1/2 NPT	341712A150HI-AS	
					2 CC	341712A200HJ-AS	
					2 NPT	341712A200HK-AS	
12	300	12.62 - 14.32	321 - 364	B	3/4 CC	341712B075HB-AS	\$ 361.30
					3/4 NPT	341712B075HC-AS	
					1 CC	341712B100HD-AS	
					1 NPT	341712B100HE-AS	
					1 1/4 CC	341712B125HF-AS	\$ 532.00
					1 1/4 NPT	341712B125HG-AS	
					1 1/2 CC	341712B150HH-AS	
					1 1/2 NPT	341712B150HI-AS	
					2 CC	341712B200HJ-AS	
					2 NPT	341712B200HK-AS	
12 - 14	300 - 350	14.73 - 15.65	374 - 398	A	3/4 CC	34171214075HB-AS	\$ 444.10
					3/4 NPT	34171214075HC-AS	
					1 CC	34171214100HD-AS	
					1 NPT	34171214100HE-AS	
					1 1/4 CC	34171214125HF-AS	\$ 468.40
					1 1/4 NPT	34171214125HG-AS	
					1 1/2 CC	34171214150HH-AS	
					1 1/2 NPT	34171214150HI-AS	
					2 CC	34171214200HJ-AS	
					2 NPT	34171214200HK-AS	

3417AS STAINLESS SADDLE WITH STRAPS

Nominal Pipe Size		Pipe OD Range		Letter code	Outlet Size	Part Number	List Price
Inches	MM	Inches	MM				
16 - 18	400 - 450	17.40 - 18.88	442 - 480	A	3/4 CC	341716A075HB-AS	\$ 610.30
					3/4 NPT	341716A075HC-AS	
					1 CC	341716A100HD-AS	
					1 NPT	341716A100HE-AS	
					1 1/4 CC	341716A125HF-AS	\$ 631.60
					1 1/4 NPT	341716A125HG-AS	
					1 1/2 CC	341716A150HH-AS	
					1 1/2 NPT	341716A150HI-AS	
					2 CC	341716A200HJ-AS	
					2 NPT	341716A200HK-AS	
18	450	19.50	495	A	3/4 CC	341718A075HB-AS	\$ 641.30
					3/4 NPT	341718A075HC-AS	
					1 CC	341718A100HD-AS	
					1 NPT	341718A100HE-AS	
					1 1/4 CC	341718A125HF-AS	\$ 652.40
					1 1/4 NPT	341718A125HG-AS	
					1 1/2 CC	341718A150HH-AS	
					1 1/2 NPT	341718A150HI-AS	
					2 CC	341718A200HJ-AS	
					2 NPT	341718A200HK-AS	
20	500	21.60	549	A	3/4 CC	341720A075HB-AS	\$ 647.40
					3/4 NPT	341720A075HC-AS	
					1 CC	341720A100HD-AS	
					1 NPT	341720A100HE-AS	
					1 1/4 CC	341720A125HF-AS	\$ 671.60
					1 1/4 NPT	341720A125HG-AS	
					1 1/2 CC	341720A150HH-AS	
					1 1/2 NPT	341720A150HI-AS	
					2 CC	341720A200HJ-AS	
					2 NPT	341720A200HK-AS	
24	600	25.80	655	A	3/4 CC	341724A075HB-AS	\$ 678.90
					3/4 NPT	341724A075HC-AS	
					1 CC	341724A100HD-AS	
					1 NPT	341724A100HE-AS	
					1 1/4 CC	341724A125HF-AS	\$ 703.20
					1 1/4 NPT	341724A125HG-AS	
					1 1/2 CC	341724A150HH-AS	
					1 1/2 NPT	341724A150HI-AS	
					2 CC	341724A200HJ-AS	
					2 NPT	341724A200HK-AS	

HOW TO ORDER: Choose nominal pipe size x outlet size and thread configuration. EXAMPLE: 4" Ductile Iron O.D. 4.80 with 3/4 CC outlet. Order 3417AS - 4B x 3/4 CC. **Part Number:** 341704B075HB-AS – To order with a single wide strap add SW to the end of the part number. For example: 341704B075HB-ASSW.

NOTE: Please advise when saddles are being ordered for use on C900 pipe.

Manufacturer Suggestion: For PVC pipe applications, order saddle which has OD of pipe at the top of the range.

3411DI DUCTILE IRON SADDLE WITH BALE

BODY CASTING: Ductile Iron per ASTM A536.

BALE: Carbon Steel per AISI 1080, with electro-galvanized di-chromate finish for added corrosion resistance.

NUTS: Carbon Steel per ASTM A563, with electrogalvanized di-chromate finish for added corrosion resistance.

GASKET: NBR per ASTM D2000 with unique dual O-Ring design permanently bonded in recessed casting, with a temperature range of -25°F to +248°F.

FINISH: Epoxy.



Nominal Pipe Size		Pipe OD Range		Outlet Size	Part Number	List Price	
Inches	MM	Inches	MM				
1	25	1.31 - 1.39	33 - 35	1/2 NPT	3411010005HO-DI	\$ 26.70	
				3/4 CC	3411010075HB-DI		
				3/4 NPT	3411010075HC-DI		
				1 CC	3411010100HD-DI		
				1 NPT	3411010100HE-DI		
1 1/4 - 1 1/2	32	1.61 - 1.92	41 - 49	1/2 NPT	3411015005HO-DI	\$ 27.40	
				3/4 CC	3411015075HB-DI		
				3/4 NPT	3411015075HC-DI		
				1 CC	3411015100HD-DI		
				1 NPT	3411015100HE-DI		
2A	50	2.38	61	1/2 NPT	341102A005HO-DI	\$ 31.70	
				3/4 CC	341102A075HB-DI		
				3/4 NPT	341102A075HC-DI		
				1 CC	341102A100HD-DI		
				1 NPT	341102A100HE-DI		
2B	50	2.35 - 2.56	60 - 65	1/2 NPT	341102B005HO-DI	\$ 29.50	
				3/4 CC	341102B075HB-DI		
				3/4 NPT	341102B075HC-DI		
				1 CC	341102B100HD-DI		
				1 NPT	341102B100HE-DI	\$ 39.40	
				1 1/4 CC	341102B125HF-DI		
				1 1/4 NPT	341102B125HG-DI		
2 1/4 - 2 1/2	55 - 65	2.44 - 2.91	62 - 74	1 1/2 NPT	341102B150HI-DI	\$ 31.00	
				1/2 NPT	3411025005HO-DI		
				3/4 CC	3411025075HB-DI		
				3/4 NPT	3411025075HC-DI		
				1 CC	3411025100HD-DI		
				1 NPT	3411025100HE-DI		
				1 1/4 CC	3411025125HF-DI		\$ 40.30
				1 1/4 NPT	3411025125HG-DI		
				1 1/2 CC	3411025150HH-DI		
				1 1/2 NPT	3411025150HI-DI		

3411DI DUCTILE IRON SADDLE WITH BALE

Nominal Pipe Size		Pipe OD Range		Outlet Size	Part Number	List Price
Inches	MM	Inches	MM			
3	80	2.97 - 3.54	75 - 90	1/2 NPT	3411030005HO-DI	\$ 33.00
				3/4 CC	3411030075HB-DI	
				3/4 NPT	3411030075HC-DI	
				1 CC	3411030100HD-DI	
				1 NPT	3411030100HE-DI	
				1 1/4 CC	3411030125HF-DI	\$ 43.00
				1 1/4 NPT	3411030125HG-DI	
				1 1/2 CC	3411030125HH-DI	
				1 1/2 NPT	3411030125HI-DI	
3 - 4	80 - 100	3.74 - 4.55	95 - 116	1/2 NPT	3411034005HO-DI	\$ 36.00
				3/4 CC	3411034075HB-DI	
				3/4 NPT	3411034075HC-DI	
				1 CC	3411034100HD-DI	
				1 NPT	3411034100HE-DI	
				1 1/4 CC	3411034125HF-DI	\$ 48.50
				1 1/4 NPT	3411034125HG-DI	
				1 1/2 CC	3411034150HH-DI	
				1 1/2 NPT	3411034150HI-DI	
				2 CC	3411034200HJ-DI	
2 NPT	3411034200HK-DI					
4 - 5	100 - 125	4.74 - 5.63	120 - 143	1/2 NPT	3411040005HO-DI	\$ 39.00
				3/4 CC	3411040075HB-DI	
				3/4 NPT	3411040075HC-DI	
				1 CC	3411040100HD-DI	
				1 NPT	3411040100HE-DI	
				1 1/4 CC	3411040125HF-DI	\$ 53.20
				1 1/4 NPT	3411040125HG-DI	
				1 1/2 CC	3411040150HH-DI	
				1 1/2 NPT	3411040150HI-DI	
				2 CC	3411040200HJ-DI	
2 NPT	3411040200HK-DI					
5 - 6	125 - 150	5.94 - 6.70	151 - 170	1/2 NPT	3411050005HO-DI	\$ 42.40
				3/4 CC	3411050075HB-DI	
				3/4 NPT	3411050075HC-DI	
				1 CC	3411050100HD-DI	
				1 NPT	3411050100HE-DI	
				1 1/4 CC	3411050125HF-DI	\$ 59.00
				1 1/4 NPT	3411050125HG-DI	
				1 1/2 CC	3411050150HH-DI	
				1 1/2 NPT	3411050150HI-DI	
				2 CC	3411050200HJ-DI	
2 NPT	3411050200HK-DI					

3411DI DUCTILE IRON SADDLE WITH BALE

Nominal Pipe Size		Pipe OD Range		Outlet Size	Part Number	List Price
Inches	MM	Inches	MM			
6	150	6.84-7.60	174 - 193	1/2 NPT	341106B005HO-DI	\$ 45.30
				3/4 CC	341106B075HB-DI	
				3/4 NPT	341106B075HC-DI	
				1 CC	341106B100HD-DI	
				1 NPT	341106B100HE-DI	\$ 63.80
				1 1/4 CC	341106B125HF-DI	
				1 1/4 NPT	341106B125HG-DI	
				1 1/2 CC	341106B150HH-DI	
				1 1/2 NPT	341106B150HI-DI	
				2 CC	341106B200HJ-DI	
2 NPT	341106B200HK-DI	\$ 51.30				
6 - 8	150 - 200		7.69 - 8.72	195 - 222	1/2 NPT	3411068005HO-DI
					3/4 CC	3411068075HB-DI
					3/4 NPT	3411068075HC-DI
					1 CC	3411068100HD-DI
					1 NPT	3411068100HE-DI
					1 1/4 CC	3411068125HF-DI
					1 1/4 NPT	3411068125HG-DI
					1 1/2 CC	3411068150HH-DI
					1 1/2 NPT	3411068150HI-DI
		2 CC			3411068200HJ-DI	
2 NPT	3411068200HK-DI	\$ 52.40				
8 - 10	200 - 250		8.54 - 10.10	217 - 257	1/2 NPT	3411080005HO-DI
					3/4 CC	3411080075HB-DI
					3/4 NPT	3411080075HC-DI
					1 CC	3411080100HD-DI
					1 NPT	3411080100HE-DI
					1 1/4 CC	3411080125HF-DI
					1 1/4 NPT	3411080125HG-DI
					1 1/2 CC	3411080150HH-DI
					1 1/2 NPT	3411080150HI-DI
		2 CC			3411030125HJ-DI	
2 NPT	3411030125HK-DI	\$ 63.40				
10 - 12	250 - 300		10.64 - 12.12	270 - 308	1/2 NPT	3411100005HO-DI
					3/4 CC	3411100075HB-DI
					3/4 NPT	3411100075HC-DI
					1 CC	3411100100HD-DI
					1 NPT	3411100100HE-DI
					1 1/4 CC	3411100125HF-DI
					1 1/4 NPT	3411100125HG-DI
					1 1/2 CC	3411100150HH-DI
					1 1/2 NPT	3411100150HI-DI
		2 CC			3411100200HJ-DI	
2 NPT	3411100200HK-DI	\$ 97.30				

3411DI DUCTILE IRON SADDLE WITH BALE

Nominal Pipe Size		Pipe OD Range		Outlet Size	Part Number	List Price
Inches	MM	Inches	MM			
12 - 14	300 - 350	12.62 - 14.32	321 - 364	1/2 NPT	3411120005HO-DI	\$ 68.10
				3/4 CC	3411120075HB-DI	
				3/4 NPT	3411120075HC-DI	
				1 CC	3411120100HD-DI	
				1 NPT	3411120100HE-DI	
				1 1/4 CC	3411120125HF-DI	\$ 99.10
				1 1/4 NPT	3411120125HG-DI	
				1 1/2 CC	3411120150HH-DI	
				1 1/2 NPT	3411120150HI-DI	
				2 CC	3411120200HJ-DI	
				2 NPT	3411120200HK-DI	

HOW TO ORDER: Choose nominal pipe size x outlet size and thread configuration. **EXAMPLE:** 4" Ductile Iron O.D. 4.80 with 3/4 CC outlet. Order 3411DI 4-5 x 3/4 CC Single Bale. **Part Number:** 3411040075HB-DI

NOTE: Please advise when saddles are being ordered for use on C900 pipe.

Manufacturer Suggestion: This saddle is not recommended for use on PVC pipe.



COATING OPTION: Anti-Seizing/Galling protection. Available for both Alloy and SST application. Inquire with sales for cost and availability.

3413DI DUCTILE IRON SADDLE WITH BALES

BODY CASTING: Ductile Iron per ASTM A536.

BALES: Carbon Steel per AISI 1080, with electro-galvanized di-chromate finish for added corrosion resistance.

NUTS: Carbon Steel per ASTM A563, with electro-galvanized di-chromate finish for added corrosion resistance.

GASKET: NBR per ASTM D2000 with Unique dual O-Ring design permanently bonded in recessed casting, with a temperature range of -25°F to +248°F.

FINISH: Epoxy.



Nominal Pipe Size		Pipe OD Range		Letter Code	Outlet Size	Part Number	List Price	
Inches	MM	Inches	MM					
2	50	2.38 - 2.50	61 - 64	A	1/2 NPT	341302A005HO-D	\$ 40.30	
					3/4 CC	341302A075HB-D		
					3/4 NPT	341302A075HC-D		
					1 CC	341302A100HD-D		
					1 NPT	341302A100HE-D		
					1 1/4 CC	341302A125HF-D		\$ 42.30
					1 1/4 NPT	341302A125HG-D		
3	80	3.50	89	A	1 1/2 NPT	341302A150HI-D	\$ 48.00	
					1/2 NPT	341303A005HO-D		
					3/4 CC	341303A075HB-D		
					3/4 NPT	341303A075HC-D		
					1 CC	341303A100HD-D		
					1 NPT	341303A100HE-D		
					1 1/4 CC	341303A125HF-D		\$ 62.20
		1 1/4 NPT	341303A125HG-D					
		1 1/2 CC	341303A150HH-D	\$ 51.00				
		1 1/2 NPT	341303A150HI-D					
		2 NPT	341303A200HK-D					
		1/2 NPT	341303B005HO-D					
		3/4 CC	341303B075HB-D					
		3/4 NPT	341303B075HC-D					
1 CC	341303B100HD-D							
1 NPT	341303B100HE-D	\$ 65.20						
1 1/4 CC	341303B125HF-D							
1 1/4 NPT	341303B125HG-D							
1 1/2 CC	341303B150HH-D							
1 1/2 NPT	341303B150HI-D							
2 NPT	341303B200HK-D							

3413DI DUCTILE IRON SADDLE WITH BALES

Nominal Pipe Size		Pipe OD Range		Letter Code	Outlet Size	Part Number	List Price
Inches	MM	Inches	MM				
4	100	4.00 - 4.50	102 - 114	A	1/2 NPT	341304A005HO-D	\$ 52.40
					3/4 CC	341304A075HB-D	
					3/4 NPT	341304A075HC-D	
					1 CC	341304A100HD-D	
					1 NPT	341304A100HE-D	
		1 1/4 CC	341304A125HF-D		\$ 67.80		
		1 1/4 NPT	341304A125HG-D				
		1 1/2 CC	341304A150HH-D				
		1 1/2 NPT	341304A150HI-D				
		2 CC	341304A200HJ-D				
4	100	4.74 - 5.63	120 - 143	B	1/2 NPT	341304B005HO-D	\$ 56.60
					3/4 CC	341304B075HB-D	
					3/4 NPT	341304B075HC-D	
					1 CC	341304B100HD-D	
					1 NPT	341304B100HE-D	
		4.74 - 5.14	120 - 131	C	1 1/4 CC	341304C125HF-D	\$ 73.20
					1 1/4 NPT	341304C125HG-D	
					1 1/2 CC	341304C150HH-D	
					1 1/2 NPT	341304C150HI-D	
					2 CC	341304C200HJ-D	
6	150	6.00 - 6.63	152 - 168	A	1/2 NPT	341306A005HO-D	\$ 59.30
					3/4 CC	341306A075HB-D	
					3/4 NPT	341306A075HC-D	
					1 CC	341306A100HD-D	
					1 NPT	341306A100HE-D	
					1 1/4 CC	341306A125HF-D	\$ 75.90
					1 1/4 NPT	341306A125HG-D	
					1 1/2 CC	341306A150HH-D	
					1 1/2 NPT	341306A150HI-D	
					2 CC	341306A200HJ-D	
2 NPT	341306A200HK-D						

3413DI DUCTILE IRON SADDLE WITH BALES

Nominal Pipe Size		Pipe OD Range		Letter Code	Outlet Size	Part Number	List Price	
Inches	MM	Inches	MM					
6	150	6.84 - 7.64	174 - 194	B	1/2 NPT	341306B005HO-D	\$ 69.70	
					3/4 CC	341306B075HB-D		
					3/4 NPT	341306B075HC-D		
					1 CC	341306B100HD-D		
					1 NPT	341306B100HE-D		
					1 1/4 CC	341306B125HF-D		\$ 85.90
					1 1/4 NPT	341306B125HG-D		
					1 1/2 CC	341306B150HH-D		
					1 1/2 NPT	341306B150HI-D		
		2 CC	341306B200HJ-D					
		2 NPT	341306B200HK-D					
		6.63 - 6.90	168 - 175	C	1/2 NPT	341306C005HO-D	\$ 79.30	
					3/4 CC	341306C075HB-D		
					3/4 NPT	341306C075HC-D		
					1 CC	341306C100HD-D		
					1 NPT	341306C100HE-D		
					1 1/4 CC	341306C125HF-D		\$ 95.30
					1 1/4 NPT	341306C125HG-D		
1 1/2 CC	341306C150HH-D							
1 1/2 NPT	341306C150HI-D							
2 CC	341306C200HJ-D							
2 NPT	341306C200HK-D							
8	200	8.00 - 8.63	203 - 219	A	1/2 NPT	341308A005HO-D	\$ 71.70	
					3/4 CC	341308A075HB-D		
					3/4 NPT	341308A075HC-D		
					1 CC	341308A100HD-D		
					1 NPT	341308A100HE-D		
					1 1/4 CC	341308A125HF-D		\$ 91.90
					1 1/4 NPT	341308A125HG-D		
					1 1/2 CC	341308A150HH-D		
					1 1/2 NPT	341308A150HI-D		
		2 CC	341308A200HJ-D					
		2 NPT	341308A200HK-D					
		8.54 - 10.10	216 - 257	B	1/2 NPT	341308B005HO-D	\$ 76.00	
					3/4 CC	341308B075HB-D		
					3/4 NPT	341308B075HC-D		
					1 CC	341308B100HD-D		
					1 NPT	341308B100HE-D		
					1 1/4 CC	341308B125HF-D		\$ 94.90
					1 1/4 NPT	341308B125HG-D		
1 1/2 CC	341308B150HH-D							
1 1/2 NPT	341308B150HI-D							
2 CC	341308B200HJ-D							
2 NPT	341308B200HK-D							

3413DI DUCTILE IRON SADDLE WITH BALES

Nominal Pipe Size		Pipe OD Range		Letter Code	Outlet Size	Part Number	List Price
Inches	MM	Inches	MM				
8	200	8.63 - 9.05	219 - 229	C	1/2 NPT	341308C005HO-D	\$80.00
					3/4 CC	341308C075HB-D	
					3/4 NPT	341308C075HC-D	
					1 CC	341308C100HD-D	
					1 NPT	341308C100HE-D	
					1 1/4 CC	341308C125HF-D	\$97.90
					1 1/4 NPT	341308C125HG-D	
					1 1/2 CC	341308C150HH-D	
					1 1/2 NPT	341308C150HI-D	
					2 CC	341308C200HJ-D	
2 NPT	341308C200HK-D						
10	250	10.00 - 11.10	254 - 282	A	1/2 NPT	341310A005HO-D	\$ 98.30
					3/4 CC	341310A075HB-D	
					3/4 NPT	341310A075HC-D	
					1 CC	341310A100HD-D	
					1 NPT	341310A100HE-D	
					1 1/4 CC	341310A125HF-D	\$ 125.20
					1 1/4 NPT	341310A125HG-D	
					1 1/2 CC	341310A150HH-D	
					1 1/2 NPT	341310A150HI-D	
					2 CC	341310A200HJ-D	
2 NPT	341310A200HK-D						
10	250	10.64 - 12.12	270 - 308	B	1/2 NPT	341310B005HO-D	\$ 98.30
					3/4 CC	341310B075HB-D	
					3/4 NPT	341310B075HC-D	
					1 CC	341310B100HD-D	
					1 NPT	341310B100HE-D	
					1 1/4 CC	341310B125HF-D	\$ 125.20
					1 1/4 NPT	341310B125HG-D	
					1 1/2 CC	341310B150HH-D	
					1 1/2 NPT	341310B150HI-D	
					2 CC	341310B200HJ-D	
2 NPT	341310B200HK-D						
12	300	12.00 - 13.20	305 - 335	A	1/2 NPT	341312A005HO-D	\$ 120.00
					3/4 CC	341312A075HB-D	
					3/4 NPT	341312A075HC-D	
					1 CC	341312A100HD-D	
					1 NPT	341312A100HE-D	
					1 1/4 CC	341312A125HF-D	\$ 150.00
					1 1/4 NPT	341312A125HG-D	
					1 1/2 CC	341312A150HH-D	
					1 1/2 NPT	341312A150HI-D	
					2 CC	341312A200HJ-D	
2 NPT	341312A200HK-D						

3413DI DUCTILE IRON SADDLE WITH BALES

Nominal Pipe Size		Pipe OD Range		Letter Code	Outlet Size	Part Number	List Price
Inches	MM	Inches	MM				
12	300	12.62 - 14.32	321 - 364	B	1/2 NPT	341312B005HO-D	\$ 120.00
					3/4 CC	341312B075HB-D	
					3/4 NPT	341312B075HC-D	
					1 CC	341312B100HD-D	
					1 NPT	341312B100HE-D	
					1 1/4 CC	341312B125HF-D	\$ 150.00
					1 1/4 NPT	341312B125HG-D	
					1 1/2 CC	341312B150HH-D	
					1 1/2 NPT	341312B150HI-D	
					2 CC	341312B200HJ-D	
					2 NPT	341312B200HK-D	
12 - 14	300 - 350	14.73 - 15.65	374 - 398	A	1/2 NPT	34131214005HO-D	\$ 169.60
					3/4 CC	34131214075HB-D	
					3/4 NPT	34131214075HC-D	
					1 CC	34131214100HD-D	
					1 NPT	34131214100HE-D	
					1 1/4 CC	34131214125HF-D	\$ 218.10
					1 1/4 NPT	34131214125HG-D	
					1 1/2 CC	34131214150HH-D	
					1 1/2 NPT	34131214150HI-D	
					2 CC	34131214200HJ-D	
					2 NPT	34131214200HK-D	
16 - 18	400 - 450	17.40 - 18.88	442 - 480	A	1/2 NPT	341316A005HO-D	\$ 189.60
					3/4 CC	341316A075HB-D	
					3/4 NPT	341316A075HC-D	
					1 CC	341316A100HD-D	
					1 NPT	341316A100HE-D	
					1 1/4 CC	341316A125HF-D	\$ 272.40
					1 1/4 NPT	341316A125HG-D	
					1 1/2 CC	341316A150HH-D	
					1 1/2 NPT	341316A150HI-D	
					2 CC	341316A200HJ-D	
					2 NPT	341316A200HK-D	
18	450	19.50	495	A	1/2 NPT	341318A005HO-D	\$ 222.20
					3/4 CC	341318A075HB-D	
					3/4 NPT	341318A075HC-D	
					1 CC	341318A100HD-D	
					1 NPT	341318A100HE-D	
					1 1/4 CC	341318A125HF-D	\$ 294.90
					1 1/4 NPT	341318A125HG-D	
					1 1/2 CC	341318A150HH-D	
					1 1/2 NPT	341318A150HI-D	
					2 CC	341318A200HJ-D	
					2 NPT	341318A200HK-D	

3413DI DUCTILE IRON SADDLE WITH BALES

Nominal Pipe Size		Pipe OD Range		Letter Code	Outlet Size	Part Number	List Price
Inches	MM	Inches	MM				
20	500	21.60	549	A	1/2 NPT	341320A005HO-D	\$ 287.30
					3/4 CC	341320A075HB-D	
					3/4 NPT	341320A075HC-D	
					1 CC	341320A100HD-D	
					1 NPT	341320A100HE-D	
					1 1/4 CC	341320A125HF-D	\$ 329.50
					1 1/4 NPT	341320A125HG-D	
					1 1/2 CC	341320A150HH-D	
					1 1/2 NPT	341320A150HI-D	
					2 CC	341320A200HJ-D	
24	600	25.80	655	A	1/2 NPT	341324A005HO-D	\$ 302.60
					3/4 CC	341324A075HB-D	
					3/4 NPT	341324A075HC-D	
					1 CC	341324A100HD-D	
					1 NPT	341324A100HE-D	
					1 1/4 CC	341324A125HF-D	\$ 362.50
					1 1/4 NPT	341324A125HG-D	
					1 1/2 CC	341324A150HH-D	
					1 1/2 NPT	341324A150HI-D	
					2 CC	341324A200HJ-D	
					2 NPT	341324A200HK-D	

HOW TO ORDER: Choose nominal pipe size x outlet size and thread configuration. **EXAMPLE:** 4" Ductile Iron O.D. 4.80 with 3/4CC outlet. Order 3413DI - 4B x 3/4 CC Double Bale. **Part Number:** 341304B075HB-D

NOTE: Please advise when saddles are being ordered for use on C900 pipe.

Manufacturer Suggestion: This saddle is not recommended for use on PVC pipe.



COATING OPTION: Anti-Seizing/Galling protection. Available for both Alloy and SST application. Inquire with sales for cost and availability

3415DI DUCTILE IRON SADDLE SINGLE STRAP

BODY CASTING: Ductile Iron per ASTM A536.

STRAP: Type 304 (18-8) Stainless Steel per ASTM A240.

STUD BOLTS: Type 304 (18-8) Stainless Steel per ASTM A193.

NUTS: Type 304 (18-8) Stainless Steel per ASTM A194. **NOTE:** Hex nuts are furnished with fusion bonded coating to prevent seizing and/or galling.

GASKET: NBR per ASTM D2000 with Unique dual O-Ring design permanently bonded in recessed casting, with a temperature range of V-25°F to +248°F.

FINISH: Epoxy.



Nominal Pipe Size		Pipe OD Range		outlet size	Part Number	List Price
Inches	MM	Inches	MM			
1	25	1.31 - 1.39	33 - 35	1/2 NPT	3415010005HO	\$ 65.80
				3/4 CC	3415010075HB	
				3/4 NPT	3415010075HC	
				1 CC	3415010100HD	
				1 NPT	3415010100HE	
1 1/4 - 1 1/2	32	1.61 - 1.92	41 - 49	1/2 NPT	3415015005HO	\$ 66.30
				3/4 CC	3415015075HB	
				3/4 NPT	3415015075HC	
				1 CC	3415015100HD	
				1 NPT	3415015100HE	
2A	50	2.13	54	1/2 NPT	341502A005HO	\$ 67.90
				3/4 CC	341502A075HB	
				3/4 NPT	341502A075HC	
				1 CC	341502A100HD	
				1 NPT	341502A100HE	
2B	50	2.38	61	1/2 NPT	341502B005HO	\$ 67.90
				3/4 CC	341502B075HB	
				3/4 NPT	341502B075HC	
				1 CC	341502B100HD	
				1 NPT	341502B100HE	
2C	50	2.35 - 2.56	60 - 65	1/2 NPT	341502C005HO	\$ 67.90
				3/4 CC	341502C075HB	
				3/4 NPT	341502C075HC	
				1 CC	341502C100HD	
				1 NPT	341502C100HE	
				1 1/4 CC	341502C125HF	\$ 79.60
				1 1/4 NPT	341502C125HG	
1 1/2 NPT	341502C150HH					
2 1/4 - 2 1/2	55 - 65	2.44 - 2.91	62 - 74	1/2 NPT	3415025005HO	\$ 69.30
				3/4 CC	3415025075HB	
				3/4 NPT	3415025075HC	
				1 CC	3415025100HD	
				1 NPT	3415025100HE	
				1 1/4 CC	3415025125HF	\$ 81.70
				1 1/4 NPT	3415025125HG	
				1 1/2 NPT	3415025150HI	

3415DI DUCTILE IRON SADDLE SINGLE STRAP

Nominal Pipe Size		Pipe OD Range		outlet size	Part Number	List Price
Inches	MM	Inches	MM			
3	80	2.97 - 3.54	75 - 90	1/2 NPT	3415030005HO	\$ 70.60
				3/4 CC	3415030075HB	
				3/4 NPT	3415030075HC	
				1 CC	3415030100HD	
				1 NPT	3415030100HE	\$ 83.00
				1 1/4 CC	3415030125HF	
				1 1/4 NPT	3415030125HG	
				1 1/2 CC	3415030150HH	
3 - 4	80 - 100	3.74 - 4.55	95 - 116	1 1/2 NPT	3415030150HI	\$ 67.00
				1/2 NPT	3415034005HO	
				3/4 CC	3415034075HB	
				3/4 NPT	3415034075HC	
				1 CC	3415034100HD	\$ 84.30
				1 NPT	3415034100HE	
				1 1/4 CC	3415034125HF	
				1 1/4 NPT	3415034125HG	
4-5	100-125	4.74 - 5.63	120 - 143	1 1/2 CC	3415034150HH	\$ 68.60
				1 1/2 NPT	3415034150HI	
				3/4 CC	3415040075HB	
				3/4 NPT	3415040075HC	
				1 CC	3415040100HD	\$ 85.60
				1 NPT	3415040100HE	
				1 1/4 CC	3415040125HF	
				1 1/4 NPT	3415040125HG	
5 - 6	125 - 150	5.94 - 6.70	151 - 170	1 1/2 NPT	3415040150HI	\$ 78.50
				2 NPT	3415040200HK	
				1/2 NPT	3415056005HO	
				3/4 CC	3415056075HB	
				3/4 NPT	3415056075HC	\$ 92.20
				1 CC	3415056100HD	
				1 NPT	3415056100HE	
				1 1/4 CC	3415056125HF	
				1 1/4 NPT	3415056125HG	
				1 1/2 CC	3415056150HH	
1 1/2 NPT	3415056150HI					
2 CC	3415056200HJ					
2 NPT	3415056200HK					

3415DI DUCTILE IRON SADDLE SINGLE STRAP

Nominal Pipe Size		Pipe OD Range		outlet size	Part Number	List Price
Inches	MM	Inches	MM			
6	150	6.84 - 7.60	174 - 193	1/2 NPT	3415060005HO	\$ 79.70
				3/4 CC	3415060075HB	
				3/4 NPT	3415060075HC	
				1 CC	3415060100HD	
				1 NPT	3415060100HE	
				1 1/4 CC	3415060125HF	\$ 93.40
				1 1/4 NPT	3415060125HG	
				1 1/2 CC	3415060150HH	
				1 1/2 NPT	3415060150HI	
				2 CC	3415060200HJ	
				2 NPT	3415060200HK	
6C	150	6.63 - 6.90	168 - 175	1/2 NPT	341506C005HO	\$ 79.70
				3/4 CC	341506C075HB	
				3/4 NPT	341506C075HC	
				1 CC	341506C100HD	
				1 NPT	341506C100HE	
				1 1/4 CC	341506C125HF	\$ 93.40
				1 1/4 NPT	341506C125HG	
				1 1/2 CC	341506C150HH	
				1 1/2 NPT	341506C150HI	
				2 CC	341506C200HJ	
				2 NPT	341506C200HK	
6 - 8	150 - 200	7.69 - 8.72	195 - 222	1/2 NPT	3415068005HO	\$ 93.10
				3/4 CC	3415068075HB	
				3/4 NPT	3415068075HC	
				1 CC	3415068100HD	
				1 NPT	3415068100HE	
				1 1/4 CC	3415068125HF	\$ 111.20
				1 1/4 NPT	3415068125HG	
				1 1/2 CC	3415068150HH	
				1 1/2 NPT	3415068150HI	
				2 CC	3415068200HJ	
				2 NPT	3415068200HK	
8A	200	8.63 - 9.05	219 - 229	1/2 NPT	341508A005HO	\$ 94.20
				3/4 CC	341508A075HB	
				3/4 NPT	341508A075HC	
				1 CC	341508A100HD	
				1 NPT	341508A100HE	
				1 1/4 CC	341508A125HF	\$ 112.10
				1 1/4 NPT	341508A125HG	
				1 1/2 CC	341508A150HH	
				1 1/2 NPT	341508A150HI	
				2 CC	341508A200HJ	
				2 NPT	341508A200HK	

3415DI DUCTILE IRON SADDLE SINGLE STRAP

Nominal Pipe Size		Pipe OD Range		outlet size	Part Number	List Price	
Inches	MM	Inches	MM				
8 - 10	200 - 250	8.54 - 10.10	217 - 257	1/2 NPT	3415080005HO	\$ 94.70	
				3/4 CC	3415080075HB		
				3/4 NPT	3415080075HC		
				1 CC	3415080100HD		
				1 NPT	3415080100HE		
				1 1/4 CC	3415080125HF	\$ 112.50	
				1 1/4 NPT	3415080125HG		
				1 1/2 CC	3415080150HH		
				1 1/2 NPT	3415080150HI		
				2 CC	3415080200HJ		
10 - 12	250 - 300	10.64 - 12.12	270 - 308	2 NPT	3415080200HK	\$ 103.40	
				1/2 NPT	3415100005HO		
				3/4 CC	3415100075HB		
				3/4 NPT	3415100075HC		
				1 CC	3415100100HD		
				1 NPT	3415100100HE		
				1 1/4 CC	3415100125HF		\$ 126.30
				1 1/4 NPT	3415100125HG		
				1 1/2 CC	3415100150HH		
				1 1/2 NPT	3415100150HI		
2 CC	3415100200HJ						
12 - 14	300 - 350	12.62 - 14.32	321 - 364	2 NPT	3415100200HK	\$ 119.60	
				1/2 NPT	3415120005HO		
				3/4 CC	3415120075HB		
				3/4 NPT	3415120075HC		
				1 CC	3415120100HD		
				1 NPT	3415120100HE		
				1 1/4 CC	3415120125HF		\$ 146.90
				1 1/4 NPT	3415120125HG		
				1 1/2 CC	3415120150HH		
				1 1/2 NPT	3415120150HI		
2 CC	3415120200HJ						
				2 NPT	3415120200HK		

HOW TO ORDER: Choose nominal pipe size x outlet size and thread configuration. **EXAMPLE:** 4" Ductile Iron O.D. 4.80 with 3/4 CC outlet. Order 3415 4-5 x 3/4 CC. **Part Number:** 3415040075HB .

NOTE: Please advise when saddles are being ordered for use on C900 pipe.

Manufacturer Suggestion: For PVC pipe applications, order saddle which has OD of pipe at the top of the range.



COATING OPTION: Anti-Seizing/Galling protection. Available for both Alloy and SST application.

Inquire with sales for cost and availability

3417DI DUCTILE IRON SADDLE WITH STRAPS

BODY CASTING: Ductile Iron per ASTM A536.

STRAPS: Type 304 (18-8) Stainless Steel per ASTM A240.

STUD BOLTS: Type 304 (18-8) Stainless Steel per ASTM A193.

NUTS: Type 304 (18-8) Stainless Steel per ASTM A194. **NOTE:** Hex nuts are furnished with fusion bonded coating to prevent seizing and/or galling.

GASKET: NBR per ASTM D2000 with Unique dual O-Ring design permanently bonded in recessed casting, with a temperature range of -25°F to +248°F.

FINISH: Epoxy.



Nominal Pipe Size		Pipe OD Range		Letter code	Outlet Size	Part Number	List Price
Inches	MM	Inches	MM				
2	50	2.38 - 2.50	61 - 64	A	1/2 NPT	341702A005HO	\$ 120.60
					3/4 CC	341702A075HB	
					3/4 NPT	341702A075HC	
					1 CC	341702A100HD	
					1 NPT	341702A100HE	
					1 1/4 CC	341702A125HF	
					1 1/4 NPT	341702A125HG	
3	80	3.50	89	A	1/2 NPT	341703A005HO	\$ 122.10
					3/4 CC	341703A075HB	
					3/4 NPT	341703A075HC	
					1 CC	341703A100HD	
					1 NPT	341703A100HE	
					1 1/4 CC	341703A125HF	
					1 1/4 NPT	341703A125HG	
		1 1/2 CC	341703A150HH	\$ 131.80			
		1 1/2 NPT	341703A150HI				
		1/2 NPT	341703B005HO		\$ 115.90		
3/4 CC	341703B075HB						
3/4 NPT	341703B075HC						
1 CC	341703B100HD						
1 NPT	341703B100HE						
1 1/4 CC	341703B125HF						
1 1/4 NPT	341703B125HG	\$ 137.10					
1 1/2 CC	341703B150HH						
1 1/2 NPT	341703B150HI						

3417DI DUCTILE IRON SADDLE WITH STRAPS

Nominal Pipe Size		Pipe OD Range		Letter code	Outlet Size	Part Number	List Price				
Inches	MM	Inches	MM								
4	100	4.00 - 4.50	102 - 114	A	1/2 NPT	341704A005HO	\$ 115.90				
					3/4 CC	341704A075HB					
					3/4 NPT	341704A075HC					
					1 CC	341704A100HD					
					1 NPT	341704A100HE					
					1 1/4 CC	341704A125HF					
		1 1/4 NPT	341704A125HG	\$ 137.00							
		1 1/2 CC	341704A150HH								
		1 1/2 NPT	341704A150HI								
		2 CC	341704A200HJ								
		2 NPT	341704A200HK								
4	100	4.74 - 5.63	120 - 143	B	1/2 NPT	341704B005HO	\$ 115.90				
					3/4 CC	341704B075HB					
					3/4 NPT	341704B075HC					
					1 CC	341704B100HD					
				4.74 - 5.14	120 - 131	C	1 NPT	341704B100HE	\$ 139.50		
							1 1/4 CC	341704C125HF			
							1 1/4 NPT	341704C125HG			
							1 1/2 CC	341704C150HH			
				1 1/2 NPT	341704C150HI						
				2 CC	341704C200HJ						
				2 NPT	341704C200HK						
6	150	6.00 - 6.63	152 - 168	A	1/2 NPT	341706A005HO	\$ 133.10				
					3/4 CC	341706A075HB					
					3/4 NPT	341706A075HC					
					1 CC	341706A100HD					
					1 NPT	341706A100HE					
											\$ 157.00
									1 1/4 CC	341706A125HF	
									1 1/4 NPT	341706A125HG	
									1 1/2 CC	341706A150HH	
						1 1/2 NPT	341706A150HI				
						2 CC	341706A200HJ				
						2 NPT	341706A200HK				
				6.84 - 7.64	174 - 194	B	1/2 NPT	341706B005HO	\$ 133.10		
							3/4 CC	341706B075HB			
							3/4 NPT	341706B075HC			
							1 CC	341706B100HD			
							1 NPT	341706B100HE			
										\$ 159.50	
						1 1/4 CC	341706B125HF				
						1 1/4 NPT	341706B125HG				
						1 1/2 CC	341706B150HH				
						1 1/2 NPT	341706B150HI				
				2 CC	341706B200HJ						
				2 NPT	341706B200HK						

3417DI DUCTILE IRON SADDLE WITH STRAPS

Nominal Pipe Size		Pipe OD Range		Letter code	Outlet Size	Part Number	List Price	
Inches	MM	Inches	MM					
6	150	6.63 - 6.90	168 - 175	C	1/2 NPT	341706C005HO	\$ 133.10	
					3/4 CC	341706C075HB		
					3/4 NPT	341706C075HC		
					1 CC	341706C100HD		
					1 NPT	341706C100HE		
					1 1/4 CC	341706C125HF	\$ 159.50	
					1 1/4 NPT	341706C125HG		
					1 1/2 CC	341706C150HH		
					1 1/2 NPT	341706C150HI		
					2 CC	341706C200HJ		
					2 NPT	341706C200HK		
8	200	8.00 - 8.63	203 - 219	A	1/2 NPT	341708A005HO	\$ 154.80	
					3/4 CC	341708A075HB		
					3/4 NPT	341708A075HC		
					1 CC	341708A100HD		
					1 NPT	341708A100HE	\$ 164.00	
					1 1/4 CC	341708A125HF		
					1 1/4 NPT	341708A125HG		
					1 1/2 CC	341708A150HH		
					1 1/2 NPT	341708A150HI		
					2 CC	341708A200HJ		
		2 NPT	341708A200HK	\$ 185.70				
		8.54 - 10.10	216 - 257		B	1/2 NPT	341708B005HO	\$ 157.40
						3/4 CC	341708B075HB	
						3/4 NPT	341708B075HC	
						1 CC	341708B100HD	
						1 NPT	341708B100HE	\$ 185.70
						1 1/4 CC	341708B125HF	
						1 1/4 NPT	341708B125HG	
						1 1/2 CC	341708B150HH	
						1 1/2 NPT	341708B150HI	
2 CC	341708B200HJ							
2 NPT	341708B200HK	\$ 185.70						
8.63 - 9.05	219 - 229		C	1/2 NPT	341708C005HO	\$ 157.40		
				3/4 CC	341708C075HB			
				3/4 NPT	341708C075HC			
				1 CC	341708C100HD			
				1 NPT	341708C100HE	\$ 185.70		
				1 1/4 CC	341708C125HF			
				1 1/4 NPT	341708C125HG			
				1 1/2 CC	341708C150HH			
				1 1/2 NPT	341708C150HI			
		2 CC		341708C200HJ				
2 NPT	341708C200HK							

3417DI DUCTILE IRON SADDLE WITH STRAPS

Nominal Pipe Size		Pipe OD Range		Letter code	Outlet Size	Part Number	List Price
Inches	MM	Inches	MM				
10	250	10.00 - 11.10	254 - 282	A	1/2 NPT	341710A005HO	\$ 186.90
					3/4 CC	341710A075HB	
					3/4 NPT	341710A075HC	
					1 CC	341710A100HD	
					1 NPT	341710A100HE	
					1 1/4 CC	341710A125HF	\$ 216.80
					1 1/4 NPT	341710A125HG	
					1 1/2 CC	341710A150HH	
					1 1/2 NPT	341710A150HI	
					2 CC	341710A200HJ	
2 NPT	341710A200HK						
10	250	10.64 - 12.12	270 - 308	B	1/2 NPT	341710B005HO	\$ 186.90
					3/4 CC	341710B075HB	
					3/4 NPT	341710B075HC	
					1 CC	341710B100HD	
					1 NPT	341710B100HE	
					1 1/4 CC	341710B125HF	\$ 216.80
					1 1/4 NPT	341710B125HG	
					1 1/2 CC	341710B150HH	
					1 1/2 NPT	341710B150HI	
					2 CC	341710B200HJ	
2 NPT	341710B200HK						
12	300	12.00 - 13.20	305 - 335	A	1/2 NPT	341712A005HO	\$ 217.60
					3/4 CC	341712A075HB	
					3/4 NPT	341712A075HC	
					1 CC	341712A100HD	\$ 249.20
					1 NPT	341712A100HE	
					1 1/4 CC	341712A125HF	
					1 1/4 NPT	341712A125HG	
		1 1/2 CC	341712A150HH				
		1 1/2 NPT	341712A150HI				
		2 CC	341712A200HJ				
		2 NPT	341712A200HK				
		12.62 - 14.32	321 - 364	B	1/2 NPT	341712B005HO	\$ 217.60
					3/4 CC	341712B075HB	
					3/4 NPT	341712B075HC	
1 CC	341712B100HD				\$ 249.20		
1 NPT	341712B100HE						
1 1/4 CC	341712B125HF						
1 1/4 NPT	341712B125HG						
1 1/2 CC	341712B150HH						
1 1/2 NPT	341712B150HI						
2 CC	341712B200HJ						
2 NPT	341712B200HK						

3417DI DUCTILE IRON SADDLE WITH STRAPS

Nominal Pipe Size		Pipe OD Range		Letter code	Outlet Size	Part Number	List Price
Inches	MM	Inches	MM				
12 - 14	300 - 350	14.73 - 15.65	374 - 398	A	1/2 NPT	3417121405HO	\$ 253.60
					3/4 CC	34171214075HB	
					3/4 NPT	34171214075HC	
					1 CC	34171214100HD	
					1 NPT	34171214100HE	
					1 1/4 CC	34171214125HF	\$ 270.00
					1 1/4 NPT	34171214125HG	
					1 1/2 CC	34171214150HH	
					1 1/2 NPT	34171214150HI	
					2 CC	34171214200HJ	
2 NPT	34171214200HK						
16 - 18	400 - 450	17.40 - 18.88	442 - 480	A	1/2 NPT	341716A005HO	\$ 313.00
					3/4 CC	341716A075HB	
					3/4 NPT	341716A075HC	
					1 CC	341716A100HD	
					1 NPT	341716A100HE	
					1 1/4 CC	341716A125HF	\$ 334.60
					1 1/4 NPT	341716A125HG	
					1 1/2 CC	341716A150HH	
					1 1/2 NPT	341716A150HI	
					2 CC	341716A200HJ	
2 NPT	341716A200HK						
18	450	19.50	495	A	1/2 NPT	341718A005HO	\$ 404.90
					3/4 CC	341718A075HB	
					3/4 NPT	341718A075HC	
					1 CC	341718A100HD	
					1 NPT	341718A100HE	
					1 1/4 CC	341718A125HF	\$ 426.90
					1 1/4 NPT	341718A125HG	
					1 1/2 CC	341718A150HH	
					1 1/2 NPT	341718A150HI	
					2 CC	341718A200HJ	
2 NPT	341718A200HK						
20	500	21.60	549	A	1/2 NPT	341720A005HO	\$ 465.60
					3/4 CC	341720A075HB	
					3/4 NPT	341720A075HC	
					1 CC	341720A100HD	
					1 NPT	341720A100HE	
					1 1/4 CC	341720A125HF	\$ 487.70
					1 1/4 NPT	341720A125HG	
					1 1/2 CC	341720A150HH	
					1 1/2 NPT	341720A150HI	
					2 CC	341720A200HJ	
2 NPT	341720A200HK						

3417DI DUCTILE IRON SADDLE WITH STRAPS

Nominal Pipe Size		Pipe OD Range		Letter code	Outlet Size	Part Number	List Price
Inches	MM	Inches	MM				
24	600	25.80	655	A	1/2 NPT	341724A005H0	\$ 542.90
					3/4 CC	341724A075HB	
					3/4 NPT	341724A075HC	
					1 CC	341724A100HD	
					1 NPT	341724A100HE	
					1 1/4 CC	341724A125HF	\$ 564.90
					1 1/4 NPT	341724A125HG	
					1 1/2 CC	341724A150HH	
					1 1/2 NPT	341724A150HI	
					2 CC	341724A200HJ	
					2 NPT	341724A200HK	

HOW TO ORDER: Choose nominal pipe size x outlet size and thread configuration.

EXAMPLE: 4" Ductile Iron O.D. 4.80 with 3/4 CC outlet. Order 3417 - 4B x 3/4 CC Epoxy. **Part Number:** 341704B075HB

NOTE: Please advise when saddles are being ordered for use on C900 pipe.

Manufacturer Suggestion: For PVC pipe applications, order saddle which has OD of pipe at the top of the range.



COATING OPTION: Anti-Seizing/Galling protection. Available for both Alloy and SST application.

Inquire with sales for cost and availability

3417SW DUCTILE IRON SADDLE WITH SINGLE WIDE STRAP

BODY CASTING: Ductile Iron per ASTM A536.

STRAP: Type 304 (18-8) Stainless Steel per ASTM A240.

STUD BOLTS: Type 304 (18-8) Stainless Steel per ASTM A193.

NUTS: Type 304 (18-8) Stainless Steel per ASTM A194. **NOTE:** Hex nuts are furnished with fusion bonded coating to prevent seizing and/or galling.

GASKET: NBR per ASTM D2000 with Unique dual O-Ring design permanently bonded in recessed casting, with a temperature range of -25°F to +248°F.

FINISH: Epoxy.



Nominal Pipe Size		Pipe OD Range		Letter Code	Outlet Size	Part Number	List Price		
Inches	MM	Inches	MM						
2	50	2.38 - 2.50	61 - 64	A	1/2 NPT	341702A005H0-SW	\$ 115.90		
					3/4 CC	341702A075HB-SW			
					3/4 NPT	341702A075HC-SW			
					1 CC	341702A100HD-SW			
					1 NPT	341702A100HE-SW			
					1 1/4 CC	341702A125HF-SW		\$ 138.00	
					1 1/4 NPT	341702A125HG-SW			
					1 1/2 NPT	341702A150HH-SW			
1 1/2 NPT	341702A150HI-SW								
3	80	3.50	89	A	1/2 NOT	341703A005H0-SW	\$ 116.40		
					3/4 CC	341703A075HB-SW			
					3/4 NPT	341703A075HC-SW			
					1 CC	341703A100HD-SW			
					1 NPT	341703A100HE-SW			
					1 1/4 CC	341703A125HF-SW		\$ 138.80	
					1 1/4 NPT	341703A125HG-SW			
					1 1/2 CC	341703A150HH-SW			
		1 1/2 NPT	341703A150HI-SW						
		3.45 - 4.05	88 - 103	B			2 NPT	341703A200HK-SW	\$ 116.40
							1/2 NPT	341703B005H0-SW	
							3/4 CC	341703B075HB-SW	
							3/4 NPT	341703B075HC-SW	
							1 CC	341703B100HD-SW	
							1 NPT	341703B100HE-SW	
							1 1/4 CC	341703B125HF-SW	
1 1/4 NPT	341703B125HG-SW								
1 1/2 CC	341703B150HH-SW								
1 1/2 NPT	341703B150HI-SW								
					2 NPT	341703B200HK-SW			

3417SW DUCTILE IRON SADDLE WITH SINGLE WIDE STRAP

Nominal Pipe Size		Pipe OD Range		Letter Code	Outlet Size	Part Number	List Price
Inches	MM	Inches	MM				
4	100	4.00 - 4.50	102 - 114	A	1/2 NPT	341704A005HO-SW	\$ 116.90
					3/4 CC	341704A075HB-SW	
					3/4 NPT	341704A075HC-SW	
					1 CC	341704A100HD-SW	
					1 NPT	341704A100HE-SW	
		1 1/4 CC	341704A125HF-SW	\$ 139.50			
		1 1/4 NPT	341704A125HG-SW				
		1 1/2 CC	341704A150HH-SW				
		1 1/2 NPT	341704A150HI-SW				
		2 CC	341704A200HJ-SW				
4	100	4.74 - 5.63	120 - 143	B	1/2 NPT	341704B005HO-SW	\$ 116.90
					3/4 CC	341704B075HB-SW	
					3/4 NPT	341704B075HC-SW	
					1 CC	341704B100HD-SW	
					1 NPT	341704B100HE-SW	
		1 1/4 CC	341704C125HF-SW	\$ 139.50			
		1 1/4 NPT	341704C125HG-SW				
		1 1/2 CC	341704C150HH-SW				
		1 1/2 NPT	341704C150HI-SW				
		2 CC	341704C200HJ-SW				
6	150	6.00 - 6.63	152 - 168	A	1/2 NPT	341706A005HO-SW	\$ 133.10
					3/4 CC	341706A075HB-SW	
					3/4 NPT	341706A075HC-SW	
					1 CC	341706A100HD-SW	\$ 157.00
					1 NPT	341706A100HE-SW	
					1 1/4 CC	341706A125HF-SW	
					1 1/4 NPT	341706A125HG-SW	
					1 1/2 CC	341706A150HH-SW	
					1 1/2 NPT	341706A150HI-SW	
		2 CC	341706A200HJ-SW	\$ 133.10			
		2 NPT	341706A200HK-SW				
		1/2 NPT	341706B005HO-SW				
		3/4 CC	341706B075HB-SW				
		3/4 NPT	341706B075HC-SW				
		1 CC	341706B100HD-SW				
		1 NPT	341706B100HE-SW				
		1 1/4 CC	341706B125HF-SW		\$ 157.00		
		1 1/4 NPT	341706B125HG-SW				
1 1/2 CC	341706B150HH-SW						
1 1/2 NPT	341706B150HI-SW						
2 CC	341706B200HJ-SW	\$ 157.00					
2 NPT	341706B200HK-SW						

3417SW DUCTILE IRON SADDLE WITH SINGLE WIDE STRAP

Nominal Pipe Size		Pipe OD Range		Letter Code	Outlet Size	Part Number	List Price
Inches	MM	Inches	MM				
6	150	6.63 - 6.90	168 - 175	C	1/2 NPT	341706C005HO-SW	\$ 133.10
					3/4 CC	341706C075HB-SW	
					3/4 NPT	341706C075HC-SW	
					1 CC	341706C100HD-SW	
					1 NPT	341706C100HE-SW	
					1 1/4 CC	341706C125HF-SW	\$ 157.00
					1 1/4 NPT	341706C125HG-SW	
					1 1/2 CC	341706C150HH-SW	
					1 1/2 NPT	341706C150HI-SW	
					2 CC	341706C200HJ-SW	
					2 NPT	341706C200HK-SW	
8	200	8.00 - 8.63	203 - 219	A	1/2 NPT	341708A005HO-SW	\$ 154.80
					3/4 CC	341708A075HB-SW	
					3/4 NPT	341708A075HC-SW	
					1 CC	341708A100HD-SW	
					1 NPT	341708A100HE-SW	
					1 1/4 CC	341708A125HF-SW	\$ 179.50
					1 1/4 NPT	341708A125HG-SW	
		1 1/2 CC	341708A150HH-SW				
		1 1/2 NPT	341708A150HI-SW				
		2 CC	341708A200HJ-SW	\$ 154.80			
		2 NPT	341708A200HK-SW				
		1/2 NPT	341708B005HO-SW		\$ 154.80		
		3/4 CC	341708B075HB-SW				
		3/4 NPT	341708B075HC-SW				
1 CC	341708B100HD-SW						
1 NPT	341708B100HE-SW						
1 1/4 CC	341708B125HF-SW	\$ 179.50					
1 1/4 NPT	341708B125HG-SW						
1 1/2 CC	341708B150HH-SW						
1 1/2 NPT	341708B150HI-SW						
2 CC	341708B200HJ-SW	\$ 179.50					
2 NPT	341708B200HK-SW						
8	200	8.63 - 9.05	219 - 229	C	1/2 NPT	341708C005HO-SW	\$ 154.80
					3/4 CC	341708C075HB-SW	
					3/4 NPT	341708C075HC-SW	
					1 CC	341708C100HD-SW	
					1 NPT	341708C100HE-SW	
					1 1/4 CC	341708C125HF-SW	\$ 179.50
					1 1/4 NPT	341708C125HG-SW	
					1 1/2 CC	341708C150HH-SW	
					1 1/2 NPT	341708C150HI-SW	
					2 CC	341708C200HJ-SW	
					2 NPT	341708C200HK-SW	

3417SW DUCTILE IRON SADDLE WITH SINGLE WIDE STRAP

Nominal Pipe Size		Pipe OD Range		Letter Code	Outlet Size	Part Number	List Price
Inches	MM	Inches	MM				
10	250	10.00 - 11.10	254 - 282	A	1/2 NPT	341710A005HO-SW	\$ 186.90
					3/4 CC	341710A075HB-SW	
					3/4 NPT	341710A075HC-SW	
					1 CC	341710A100HD-SW	
					1 NPT	341710A100HE-SW	
					1 1/4 CC	341710A125HF-SW	\$ 201.10
					1 1/4 NPT	341710A125HG-SW	
					1 1/2 CC	341710A150HH-SW	
					1 1/2 NPT	341710A150HI-SW	
					2 CC	341710A200HJ-SW	
10	250	10.64 - 12.12	270 - 308	B	1/2 NPT	341710B005HO-SW	\$ 186.90
					3/4 CC	341710B075HB-SW	
					3/4 NPT	341710B075HC-SW	
					1 CC	341710B100HD-SW	
					1 NPT	341710B100HE-SW	
					1 1/4 CC	341710B125HF-SW	\$ 201.10
					1 1/4 NPT	341710B125HG-SW	
					1 1/2 CC	341710B150HH-SW	
					1 1/2 NPT	341710B150HI-SW	
					2 CC	341710B200HJ-SW	
12	300	12.00 - 13.20	305 - 335	A	1/2 NPT	341712A005HO-SW	\$ 217.60
					3/4 CC	341712A075HB-SW	
					3/4 NPT	341712A075HC-SW	
					1 CC	341712A100HD-SW	
					1 NPT	341712A100HE-SW	
					1 1/4 CC	341712A125HF-SW	\$ 233.00
					1 1/4 NPT	341712A125HG-SW	
					1 1/2 CC	341712A150HH-SW	
					1 1/2 NPT	341712A150HI-SW	
					2 CC	341712A200HJ-SW	
12	300	12.62 - 14.32	321 - 364	B	1/2 NPT	341712B005HO-SW	\$ 217.60
					3/4 CC	341712B075HB-SW	
					3/4 NPT	341712B075HC-SW	
					1 CC	341712B100HD-SW	
					1 NPT	341712B100HE-SW	
					1 1/4 CC	341712B125HF-SW	\$ 233.00
					1 1/4 NPT	341712B125HG-SW	
					1 1/2 CC	341712B150HH-SW	
					1 1/2 NPT	341712B150HI-SW	
					2 CC	341712B200HJ-SW	
					2 NPT	341712B200HK-SW	

3417SW DUCTILE IRON SADDLE WITH SINGLE WIDE STRAP

Nominal Pipe Size		Pipe OD Range		Letter Code	Outlet Size	Part Number	List Price
Inches	MM	Inches	MM				
12 - 14	300 - 350	14.73 - 15.65	374 - 398	A	1/2 NPT	34171214005HO-SW	\$ 245.20
					3/4 CC	34171214075HB-SW	
					3/4 NPT	34171214075HC-SW	
					1 CC	34171214100HD-SW	
					1 NPT	34171214100HE-SW	
					1 1/4 CC	34171214125HF-SW	\$ 263.20
					1 1/4 NPT	34171214125HG-SW	
					1 1/2 CC	34171214150HH-SW	
					1 1/2 NPT	34171214150HI-SW	
					2 CC	34171214200HJ-SW	
2 NPT	34171214200HK-SW						
16 - 18	400 - 450	17.40 - 18.88	442 - 480	A	1/2 NPT	341716A005HO-SW	\$ 300.20
					3/4 CC	341716A075HB-SW	
					3/4 NPT	341716A075HC-SW	
					1 CC	341716A100HD-SW	
					1 NPT	341716A100HE-SW	
					1 1/4 CC	341716A125HF-SW	\$ 331.30
					1 1/4 NPT	341716A125HG-SW	
					1 1/2 CC	341716A150HH-SW	
					1 1/2 NPT	341716A150HI-SW	
					2 CC	341716A200HJ-SW	
2 NPT	341716A200HK-SW						
18	450	19.50	495	A	1/2 NPT	341718A005HO-SW	\$ 353.20
					3/4 CC	341718A075HB-SW	
					3/4 NPT	341718A075HC-SW	
					1 CC	341718A100HD-SW	
					1 NPT	341718A100HE-SW	
					1 1/4 CC	341718A125HF-SW	\$ 378.10
					1 1/4 NPT	341718A125HG-SW	
					1 1/2 CC	341718A150HH-SW	
					1 1/2 NPT	341718A150HI-SW	
					2 CC	341718A200HJ-SW	
2 NPT	341718A200HK-SW						

3417SW DUCTILE IRON SADDLE WITH SINGLE WIDE STRAP

Nominal Pipe Size		Pipe OD Range		Letter Code	Outlet Size	Part Number	List Price	
Inches	MM	Inches	MM					
20	500	21.60	549	A	1/2 NPT	341720A005HO-SW	\$ 415.50	
					3/4 CC	341720A075HB-SW		
					3/4 NPT	341720A075HC-SW		
					1 CC	341720A100HD-SW		
					1 NPT	341720A100HE-SW		
					1 1/4 CC	341720A125HF-SW	\$ 445.80	
					1 1/4 NPT	341720A125HG-SW		
					1 1/2 CC	341720A150HH-SW		
					1 1/2 NPT	341720A150HI-SW		
					2 CC	341720A200HJ-SW		
24	600	25.80	655	A	2 NPT	341720A200HK-SW	\$ 488.90	
					1/2 NPT	341724A005HO-SW		
					3/4 CC	341724A075HB-SW		
					3/4 NPT	341724A075HC-SW		
					1 CC	341724A100HD-SW		
					1 NPT	341724A100HE-SW		
					1 1/4 CC	341724A125HF-SW		\$ 524.40
					1 1/4 NPT	341724A125HG-SW		
					1 1/2 CC	341724A150HH-SW		
					1 1/2 NPT	341724A150HI-SW		
2 CC	341724A200HJ-SW							
					2 NPT	341724A200HK-SW		

HOW TO ORDER: Choose nominal pipe size x outlet size and thread configuration. **EXAMPLE:** 4" Ductile Iron O.D. 4.80 with 3/4 CC outlet. Order 3417SW - 4B x 3/4 CC. **Part Number:** 341704B075HB-SW .

NOTE: Please advise when saddles are being ordered for use on C900 pipe.

Manufacturer Suggestion: For PVC pipe applications, order saddle which has OD of pipe at the top of the range.

* Please advise factory at time of ordering when to be used on PVC pipe.

SEWER SADDLE

BODY CASTING: Ductile Iron per ASTM A536.

ADJUSTABLE STRAP: 3 1/2" wide, type 304 (18-8) Stainless Steel per ASTM A240.

STUD BOLTS: 1/2" UNC threads. Type 304 (18-8) Stainless Steel per ASTM A193.

NUTS: Type 304 (18-8) Stainless Steel per ASTM A194. NOTE: Hex nuts are furnished with fusion bonded coating to prevent seizing and/or galling.

WASHERS: Type 304 Stainless steel per ASTM A 240.

GASKET: SBR per ASTM D2000 with a large profile, which allows for a greater range of use and allows for earth movement, and built in pipe stop to prevent line stoppage due to pipe insertion into main.

FINISH: Epoxy.



Nominal Branch Size	Nominal Pipe Size	Pipe OD Range	Branch Type	Branch O.D	Part Number	List Price	Add-on Epoxy	Add-on Epoxy
4"	6"-12" 48" Strap	6.27-14.40 Regular Gasket	PVC Sewer	4.215	EL-4.215	\$137.60	\$41.90	10
			Tyseal	4.28	EL-4.28			
			C.I. soil-No-Hub	4.38	EL-4.38			
			PVC	4.50	EL-4.50			
			Universal	4.20-4.80	EL-4.80UN *			
			Clay	5.00-5.38	EL-5.38 *			
	14"-24" 96" Strap	14.40-25.80 Large O.D Gasket	PVC Sewer	4.215	EL-4.215LS	\$175.00		
			Tyseal	4.28	EL-4.28LS			
			C.I. soil-No-Hub	4.38	EL-4.38LS			
			PVC	4.50	EL-4.50LS			
			Universal	4.20-4.80	EL-4.80UNLS *			
			Clay	5.00-5.38	EL-5.38XLS *			
	24"-48" 192" Strap	25.80-54.00 Large O.D Gasket	PVC Sewer	4.215	EL-4.215XLS	\$324.80		
			Tyseal	4.28	EL-4.28XLS			
			C.I. soil-No-Hub	4.38	EL-4.38XLS			
			PVC	4.50	EL-4.50XLS			
			Universal	4.20-4.80	EL-4.80UNXLS			
			Clay	5.00-5.38	EL-5.38XLS *			
6"	8"-12" 48" Strap	8.00-14.40 Regular Gasket	PVC Sewer C.I Soil-No Hub	6.27-6.30	EL-6.30	\$183.40	\$63.30	12
			Universal	6.27-6.66	EL-6.66UN *			
			Cast Iron- D.I.	6.90	EL-6.90			
			Clay	7.19-8.00	EL-8.00 *			
	14"-24" 96" Strap	14.40-25.80 Large O.D Gasket	PVC Sewer C.I Soil-No Hub	6.27-6.30	EL-6.30LS	\$219.00		
			Universal	6.27-6.66	EL-6.66UNLS *			
			Cast Iron- D.I.	6.90	EL-6.90LS			
			Clay	7.19-8.00	EL-8.00LS *			
	24"-48" 192" Strap	25.80-54.00 Large O.D Gasket	PVC Sewer C.I Soil-No Hub	6.27-6.30	EL-6.30XLS	\$368.80		
			Universal	6.27-6.66	EL-6.66UNXLS *			
			Cast Iron- D.I.	6.90	EL-6.90XLS			
			Clay	7.19-8.00	EL-8.00XLS *			

SEWER SADDLE

Repair Components

Branch Size	Size	Gasket	Saddle Casting	Sliding Bolt	Hose Clamp	Strap
4"	6-12"	44.85	\$48.20	\$16.40	\$13.30	REG (48") \$44.50
	14-24"	61.20				
	24-48"W	61.20				LS (96") \$65.50
6"	8-12"	79.00	\$59.90	\$16.40	\$14.20	XLS (192") \$215.30
	14-24"	93.60				
	24-48"	93.60				

To Order: Specify catalog number. Example: To fit 4" branch to 6"-12" nominal pipe with branch 4.50", order EL-4.50LS

* EL Sewer -saddle for Universal and Clay pipe include stainless steel hose clamp

** Standard gaskets are NOT interchangeable with large gaskets.