



# REPAIR CLAMPS

## ALL STAINLESS FABRICATED LUGS

3121AS - Single Panel

3131AS - Single Panel with Tapped Outlet

3122AS - Double Panel

3132AS - Double Panel with Tapped Outlet

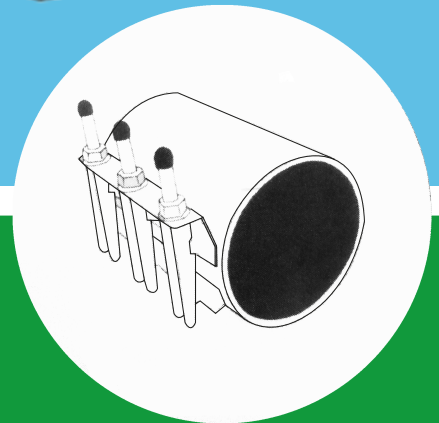
3123AS - Triple Panel



Model 3121AS



- All stainless fabricated lug design
- Corrosion resistant materials
- Also available in 316 grade Stainless
- Available in pipe diameters 1 1/4" and up
- NSF certified



# 1-800-800-0932

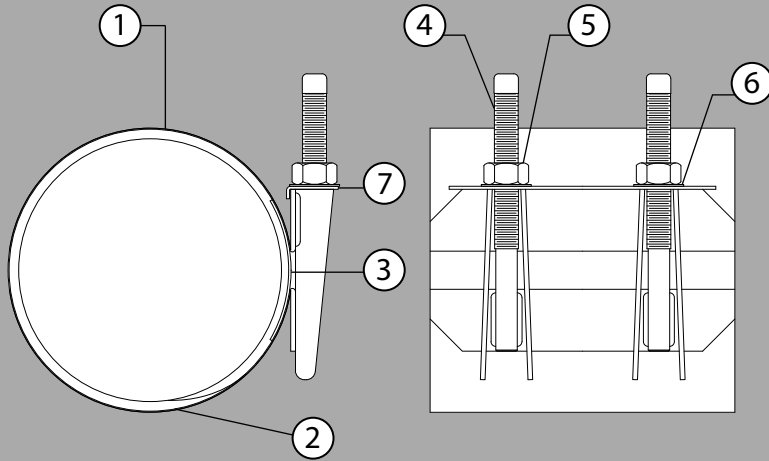
www.powerseal.com • 701 Pleasant View Drive Wichita Falls, TX 76306 • 940-767-5566 fax: 940-723-8378

2-2018

## FITTING SOLUTIONS FOR HARSH ENVIRONMENTS



## COMPONENT REFERENCE



### FEATURES AND BENEFITS

- Constructed of high strength corrosion resistant materials. Type 304 (18-8) stainless steel or other stainless steel options.
- Materials do not compromise the integrity of the pipeline.
- Captive bolt design makes installation easy and eliminates loose pieces in the field.
- Due to stainless steel panel construction clamps can be manufactured to fit any pipe diameter.
- Clamps are available with tapped outlets 1/2" - 3" for repairing damaged service connections.
- Thickest, most intricate gasket design on market today. Our gasket makes sealing on pitted or corroded pipe possible and lessens bolt torque required to attain leak stoppage.
- SBR gasket material. Other materials available.
- Available in single panel and double panel (wide range) styles.
- Vulcanized armor/bridge plates.
- Stainless steel nuts are coated with baked on lubricant to help prevent seizure or galling.
- Also available with never gall treated bolts and nuts.

### MATERIAL SPECIFICATIONS

#### ASSEMBLY BILL OF MATERIALS

ITEM	PART NUM	MATERIAL	MAT. SPEC.
1	Panel	Stainless Steel type 304	ASTM A240
2	Gasket	SBR	ASTM D2000
3	Armor Plate	Stainless Steel type 304	ASTM A240
4	Stud Bolt	Stainless Steel type 304	ASTM A193
5	Heavy Hex nut	Stainless Steel type 304	ASTM A193
6	Friction Washer	Delrin Plastic	MIL-A50424
7	Washer Bar	Stainless Steel type 304	ASTM A240

# 1-800-800-0932

www.powerseal.com • 940-767-5566 fax: 940-723-8378  
701 Pleasant View Drive Wichita Falls, TX 76306



Model 3131AS



Model 3122AS



Model 3132AS



Model 3123AS



Model 3121AS



## FITTING SOLUTIONS FOR HARSH ENVIRONMENTS