



# REPAIR CLAMPS

## WITH DUCTILE IRON LUGS / DROP IN BOLTS

3121 - Single Panel

3122 - Double Panel

3123 - Triple Panel

3131 - Single Panel with Tapped Outlet

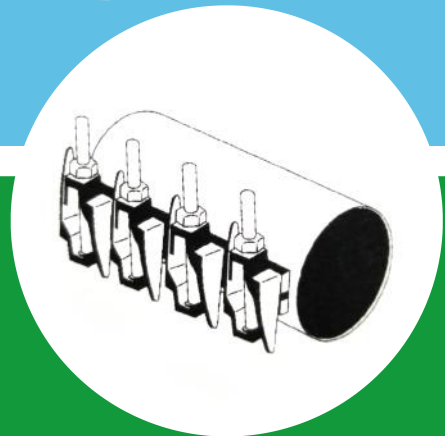
3132 - Double Panel with Tapped Outlet



Model 3121



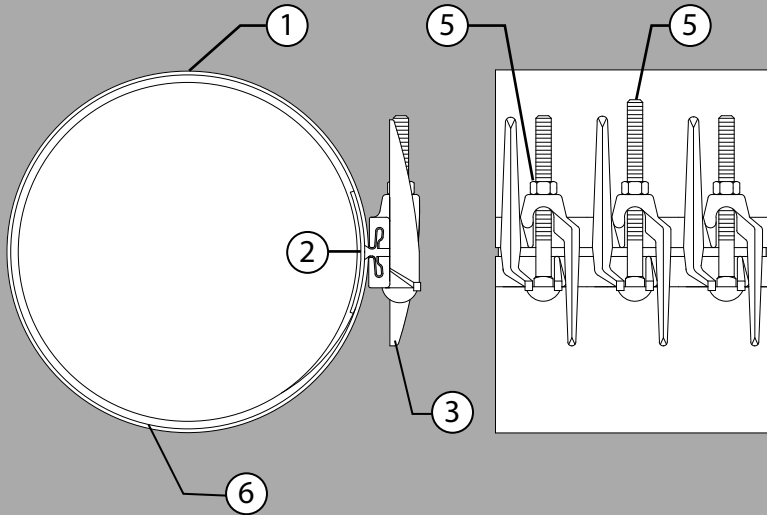
- Ductile iron lug with drop in bolt design
- Constructed of corrosion resistant materials
- Available in pipe diameters 1 1/4" and up
- Field removable lugs
- NSF certified



# 1-800-800-0932



# COMPONENT REFERENCE



## FEATURES AND BENEFITS

- Materials do not compromise the integrity of the pipeline.
- Captive bolt design makes installation easy and eliminates loose pieces in the field.
- Due to stainless steel panel construction clamps can be manufactured to fit any pipe diameter.
- Clamps are available with NPT or AWWA (cc) tapered outlets 1/2" - 3" for repairing damaged service connections.
- Thickest, most intricate gasket design on market today. Our gasket makes sealing on pitted or corroded pipe possible and lessens bolt torque required to attain leak stoppage.
- SBR gasket material. Other materials available.
- Available single panel and multiple panel (wide range) styles.
- Vulcanized armor/bridge plates.
- Lugs are field removable making installations on pipe that has other pipes or conduits laid too close possible.
- Type 304 (18-8) stainless steel, ductile iron, and low alloy steel construction.

## MATERIAL SPECIFICATIONS

### ASSEMBLY BILL OF MATERIALS

ITEM	PART NUM	MATERIAL	MAT. SPEC.
1	Panel	Type 304 Stainless Steel	ASTM A240
2	Armor Plate	Type 304 Stainless Steel	ASTM A240
3	Lugs	Ductile Iron	ASTM A536
4	Bolts	Low Alloy Steel	AWWA C111
5	Nuts	Low Alloy Steel	AWWA C111
6	Gasket	SBR	ASTM D2000

**1-800-800-0932**

www.powerseal.com • 940-767-5566 fax: 940-723-8378  
701 Pleasant View Drive Wichita Falls, TX 76306



Model 3121



Model 3132



Model 3123



Model 3122



Model 3131



**FITTING SOLUTIONS FOR HARSH ENVIRONMENTS**