



# SERVICE SADDLES

3411DI - single Bale  
3413DI - double Bales

3415DI - single SS strap  
3417DI - with two SS straps  
3417DI/SW - with wide SS strap



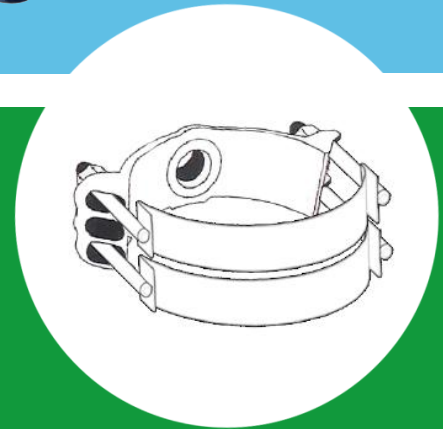
Model 3413DI



Model 3417DI



- Ductile iron body per ASTM A536
- Fusion bonded epoxy coating
- One side closed lug allows preassembly
- Patented TwinSeal gasket
- For use on PVC, DI, Cast and AC pipes
- Various saddle straps available



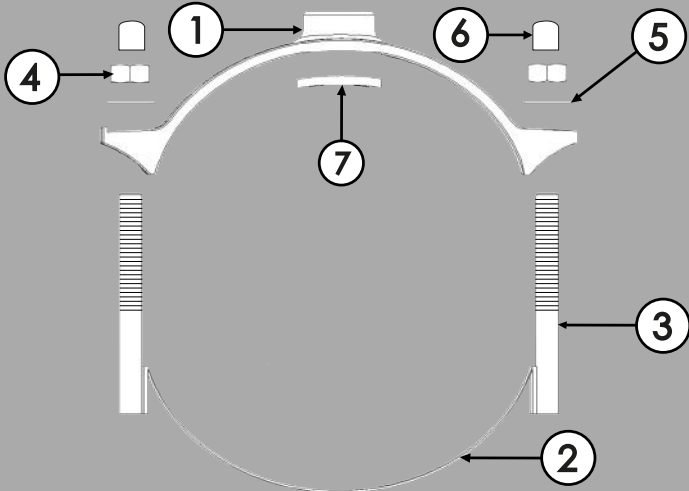
# 1-800-800-0932

5-2018

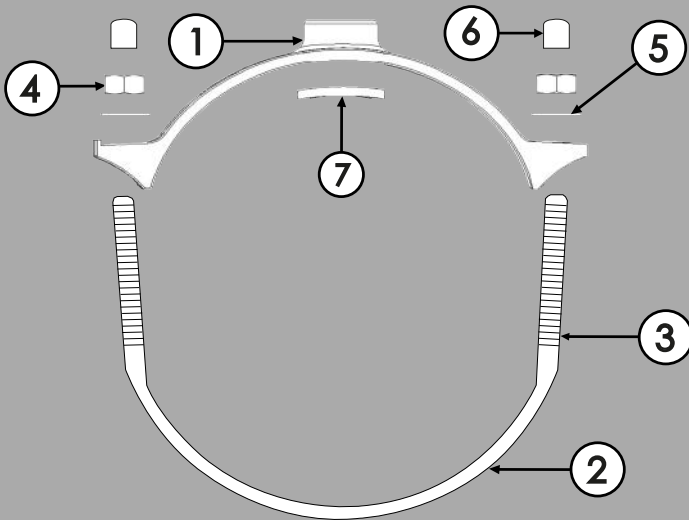


# COMPONENT REFERENCE

## 3415 DUCTILE IRON SADDLE WITH SINGLE STRAP

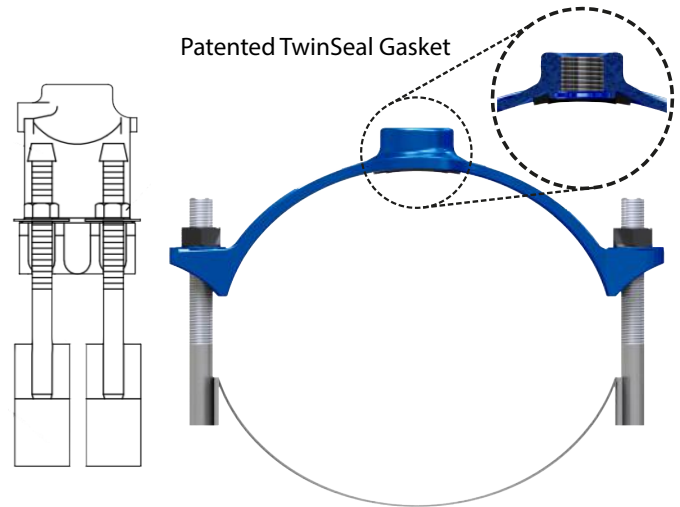


## 3411 DUCTILE IRON SADDLE WITH SINGLE BALE



## FEATURES & BENEFITS

- Heavy duty construction.
- Patented "Twinseal" O-ring gasket (nitrile).
- Wide range.
- Time proven design.
- Available with NPT or AWWA (CC) threads.
- SS straps recommended for PVC pipes.
- Heavy hex nuts.
- Fusion bonded epoxy coating.
- Consult factory or see product technical sheet on website for strap dimensions.



**1-800-800-0932**

www.powerseal.com • 940-767-5566 fax: 940-723-8378  
701 Pleasant View Drive Wichita Falls, TX 76306

## MATERIAL SPECIFICATIONS

ITEM	QTY	PART NUM	MATERIAL	MAT. SPEC.
1	1	Saddle body	Ductile Iron	ASTM A536
2	1	Bale/Strap	Carbon Steel/Stainless Steel	ANSI 1080/ASTM A240
3	2	Bolt/Stud	Low Alloy Steel/Stainless Steel	ASTM A325/ASTM A193
4	2	Heavy-Hex Nut	Low Alloy Steel/Stainless Steel	ASTM A194/ASTM A563
5	2	Washer	Carbon Steel/Stainless Steel	ASTM A36/ASTM A240
6	2	Thread Cap	Plastic	701-89 Black
7	1	Gasket *	Nitrile (NBR)	ASTM D2000

\* Patented TwinSeal.



3411



3413



3415



3417



3417SW



3415AS



3417AS



3417AS-SW