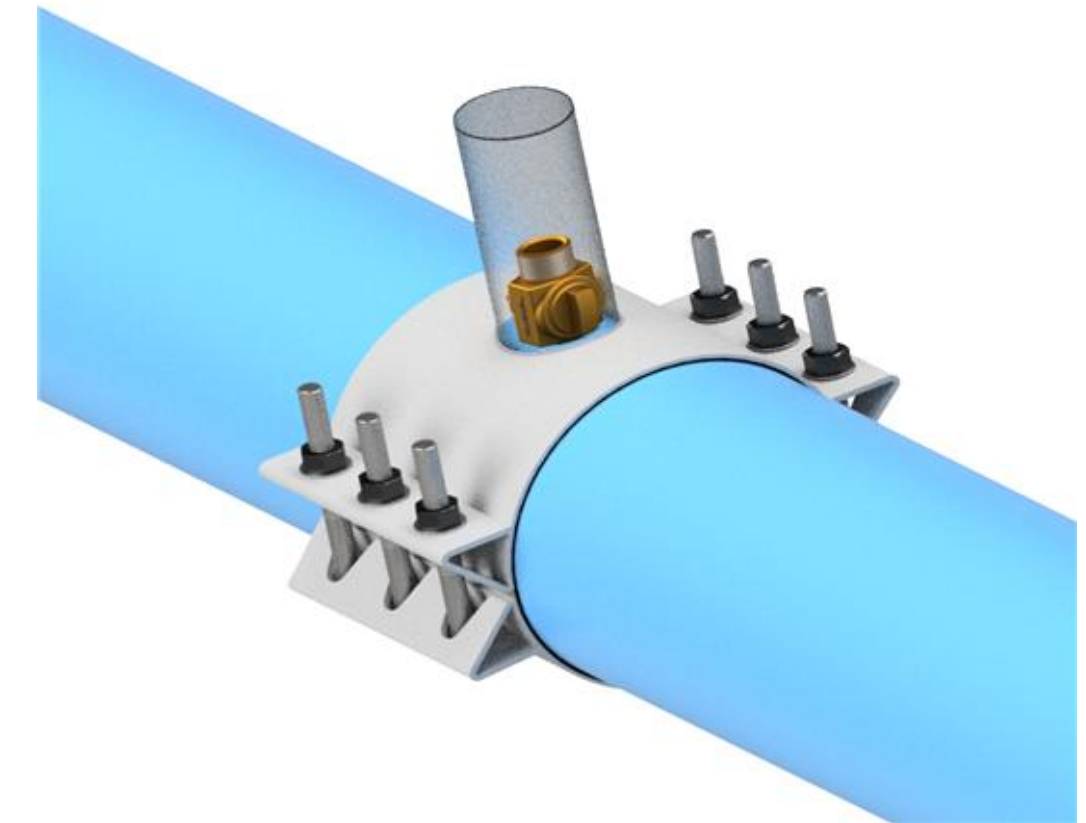
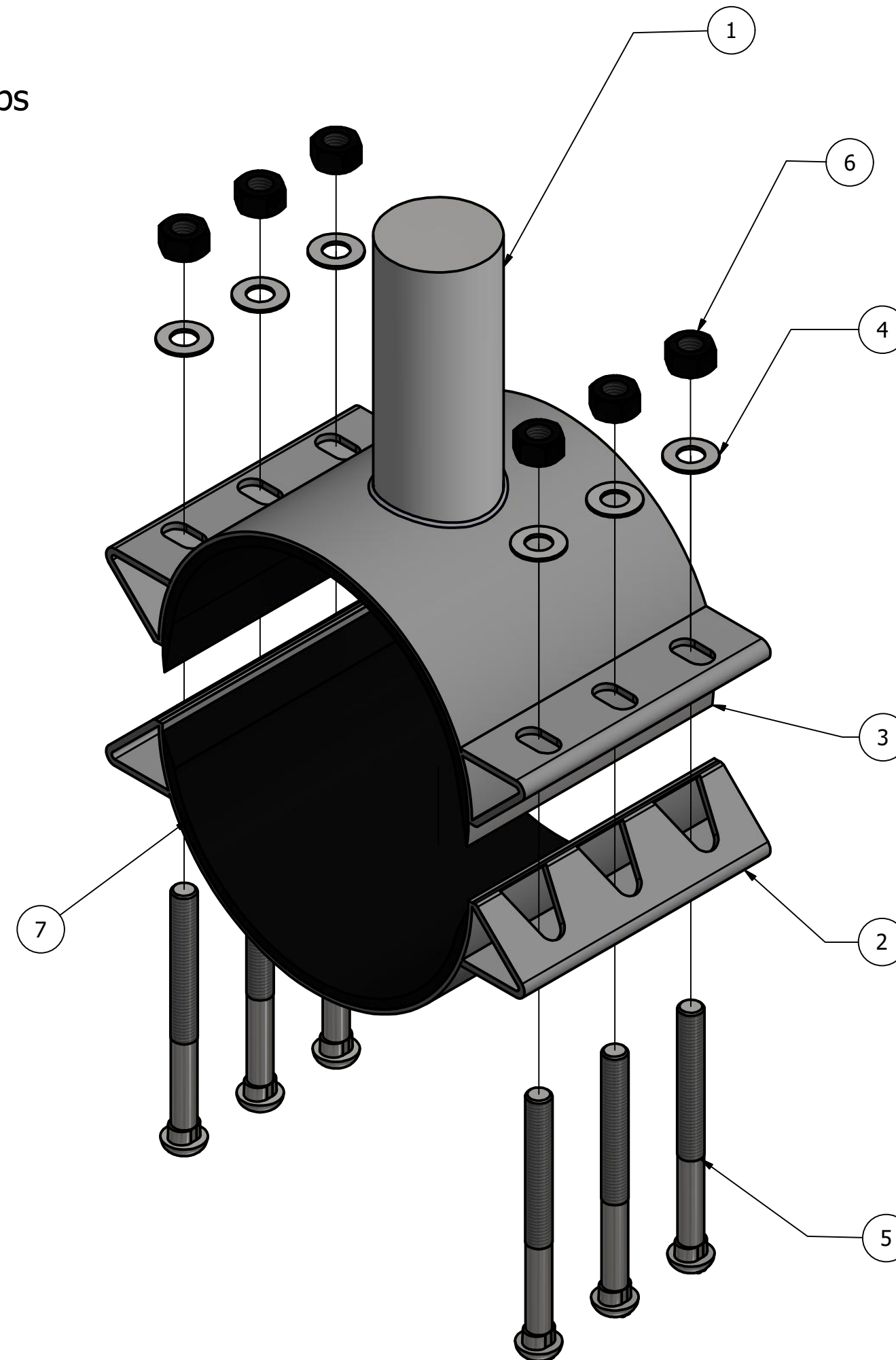
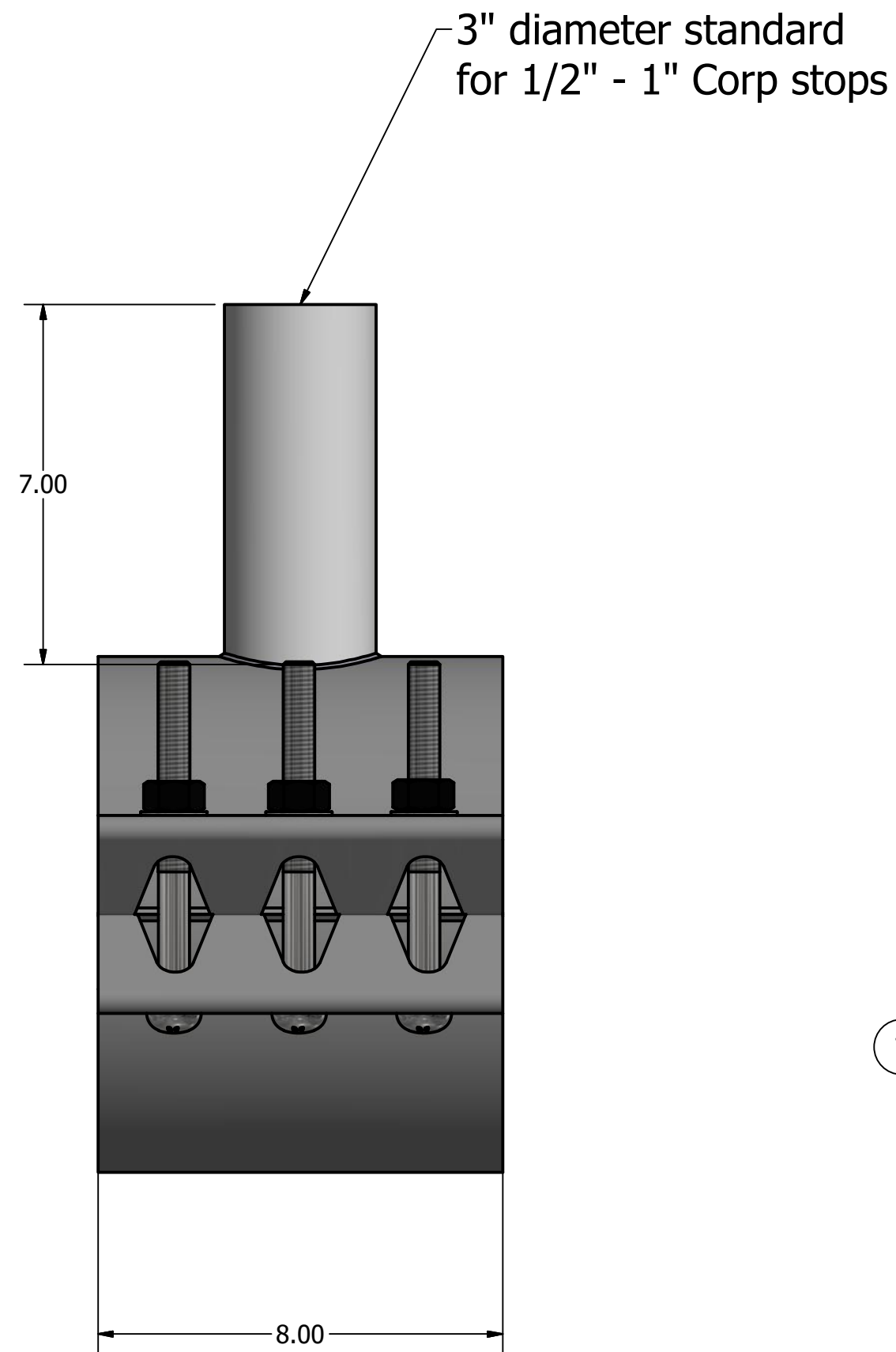


# 3436AS TERMINATION SLEEVE

BILL OF MATERIALS				
ITEM	QTY	PART NUMBER	DESCRIPTION	MATERIAL SPEC
1	1	Top panel	304 Stainless Steel	ASTM A240
2	1	Bottom panel	304 Stainless Steel	ASTM A240
3	2	Armorplates	304 Stainless Steel	ASTM A240
4	6	5/8" Washer	304 Stainless Steel	ANSI B18.22.1
5	6	5/8" Bolt	304 Stainless Steel	ASTM A193
6	6	5/8" Heavy Hex Nut	304 Stainless Steel	ASTM A194
7	2	Gasket	SBR	ASTM D200



## Notes:

- Optional 6" branch diameter to encapsulate 1 1/4" - 2" corp stops.
- For 1 1/4" - 2" corp stops, the sleeve will be 12" wide

THIS DRAWING AND ALL INFORMATION IS THE PROPERTY OF PAM, LTD. AND SHALL NOT BE USED, COPIED, OR REPRODUCED WITHOUT CONSENT. ALL DESIGNS AND INVENTION RIGHTS ARE RESERVED.



MODEL			
3436AS TERMINATION SLEEVE			
SIZE	Wichita Falls, Texas	DWG NO	REV
DRAFTSMAN / DATE	KAS 08/15/17	SHEET 1 OF 1	