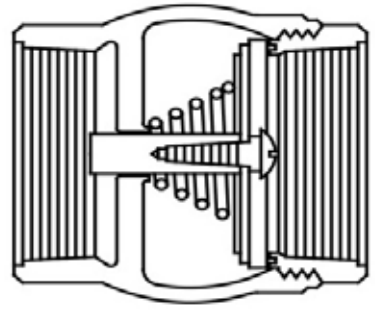


5396

THREADED STYLE BRONZE BODY* SILENT CHECK

BODY: Cast Iron per ASTM A126, Class B.
SEAT: Bronze per ASTM B584, CDA-836
PLUG: Bronze per ASTM B584, CDA-836.
SPRING: Type 304 (18-8) Stainless Steel per ASTM A313.
BUSHING: Bronze per ASTM B584, CDA-932.
RETAINING SCREW: Type 304 (18-8) Stainless Steel per ASTM A276.



250 PSI MAXIMUM PRESSURE

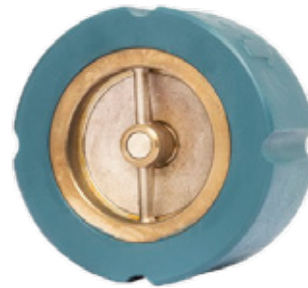
Valve Size NPT	Letter Code	Part Number	List Price	Weight	
				lbs.	kgs.
1/2	A	5396A00500Z1	\$112.70	0.8	0.3
3/4	B	5396B07500Z1	\$136.90	1.0	1.0
1	C	5396C01000Z1	\$174.80	1.5	1.5

Valve Size NPT	Letter Code	Part Number	List Price	Weight	
				lbs.	kgs.
1 1/4	D	5396D01250Z1	\$205.90	2.0	0.9
1 1/2	E	5396E01500Z1	\$281.80	2.5	1.1
2	F	5396F02000Z1	\$404.80	4.0	1.8

5397

WAFER STYLE METAL SEAT

BODY: Cast Iron per ASTM A126, Class B.
SEAT: Bronze per ASTM B584, CDA-836.
PLUG: Bronze per ASTM B584, CDA-836.
SPRING: Type 304 (18-8) Stainless Steel per ASTM A313.
BUSHING: Bronze per ASTM B584, CDA-932.
RETAINING SCREWS: Type 304 (18-8) Stainless Steel per ASTM A276.



125# FLANGED VALVE

Flanged Inlet Size	Letter Code	Part Number	Stainless Trim List Price	Part Number	Bronze Trim List Price	Weight	
						lbs.	kgs.
2	A	5397A0020000	\$805.00	5397A00200Z1	\$460.00	6	3
2 1/2	B	5397B0025000	\$931.50	5397B00250Z1	\$517.50	7	3,2
3	C	5397C0030000	\$1,124.70	5397C00300Z1	\$532.50	11	5
4	D	5397D0040000	\$1,544.50	5397D00400Z1	\$709.60	19	9
5	E	5397E0050000	\$2,170.00	5397E00500Z1	\$1,094.80	28	13
6	F	5397F0060000	\$2,450.70	5397F00600Z1	\$1,277.70	41	19
38	G	5397G0080000	\$4,254.00	5397G00800Z1	\$2,287.40	84	38
10	H	5397H0100000	\$6,610.20	5397H01000Z1	\$3,570.80	129	59

250# FLANGED VALVE

Flanged Inlet Size	Letter Code	Part Number	Stainless Trim List Price	Part Number	Bronze Trim List Price	Weight	
						lbs.	kgs.
8	G	5397G0080250	\$4,981.80	5397G0080250-S	\$3,074.00	89	41
10	H	5397H0100250	\$7,648.70	5397H0100250-S	\$4,627.60	137	62

NOTE: Sizes 2"-6" are combination valves suitable for both 125# and 250# applications.