

PARTS

REPAIR CLAMPS PARTS

Part Number	Component Description	Model Number	Product Size	List Price	Unit
V3151001	Neoprene Sheet Gasket	3151	All Sizes	\$ 0.15	Square Inch
		3151AS			
		3152			
		3153			
V3151002	Waffle pattern Gasket (NBR)	3151	All Sizes	\$ 0.50	Square Inch
		3151AS			
		3152			
		3153			
V3100501	Check-O-Seal Gasket (SBR)	3110	All Sizes	\$ 0.50	Square Inch
		3111			
		3121			
		3122			
		3123			
		3121AS			
		3122AS			
		3123AS			
V3100302	5/8 X 6 Carriage Bolt, Nut & Washers	3110	All Sizes	\$ 14.30	Each
		3111			
		3142			
V3490001	5/8 X 6 Stainless Steel Carriage Bolt, Nut & Washer	3110	All Sizes	\$ 26.80	Each
		3111			
		3142			
V3100401	5/8 X 6 Track Head Bolt & Nut	3121	All Sizes	\$ 8.70	Each
		3122		\$ 8.80	
V3100403	5/8 X 7 Track Head Bolt & Nut	3123	All Sizes	\$ 8.80	Each
		3141			
V3100402	5/8 X 6 Stainless Steel Track Head Bolt & Nut	3121	All Sizes	\$ 16.00	Each
		3122			
V3100402S	5/8 X 7 Stainless Steel Track Head Bolt & Nut	3123	All Sizes	\$ 25.20	Each
		3141			
V3151101	3/8 X 3 Carriage Bolt, Nut & Washer	3140	1/2" - 1 1/2"	\$ 12.00	Each
		3151			
		3152			
V3151102	3/8 x 3 Stainless Steel Carriage Bolt, Nut & Washers	3140	1/2" - 1 1/2"	\$ 21.80	Each
		3151			
		3152			
		3153			
V3151103	7/16 X 4 1/4 Carriage Bolt, Nut & Washer	3140	2" - 5"	\$ 13.40	Each
		3151			
		3152			
		3153			

Part Number	Component Description	Model Number	Product Size	List Price	Unit
V3151103A	7/16 X 4 1/2 Stainless Steel Carriage Bolt, Nut & Washer	3140	2" - 12"	\$ 23.60	Each
		3151			
		3152			
		3153			
V3151104	7/16 X 5 Carriage Bolt, Nut & Washer	3140	6" - 12"	\$ 11.90	Each
		3151			
		3152			
		3153			
V3100304	Gasket Adhesive	All Clamps	All Sizes	POA	Pint

COMPLETE CIRCLE REPAIR CLAMPS BOLT QUANTITY CHART

Model	Pipe Size	Repair Clamp Description	Width									Replacement Bolt Description
			6	8	10	12	16	20	24	30	36	
3121	All Sizes	IRON LUG SINGLE PANEL	2	3	4	4	6	8	8	10	12	5/8 X 6 & 7 Track Head Bolt & Nut
3121CS	All Sizes	CAST STAINLESS LUG SINGLE PANEL	-	3	-	4	6	-	9	10	-	5/8 X 6 & 7 Stainless Steel Track Head Bolt & Nut
3121AS	All Sizes	ALL STAINLESS SINGLE PANEL	2	2	3	3	4	5	6	8	9	Not Applicable
3121ASLW	All Sizes	ALL STAINLESS LIGHT WEIGHT	2	2	-	3	-	-	-	-	-	Not Applicable
3122	All Sizes	IRON LUG DOUBLE PANEL	4	6	8	8	12	16	16	20	24	5/8 X 6 & 7 Track Head Bolt & Nut
3122AS	All Sizes	ALL STAINLESS DOUBLE PANEL	4	4	6	6	8	10	12	16	18	Not Applicable
3122AS-HP	4" - 16"	ALL STAINLESS HIGH PRESSURE	-	-	-	-	10	14	16	20	-	5/8 X 7 Stainless Steel Track Head Bolt & Nut
3122AS-HP	18" - 22"	ALL STAINLESS HIGH PRESSURE	-	-	-	-	10	14	16	20	-	3/4 X 7 Stainless Steel Track Head Bolt & Nut
3123	All Sizes	IRON LUG TRIPLE PANEL	-	-	-	-	18	24	24	30	36	5/8 X 6 & 7 Track Head Bolt & Nut
3123AS	All Sizes	ALL STAINLESS TRIPLE PANEL	-	-	-	-	12	15	18	24	27	Not Applicable

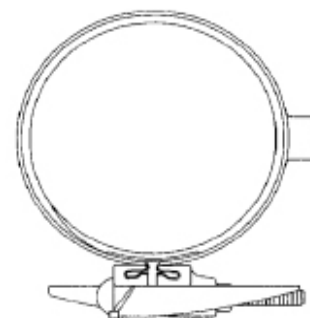
SMALL DIAMETER AND SPECIALTY REPAIR CLAMPS BOLT QUANTITY CHART

Model	Pipe Size	Repair Clamp Description	Width							Replacement Bolt Description	
			8	10	12	16	20	24	30		36
3140	3/4" - 1 1/2"	SMALL DIAMETER COLLAR LEAK	1	-	-	2	-	-	-	-	3/8 X 3 Carriage Bolt, Nut & Washer
3140	2" - 2 1/2"	SMALL DIAMETER COLLAR LEAK	1	-	-	2	-	-	-	-	7/16 X 4 1/4 Carriage Bolt, Nut & Washer
3141	All Sizes	IRON LUG COLLAR LEAK	-	-	-	2	3	-	-	-	5/8 X 6 Track Head Bolt & Nut
3143AS	All Sizes	ALL STAINLESS COLLAR LEAK	-	-	-	2	2	-	-	-	Not Applicable
3146	1/2" - 1 1/2"	POWERCOPPER CLAMP	1	-	-	-	-	-	-	-	3/8 X 3 Carriage Bolt, Nut & Washer
3146	2" - 2 1/2"	POWERCOPPER CLAMP	1	-	-	-	-	-	-	-	7/16 X 4 Carriage Bolt, Nut & Washer
3146	3" - 4"	POWERCOPPER CLAMP	1	-	-	-	-	-	-	-	Not Applicable
3151	1/2" - 1 1/2"	PATCH CLAMP	1	-	-	2	-	3	-	4	3/8 X 3 Carriage Bolt, Nut & Washer
3151	2" - 5"	PATCH CLAMP	1	-	-	2	-	3	-	4	7/16 X 4 1/4 Carriage Bolt, Nut & Washer
3151	6" - 12"	PATCH CLAMP	1	-	-	2	-	3	-	4	7/16 X 5 Carriage Bolt, Nut & Washer
3151AS	All Sizes	ALL STAINLESS PATCH CLAMP	-	1	-	-	2	-	-	3	Not Applicable
3151HD	All Sizes	HEAVY DUTY PATCH CLAMP	-	-	2	-	-	-	4	-	5/8 X 6 Track Head Bolt & Nut
3152 - 3153	1/2" - 1 1/2"	SMALL DIAMETER COMPLETE CIRCLE	1	-	-	2	-	3	-	4	3/8 X 3 Carriage Bolt, Nut & Washer
3152 - 3153	2"	SMALL DIAMETER COMPLETE CIRCLE	1	-	-	2	-	3	-	4	7/16 X 4 1/4 Carriage Bolt, Nut & Washer

REPAIR CLAMPS ADD-ON LIST PRICES

Outlet Size	Thread Type	Add-On List Price	End Code	Minimum Pipe OD	Minimum Clamp Length
3/4"	CC (AWWA)	\$ 99.90	B	2.38"	6"
1"	CC (AWWA)	\$ 99.90	D	2.38"	6"
1 1/4"	CC (AWWA)	\$ 156.60	F	2.88"	8"
1 1/2"	CC (AWWA)	\$ 156.60	H	3.50"	8"
2"	CC (AWWA)	\$ 191.70	J	4.50"	8"
3/4"	IP (NPT)	\$ 99.90	C	2.38"	6"
1"	IP (NPT)	\$ 99.90	E	2.38"	6"
1 1/4"	IP (NPT)	\$ 156.60	G	2.88"	8"
1 1/2"	IP (NPT)	\$ 156.60	I	3.50"	8"
2"	IP (NPT)	\$ 156.60	K	3.50"	8"
3"	IP (NPT)	\$ 419.40	O	6.63"	12"

To add-on a Tapped Outlet to a Repair Clamp, change the model number as noted above and specify the Tapped Clamp, Outlet Size and Thread Type. Combine the Clamp and Outlet List Prices for a total price. Example: 3121 6C X 12 Tapped Clamp with a 3/4"CC Outlet. Order 3131-6C X 12 X 3/4CC. Part Number: 313106C120AB



Component Description	Part Number	Product Size	List Price	Unit
Fluoro-coat bolt and nut list add on (5/8")	-8	All sizes	\$ 4.70	Per Bolt
Electrical Conductivity Buttons	-3	8 - 16" Width	\$ 45.60	Per Clamp
Electrical Conductivity Buttons	-3	20 - 36"	\$ 55.50	Per Clamp
Never Gall bolt and nut list add on (5/8")	-NG	All sizes	\$ 7.70	Per bolt

Model Number	
Repair Clamp	Tapped Clamp
3121	3131
3122	3132
3121AS	3131AS
3122AS	3132AS

How to order: Add part number -3 at end of part number
Example: 312106C120AA-SB3

BELL JOINT PARTS

Component Description	Model Number	Product Size	Part Number	List Price	Unit
5/8 X 12 Double End Stud Bolt & Nut	3232	3"-12"	V3232001	\$ 36.00	Each
3/4 X 15 Double End Stud Bolt & Nut	3232*	16"-30"	V3232002	\$ 61.00	Each
1/2 X 1 3/4 Hex Head Segment Bolt & Nut	3232*	4"-8"	V3231005	\$ 14.80	Each
5/8 X 2 Head Segment Bolt & Nut	3232	12"-30"	V3231003	\$ 23.00	Each
5/8 X 1 3/4 T-Head Segment Bolt & Nut	3232	12"-30"	V3231004	\$ 24.20	Each
3/4 X 18 Double End Stud Bolt & Nut**	3232	14"-20"	V3232006	\$ 48.80	Each
3/4 X 20 Double End Stud Bolt & Nut**	3232	24"-30"	V3232007	\$ 45.60	Each
Bell Joint Gasket	3232	3"	V3230031	\$ 64.20	Each
Bell Joint Gasket	3232	4"	V3230041	\$ 64.20	Each
Bell Joint Gasket	3232	6"	V3230061	\$ 103.30	Each
Bell Joint Gasket	3232	8"	V3230081	\$ 133.40	Each
Bell Joint Gasket	3232	10"	V3230101	\$ 165.20	Each

Component Description	Model Number	Product Size	Part Number	List Price	Unit
Bell Joint Gasket	3232	12"	V3230121	\$ 197.00	Each
Bell Joint Gasket	3232	14"	V3230141	\$ 215.10	Each
Bell Joint Gasket	3232	16"	V3230161	\$ 233.20	Each
Bell Joint Gasket	3232	18"	V3230181	\$ 267.20	Each
Bell Joint Gasket	3232	20"	V3230201	\$ 301.10	Each
Bell Joint Gasket	3232	24"	V3230241	\$ 392.10	Each
Bell Joint Gasket	3232	30"	V3230301	\$ 450.90	Each

* Also use on Model 3233 A/C Coupling Leak Repair Clamp

** When ordering these sizes for use on C900 installations you must use these bolts

BELL JOINT CLAMP BOLT QUANTITY CHART

Repair Clamp Description	Model Number	Pipe Size	Clamp Size											Replacement Bolt Description		
			3"	4"	6"	8"	10"	12"	14"	16"	18"	20"	24"		30"	
Caulked and Push-On Cast Iron or Ductile Iron Pipe Joints	3232	4" - 8"	-	4	4	4	-	-	-	-	-	-	-	-	-	1/2 X 1 3/4 Segment Bolt & Nut
		12"-30"	-	-	-	-	-	6	6	6	6	8	8	8	5/8 X 1 3/4 T-Head Bolt & Nut	
			-	-	-	-	-	6	6	6	6	8	8	8	5/8 X 2 Hex Head Bolt & Nut	
		3"-12"	4	4	6	6	8	9	-	-	-	-	-	-	5/8 X 12 Double End Stud Bolt & Nut	
C900 Pipe Joints	3232	16"-30"	-	-	-	-	-	-	9	9	9	12	12	16	3/4 X 15 Double End Stud Bolt & Nut	
		14"-20"	-	-	-	-	-	-	9	9	9	12	12	16	3/4 X 18 Double End Stud Bolt & Nut	
		24"-30"	-	-	-	-	-	-	-	-	-	-	12	16	3/4 X 20 Double End Stud Bolt & Nut	
Class 150 A/C Coupling Pipe Joints	3233	4"-8"	-	4	4	4	-	-	-	-	-	-	-	-	1/2 X 1 3/4 Segment Bolt & Nut	
			-	4	6	6	-	-	-	-	-	-	-	-	3/4 X 15 Double End Stud Bolt & Nut	

SADDLE & SLEEVE PARTS

SERVICE SADDLE AND TAPPING SLEEVES

Component Description	Model Number	Product Size	Part Number	List Price	Unit
5/16 X 1 1/2 Bronze Screw & Nut	3401 - 3402	1 1/4" - 3"	V3401002	\$ 12.60	Each
3/8 X 2 Bronze Screw & Nut	3401	3 1/2" - 8"	V3401003	\$ 9.30	Each
	3403	10" - 12"			
3/8 X 3 Bronze Screw, Nut & Washer	3401	4"-12"	V3401011	\$ 11.90	Each
	3403	All Sizes			
1/2 X 3 Bronze Hex Head Bolt & Washer	3407	All Sizes	V3401010	\$50.00	Each
Small TwinSeal Gasket (1/2" - 1" Outlets)	Bronze Saddle	All Sizes	V3401004	\$ 4.70	Each
Large TwinSeal Gasket (1 1/4" - 2" Outlets)	Bronze Saddle	All Sizes	V3401005	\$ 12.20	Each
3/4 X 9 Alloy Track Head Bolt & Nut	3460/3490CS	8-24"/14-24"	V3460002	\$ 22.30	Each
3/4 X 9 Stainless Steel Tack Head Bolt & Nut	3460/3490AS	8-24"/14-24"	V3460003	\$ 31.60	Each
5/8 X 7 Alloy Track Head Starter Bolt, Nut & Washer	3460/3490CS	4-6"/4-16"	V3100403	\$ 8.60	Each

Component Description	Model Number	Product Size	Part Number	List Price	Unit
5/8 X 7 Stainless Steel Track Head Starter Bolt, Nut & Washer	3460AS/3490	4-16"	V3490001A	\$ 20.10	Each
Flange Face Gasket	3480/3490/3460	2"	V34900002	\$ 16.20	Each
Flange Face Gasket	3480/3490/3460	3"	V34900003	\$ 17.60	Each
Flange Face Gasket	3480/3490/3460	4"	V34900004	\$ 20.70	Each
Flange Face Gasket	3480/3490/3460	6"	V34900006	\$ 21.60	Each
Flange Face Gasket	3480/3490/3460	8"	V34900008	\$ 29.50	Each
Flange Face Gasket	3480/3490/3460	10"	V34900010	\$ 47.80	Each
Flange Face Gasket	3480/3490/3460	12"	V34900012	\$ 58.70	Each
Flange Face Gasket	3480/3490/3460	16"	V34900016	\$ 138.90	Each

TAPPING SLEEVE BOLT QUANTITY CHART

MODEL	Pipe Size	Outlet Size								Bolt Size
		2	3	4	6	8	10	12	16	
3460 CARBON STEEL SLEEVE	4" - 6"	8	8	8	8					5/8" X 7"
	8" - 24"	6	6	6	6	8	10	10	14	3/4" X 9"
SLEEVE WIDTH 3460		12	12	12	12	16	20	20	28	
3490/3460 ALL STAINLESS STEEL	4" - 12"	8	8	10	10	12	16	20		5/8" X 7"
	14" - 16"	8	8	10	10	12	16			5/8" X 7"
	14" - 16"							20	24	3/4" X 9"
	18" - 24"	8	8	10	10	12	16	20	24	3/4" X 9"
SLEEVE WIDTH 3490		12	12	16	16	20	24	30	36	

Model	Pipe Size	Outlet Size							Stud Size
		2	3	4	6	8	10	12	
3480	4" - 14"	6	6	8	8	10			5/8"
	10" - 14"						12	14	3/4"
	16" - 24"	9	9						5/8"
	16" - 18"							14	5/8"
	16" - 24"			15	15	18	18		3/4"
	20" - 24"							18	3/4"
SLEEVE WIDTH 3480		12	12	16	16	20	20	24	

COUPLING PARTS

Component Description	Model Number	Product Size	Part Number	List Price	Unit
5/8 X 3 T-Head Bolt & Nut	3521	4"	V3500001	\$ 14.80	Each
5/8 X 5 3/4 T-Head Bolt & Nut			V3500004	\$ 23.20	Each
5/8 X 4 1/2 Alloy Track Head Bolt & Nut	3520	6" - 12"	V3450001	\$ 18.20	Each
	3521				Each
3/4 X 3 1/2 Hex Head Bolt & Nut	3521	6" - 8"	V3500002	\$ 19.50	Each
7/8 X 4 Hex Head Bolt & Nut		10" - 12"	V3500003	\$ 29.80	Each
5/8 X 7 Alloy Track Head Bolt & Nut	3501	2" - 2 1/2"	V3100403	\$ 8.20	Each
5/8 X 9 1/2 Alloy Track Head Bolt & Nut		3" - 10"	V3500006	\$ 14.60	Each
5/8 X 9 1/2 Stainless Steel Track Head Bolt & Nut			V3500006S	\$ 37.30	Each
5/8 X 11 Alloy Track Head Bolt & Nut	3501/3506	12" - 20"/2"-6"	V3500007	\$ 14.90	Each
5/8 X 10.5 Stainless Steel Track Head Bolt & Nut			V3500007S	\$ 40.30	Each
5/8 X 15 Alloy Track Head Bolt & Nut	3506	8" - 10"	V3500020	\$ 25.80	Each
5/8 X 15 Stainless Steel Track Head Bolt & Nut			V3500020S	\$ 52.00	Each
5/8 X 16 Alloy Track Head Bolt & Nut	3501/3506	24" - 30"/12"-14"	V3500008	\$ 15.30	Each
5/8 X 16 Stainless Steel Track Head Bolt & Nut			V3500008S	\$ 46.70	Each
3/4 X 24 Alloy Track Head Bolt & Nut	3501	36" - 48"	V3500023	\$ 43.80	Each
3/4 X 24 Stainless Steel Track Head Bolt & Nut			V3500023S	\$ 133.10	Each
3/4 x 18 Alloy Track Head Bolt & Nut	3506	16"	V3500022	\$ 43.00	Each
3/4 x 18 Stainless Steel Track Head Bolt & Nut			V3500022S	\$ 135.10	Each
3/8 NPT Stainless Steel Anchor Stud for Adapters	3520	4" - 12"	V35210AS	\$ 184.40	Each
	3521				Each
O-Ring For Flange Adapter	3521	4"	V3521041	\$ 36.00	Each
O-Ring For Flange Adapter		6"	V3521061	\$ 38.00	Each
O-Ring For Flange Adapter		8"	V3521081	\$ 38.50	Each
O-Ring For Flange Adapter		10"	V3521101	\$ 42.80	Each
O-Ring For Flange Adapter		12"	V3521121	\$ 51.90	Each
End Cap (Only) with 2" NPT Plug	3501	4"	V3500E04	\$ 57.50	Each
End Cap (Only) with 2" NPT Plug		6"	V3500E06	\$ 65.40	Each
End Cap (Only) with 2" NPT Plug		8"	V3500E08	\$ 125.70	Each
End Cap (Only) with 2" NPT Plug		10"	V3500E10	\$ 135.90	Each
End Cap (Only) with 2" NPT Plug		12"	V3500E12	\$ 182.50	Each
3/4 X 11 Alloy Track Head Bolt & Nut	3501		V3500025	\$ 21.60	Each
3/4 X 11 Stainless Steel Track Head Bolt & Nut			V3500025S	\$ 60.70	Each
3/4 X 15 Alloy Track Head Bolt & Nut			V3500024	\$ 22.90	Each
3/4 X 15 Stainless Steel Track Head Bolt & Nut			V3500024S	\$ 68.50	Each

COUPLING / ADAPTER BOLT QUANTITY CHART

Model	Pipe Size	Coupling / Adapter Size																Replacement Bolt Description
		2	2 1/2	3	4	6	8	10	12	14	16	18	20	24	30	36	48	
3501	2" - 2 1/2"	2	2															5/8 X 7 1/2 Track Head Bolt & Nut
	3" - 10"			3	4	5	6	7										5/8 X 9 1/2 Track Head Bolt & Nut
	12" - 14"								8	9								5/8 X 11 Track Head Bolt & Nut
	16" - 20"										10	12	12					3/4 X 11 Track Head Bolt & Nut
	24"													14				3/4 X 15 Track Head Bolt & Nut
	30"														16			3/4 X 18 Track Head Bolt & Nut
	36"-48"															16	20	3/4 X 24 Track Head Bolt & Nut
3501LB	2" - 12"	2	2	3	4	5	6	7	8									5/8 X 16 Track Head Bolt & Nut
	14" - 20"									9	10	12	12					5/8 X 18 Track Head Bolt & Nut
	24"												14					5/8 X 24 Track Head Bolt & Nut
3506	2" - 6"	2		3	4	5												5/8 X 11 Track Head Bolt & Nut
	8" - 10"						6	7										5/8 X 15 Track Head Bolt & Nut
	12" - 14"								8	10								5/8 X 16 Track Head Bolt & Nut
	16"											10						3/4 X 18 Track Head Bolt & Nut
3520	4" - 16"				4	5	6	7	8		10						5/8 X 4 1/2 Track Head Bolt & Nut	
3521	4"				8													5/8 X 3 T-Head Bolt & Nut
	4"				4													5/8 X 5 3/4 T-Head Bolt & Nut
	6" - 12"					5	6	7	8									5/8 X 4 1/2 Track Head Bolt & Nut
	6" - 8"					8	8											3/4 X 3 1/2 Hex Head Bolt & Nut
	10" - 12"								12	12								7/8 X 4 Hex Head Bolt & Nut

CAST COUPLINGS- TRANSITION COMPONENTS

Nom Pipe Size	Color Code	Part Number	Gland Price	Part Number	Gasket Price	Part Number	Barrel Price
2	BLUE	V3500201	\$ 23.60	V3500202	\$ 12.40	V3500200	\$ 36.70
2 1/2	BLUE	V3500251	\$ 24.00	V3500252	\$ 22.70	V3500250	\$ 43.50
3A	BLUE	V35003A1	\$ 30.50	V35003A2	\$ 27.50	V3500300	\$ 52.90
3B	BLACK	V35003B1		V35003B2			
3C	GREY	V35003C1		V35003C2			
4AA	GREEN	V35004AA1	\$ 32.30	V35004AA2	\$ 36.20	V3500400	\$ 66.30
4A	BLUE	V35004A1		V35004A2			
4B	BLACK	V35004B1		V35004B2			
4C	GREY	V35004C1		V35004C2			
40D	WHITE	V350040D1		V350040D2			
6AA	GREEN	V35006AA1	\$ 52.30	V35006AA2	\$ 48.10	V3500600	\$ 88.30
6A	BLUE	V35006A1		V35006A2			
6B	BLACK	V35006B1		V35006B2			
6C	GREY	V35006C1		V35006C2			
60D	WHITE	V350060D1		V350060D2			
8AA	GREEN	V35008AA1	\$ 69.00	V35008AA2	\$ 55.30	V3500800	\$ 122.90
8A	BLUE	V35008A1		V35008A2			
8B	BLACK	V35008B1		V35008B2			
8C	GREY	V35008C1		V35008C2			
80D	WHITE	V350080D1		V350080D2			

CAST COUPLINGS- TRANSITION COMPONENTS

Nom Pipe Size	Color Code	Part Number	Gland Price	Part Number	Gasket Price	Part Number	Barrel Price
10A	BLUE	V35010A1	\$ 75.90	V35010A2	\$ 70.30	V3501000	\$ 210.80
10B	BLACK	V35010B1		V35010B2			
10C	GREY	V35010C1		V35010C2			
12A	BLUE	V35012A1	\$ 95.30	V35012A2	\$ 81.00	V3501200	\$ 254.10
12B	BLACK	V35012B1		V35012B2			
12C	GREY	V35012C1		V35012C2			

Nom Pipe Size	Color Code	Part Number	Gland Price	Part Number	Gasket Price	Part Number	Barrel Price
14A	BLUE	V35014A1	\$ 205.80	V35014A2	\$ 135.40	V3501400	\$ 427.10
14B	BLACK	V35014B1		V35014B2			
14C	GREY	V35014C1		V35014C2			
16A	BLUE	V35016A1	\$ 260.70	V35016A2	\$ 190.80	V3501600	\$ 445.80
16B	BLACK	V35016B1		V35016B2			
16C	GREY	V35016C1		V35016C2			
18A	BLUE	V35018A1	\$ 423.50	V35018A2	\$ 240.00	V3501800	\$ 791.80
18B	BLACK	V35018B1		V35018B2			
18C	GREY	V35018C1		V35018C2			
20A	BLUE	V35020A1	\$ 492.20	V35020A2	\$ 323.50	V3502000	\$ 795.90
20B	BLACK	V35020B1		V35020B2			
20C	GREY	V35020C1		V35020C2			
24A	BLUE	V35024A1	\$ 789.40	V35024A2	\$ 554.60	V3502400	\$ 1,360.00
24B	BLACK	V35024B1		V35024B2			
30A	BLUE	V35030A1	\$ 1,040.50	V35030A2	\$ 767.90	V3503000	\$ 3,329.10
30B	BLACK	V35030B1		V35030B2			
36AA	GREEN	V35036AA1	\$ 3,775.10	V35036AA2	\$ 774.70	V3503600	\$ 6,799.40
36A	BLUE	V35036A1		V35036A2			
36B	BLACK	V35036B1		V35036B2			
36C	GREY	V35036C1		V35036C2			
48AA	GREEN	V35048AA1	\$ 4,719.80	V35048AA2	\$ 784.40	V3504800	\$ 9,655.50
48A	BLUE	V35048A1		V35048A2			
48B	BLACK	V35048B1		V35048B2			
48C	GREY	V35048C1		V35048C2			

MJ GASKET X DI GASKET

Size	Part Number	List Price
4"	V20-420-30400	\$ 10.40
6"	V20-420-30600	\$ 12.80
8"	V20-420-30800	\$ 17.60
10"	V20-420-31000	\$ 22.00
12"	V20-420-31200	\$ 26.40

GASKET: SBR, with a temperature range of -40°F to +200°F per ASTM D2000. Other material available.
Rubber compound certified to NSF-61.
Meet AWWA C111.

HOW TO ORDER: V20-420-306000 FOR 6" MJ gasket.