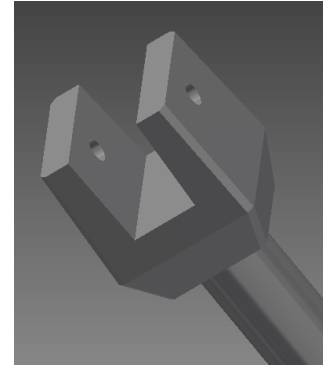
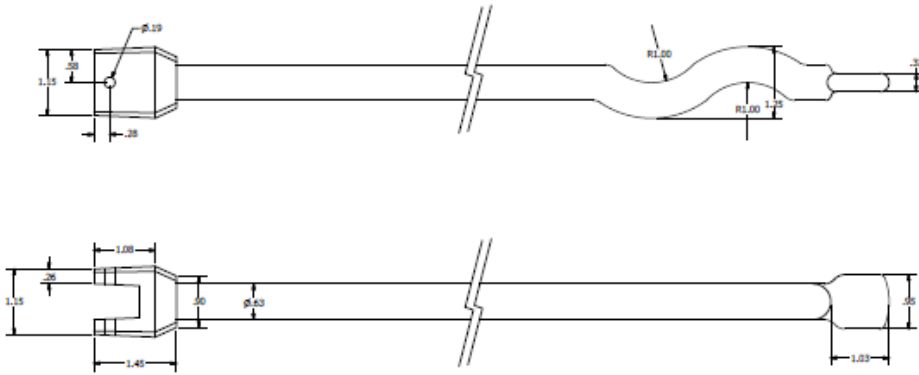
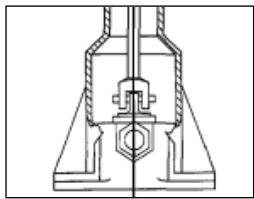


Scope

Specification of the stationary key rod assembly 304 stainless steel. In sizes 1.25” & 2”, designed to latch to the valve gate to open & close. The supplied key rods furnished shall be equivalent to the key rod as manufactured by PowerSeal Pipeline Products Corporation.

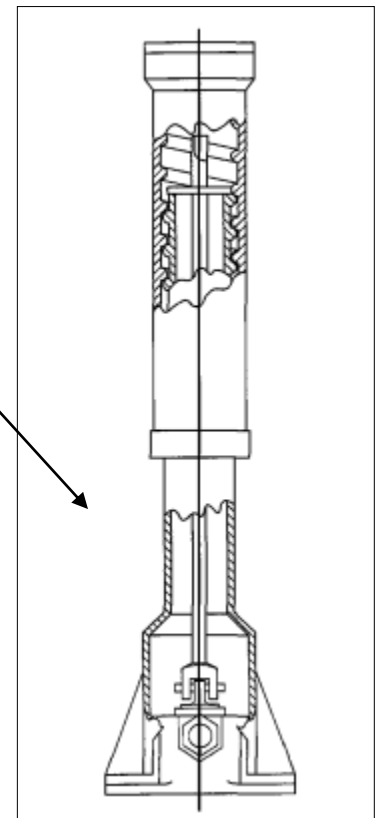


Key Rod Head



Installation

Final assembly



BODY:
FINISH: Stainless Steel type 304 ASTM A240
Machined and Forged

Stationary Key Rod Specification

All stationary key rods installed on valves should be done utilizing a PowerSeal key rod design or an approved equal.

The key box rod shall consist of two parts;

- ROD - Forged stainless steel type 304 ASTM A240
- HEAD – Cast stainless steel type 304 ASTM A240

The head shall be TIG welded to the rod and mechanically passivated by way of sandblasting.